

# LEDVANCE Luminaires

## DUAL SELECTABLE MINI WALL PACK 2A

VALUE CLASS™

### Application

The Mini Wall Pack luminaires are an environmentally preferable LED alternative to traditional HID luminaires, offering up to 85% in energy savings. The Dual Selectable Mini Wall Pack offers three lumen outputs and three light colors in the same product, making it a versatile product for both commercial or residential applications.

### Benefits and Features

- Lightweight, compact design
- Integral photocell included
- 3000K, 4000K, or 5000K selectable color temperature
- CRI>80
- Selectable wattage and lumens: 10/20/30W; 1300/2600/3900 lumens
- DLC 5.1 Premium Listing assures high energy efficiency and qualifies this product for utility rebates

### Electrical

- 120-347VAC
- Power Factor > 0.9
- THD < 20%
- 0-10V Dimmable

### Rated Life

- 100,000 hours (L<sub>70</sub>)

### Warranty

- 5 year
- NLB Trusted Warranty Program

### Operating Temperature

- -40°F to + 122°F (-40°C to +50°C)



### Wattage Comparison

Traditional Source	Traditional System Wattage	LED System Wattage	Energy Savings
65W Halogen	65	10	85%
75W Halogen	75	20	73%
90W Halogen	90	20	78%
35W HPS	42	20	52%
50W HPS	62	20	68%
100W Inc	100	20	80%
150W Inc	150	30	80%
70W HPS	91	30	67%
100W HPS	120	30	75%
100W MH	130	30	77%

### Certifications and Listings

- cULus listed to UL1598 standards
- RoHs
- FCC
- IP65, wet location
- DLC 5.1 Premium

### Installation

- Wall mount installation



Catalog #	Type
Project	
Comments	
Prepared by	

Ordering Guide

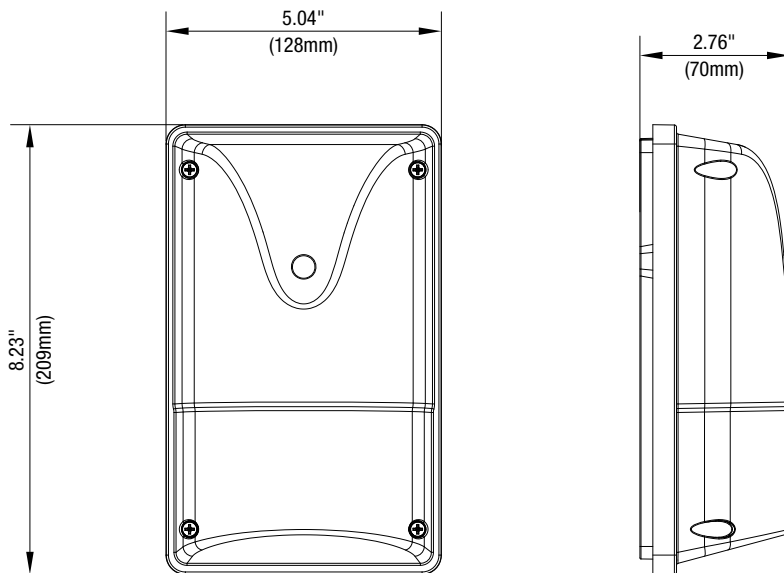
MWLPAKN	2A /	S030	UNH	D	8	SC2 /	XX /	P
Product Name	Generation	Wattage	Voltage	Dimming	CRI	Color Temperature	Color/ Finish	Options
MWLPAKN= Mini Wall Pack Non-Cutoff	2A= Generations 2A	S030= 10/20/30W	UNH= 120-347V	D= 0-10V Dimming	8= >80 CRI	SC2= 3000/4000/5000K	BZ= Bronze BL= Black WH= White	P= Photocell

Ordering Information

Item Number	Ordering Abbreviation	Power (W)	Input Voltage (V)	Dimming	CRI	Color Temp (CCT)	Distribution	Total Fixture Lumens (lm)	LPW	Bug Rating	Color/ Finish	Options
63475	MWLPAKN2A/S030UNHD8SC2/BZ/P	10/20/30W	120-347	0-10V	>80	3000/4000/5000K	Non-Cutoff	1300/2600/ 3900	UP TO 130	B1U3G2	Bronze	Photocell
63654	MWLPAKN2A/S030UNHD8SC2/BL/P	10/20/30W	120-347	0-10V	>80	3000/4000/5000K	Non-Cutoff	1300/2600/ 3900	UP TO 130	B1U3G2	Black	Photocell
62418	MWLPAKN2A/S030UNHD8SC2/WH/P	10/20/30W	120-347	0-10V	>80	3000/4000/5000K	Non-Cutoff	1300/2600/ 3900	UP TO 130	B1U3G2	White	Photocell

Physical Information

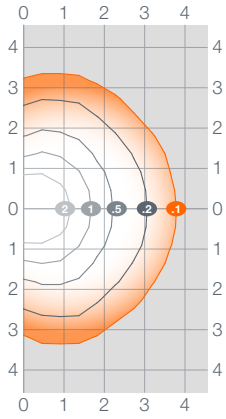
Luminaire Description	Height in (mm)	Length in (mm)	Width in (mm)	Weight lb (kg)
30W	8.23 (209)	5.04 (128)	2.76 (70)	1.3 (0.59)



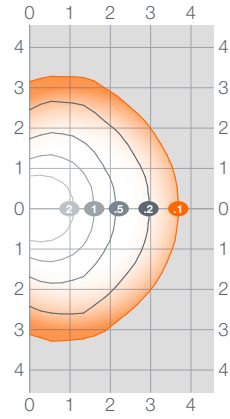
## Photometric Information

Horizontal ISO foot-candle plot

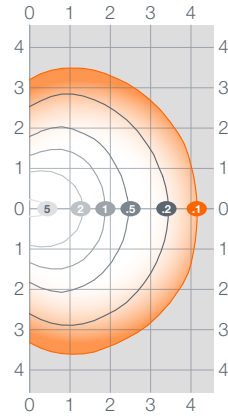
**10W fixture at 10'  
mounting height**



**20W fixture at 15'  
mounting height**



**30W fixture at 15'  
mounting height**



LEDVANCE LLC  
181 Ballardvale Street, Suite 203  
Wilmington, MA 01887 USA  
Phone 1-800-LIGHTBULB (1-800-544-4828)  
[www.ledvanceUS.com](http://www.ledvanceUS.com)

LEDVANCE is a registered trademark. All other trademarks are those of their respective owners. Specifications subject to change without notice.



SCAN TO FOLLOW US  
ON SOCIAL MEDIA

© 2023 LEDVANCE LLC

3 of 3

