

# LEDVANCE LUMINAIRES

## DUAL SELECTABLE STRIP 3A

### LEDVANCE LUMINAIRE SPECIFICATION DATA

Catalog #	Comments
Project	
Type	
Prepared by	

**PERFORMANCE CLASS™**



### APPLICATION

Ideal in retrofit and new installations, the LEDVANCE Dual Selectable Strip 3A Luminaire is intended for retail, manufacturing, warehouse, office, education, and low-bay applications.

### BENEFITS & FEATURES

- CCT and Wattage Selectable
- Selection switches are easily accessible on the outside of the fixture
- Available in 2ft, 4ft, and 8ft lengths
- Light engine and lens module feature toolless removal and secure snap-fit for fast, efficient installation
- End-to-end joiner bracket for continuous row mounting, V-hook mounting bracket, and split junction box cover included
- Factory installed polarized wiring system, ready for single circuit row mounted through wiring. No additional wiring needed; save time, material and money
- All fixtures are pre-wired for optional field installable internal microwave or external PIR motion/daylight sensors
- Compatible with field installable LEDVANCE LINK™ components
- Optional 8W emergency battery back-up (made to order)
- DLC 5.1 Listed
- Diffuse Acrylic lens provides smooth, even illumination
- White powder coated metal body
- CRI>80



## ELECTRICAL

- 120-347 VAC
- Power Factor > 90%
- THD < 20%
- 0-10V Dimmable down to 10%
- 2.5kV surge protection
- UL Damp rated

## RATED LIFE

- >100,000 hours (L<sub>70</sub>) @25°C ambient

## OPERATING TEMPERATURE

- 13°F to + 104°F (-25°C to + 40°C)

## WARRANTY

- 5 year
- NLB Trusted Warranty Program

## INSTALLATION

- Can be surface mounted or suspended with included V-hook mounting brackets
- End-to-end joiner brackets and split junction box cover included
- Pre-wired for simple single-circuit row mounting. (Refer to Installation Instructions for maximum circuit loading)

## UNIQUE SELLING POINTS

- 3500, 4000, 5000K Selectable
- 4 wattage settings per fixture
- Field installable PIR or Microwave sensors
- Pre-wired for single circuit continuous row mounting

## MOUNTING ACCESSORIES

- Optional aircraft cable
- Optional chains
- Optional wire guards

## WATTAGE COMPARISON

TRADITIONAL SOURCE	TRADITIONAL SYSTEM WATTAGE	LED SYSTEM WATTAGE	ENERGY SAVINGS	SIZE
1x32 T8	28	15	46%	2'
1x32 T8	28	20	29%	2'
1x32 T8	28	22	21%	4'
2x28W T8	49	25	49%	2'
2x32W T8	56	30	46%	2'
2x32W T8	56	35	38%	4'
3x32W T8	75	45	40%	4', 8'
2x54W T5	87	55	37%	4'
4x28W T8	97	65	33%	8'
4-lamp 32T8	112	85	24%	8'
4x54W T5HO	220	100	55%	8'

## ORDERING GUIDE

STRIP	3A /	SXXX	UNH	D	8	SC7 /	XX /	WH /	X
PRODUCT NAME	GENERATION	SELECTABLE WATTAGE	INPUT VOLTAGE	DIMMING	CRI	SELECTABLE CCT	SIZE	COLOR	OPTIONS
Strip	3A	S030= 15/20/25/30W S055= 22/35/45/55W S100= 45/65/85/100W	UNH= 120-347V	D= 0-10V Dimming	8= 80+	SC7= 3500/4000/5000	24= 2ft 48= 4ft 96= 8ft	WH= White	E= Emergency Back-up Battery

## ORDERING INFORMATION

ITEM #	ORDERING ABBREVIATION	POWER (W)	INPUT VOLTAGE (V)	DIM. (V)	CRI	COLOR TEMP	TOTAL FIXTURE LUMENS (LM) @25C & 4000K	LPW @25C & 4000K	SIZE	DLC	OPTIONS	MTO*
63785	STRIP3A/S030UNHD8SC7/24/WH	15/20/25/30	120-347	0-10	>80	3500/4000/5000	1950/2600/3250/3900	130	2ft	Std	-	-
63786	STRIP3A/S055UNHD8SC7/48/WH	22/35/45/55	120-347	0-10	>80	3500/4000/5000	2860/4500/5850/7150	130	4ft	Std	-	-
63787	STRIP3A/S100UNHD8SC7/96/WH	45/65/85/100	120-347	0-10	>80	3500/4000/5000	5850/8450/11050/13000	130	8ft	Std	-	-
66027	STRIP3A/S030UNHD8SC7/24/WH/D†	15/20/25/30	120-347	0-10	>80	3500/4000/5000	1950/2600/3250/3900	130	2ft	Std	Microwave Motion/Daylight Sensor†	√
66028	STRIP3A/S055UNHD8SC7/48/WH/D†	22/35/45/55	120-347	0-10	>80	3500/4000/5000	2860/4500/5850/7150	130	4ft	Std	Microwave Motion/Daylight Sensor†	√
66029	STRIP3A/S100UNHD8SC7/96/WH/D†	45/65/85/100	120-347	0-10	>80	3500/4000/5000	5850/8450/11050/13000	130	8ft	Std	Microwave Motion/Daylight Sensor†	√
63980	STRIP3A/S055UNHD8SC7/48/WH/E	22/35/45/55	120-347	0-10	>80	3500/4000/5000	2860/4500/5850/7150	130	4ft	Std	Emergency Battery Back-up††	√
63981	STRIP3A/S100UNHD8SC7/96/WH/E	45/65/85/100	120-347	0-10	>80	3500/4000/5000	5850/8450/11050/13000	130	8ft	Std	Emergency Battery Back-up††	√

\*Made to Order

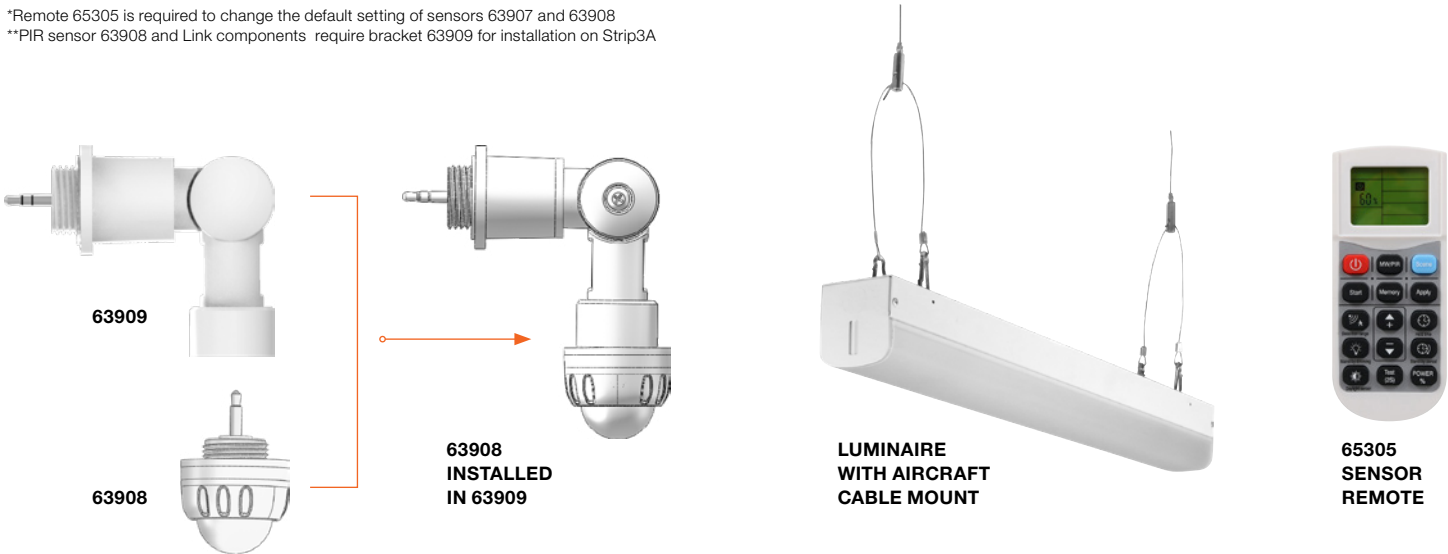
†Sensor can also be ordered separately and field installed

††8W Emergency Back-up Battery provides 1000 lumens for 90 minutes

## ACCESSORIES

ITEM #	ORDERING ABBREVIATION	ITEM DESCRIPTION
63906	CABLEMOUNT/10FT	Adjustable aircraft cable mount (10 feet, 1 Pair)
60573	LNHIBA2A/CHAINMT	Chain Mount (5 foot, 1 pair)
63907*	MOTIONDAYSENSOR/MICRO/6M	Internal, field installed Microwave Motion/Daylight Sensor, 19.69 foot max. mounting height, default settings can only be changed using Remote 65305
63908*	MOTIONDAYSENSOR/PIR/6M/PIN	External, field installed PIR Motion/Daylight Sensor, requires bracket 63909, 19.69 foot max. mounting height, default settings can only be changed using Remote 65305
63909**	PINBRACKET/LSHAPE/ADJUSTABLE	L-Shaped, adjustable bracket for PIR sensor 63908 and 3.5mm pin based LINK accessories
65305*	STRIP2A/REMOTE	Remote with screen for Microwave and PIR Motion Sensors (this is required to change the default settings of 63907 and 63908)
65416	STRIP2A/2/WG/WH	2ft Wire Guard
65417	STRIP2A/4/WG/WH	4ft Wire Guard
65418	STRIP2A/8/WG/WH	8ft Wire Guard
62630**	ADAPTER/AUX12V/BLE	LINK Bluetooth® Mesh low voltage controller – BLE enables fixture, requires bracket 63909
62634**	SENSORHB/PIRAUX12V/BLE	LINK Bluetooth® Mesh low voltage sensor & controller Bluetooth® – BLE enabled daylight/motion sensor, requires bracket 63909

\*Remote 65305 is required to change the default setting of sensors 63907 and 63908  
 \*\*PIR sensor 63908 and Link components require bracket 63909 for installation on Strip3A



DEFAULT MICROWAVE AND PIR MOTION SENSOR SETTINGS**	
Detection Area	100%
Hold Time	5 Minutes
Daylight Threshold	50 Lux
Stand-by Period	30 Minutes
Stand-by Dimming	30%

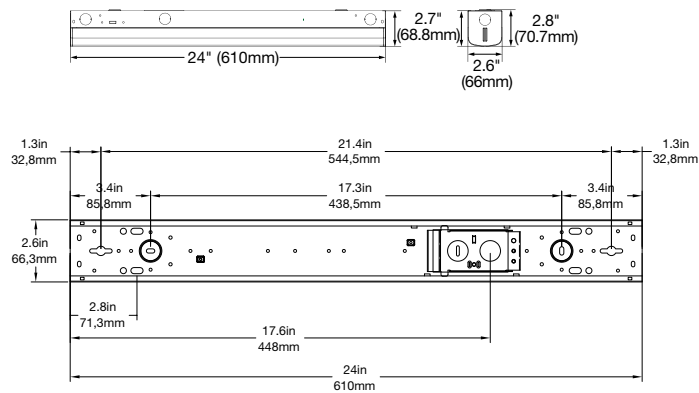
\*\*Changing the default sensor settings requires optional remote 65305



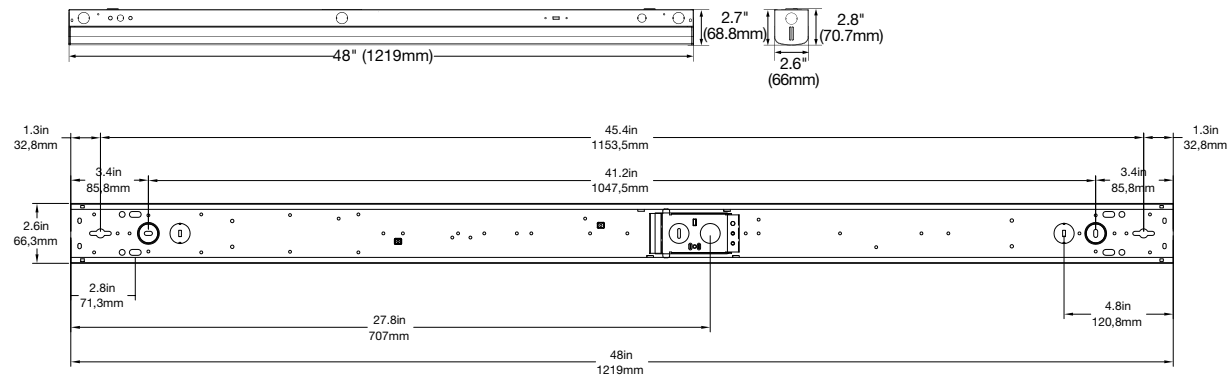
## PHYSICAL INFORMATION

LUMINAIRE DESCRIPTION	LENGTH IN (MM)	WIDTH IN (MM)	HEIGHT IN (MM)	WEIGHT LB (KG)
2' model	24 (610)	2.6 (66)	2.8 (70.7)	2.7 (1.22)
4' model	48 (1219)	2.6 (66)	2.8 (70.7)	4.7 (2.13)
8' model	96 (2438)	2.6 (66)	2.8 (70.7)	9.2 (4.17)

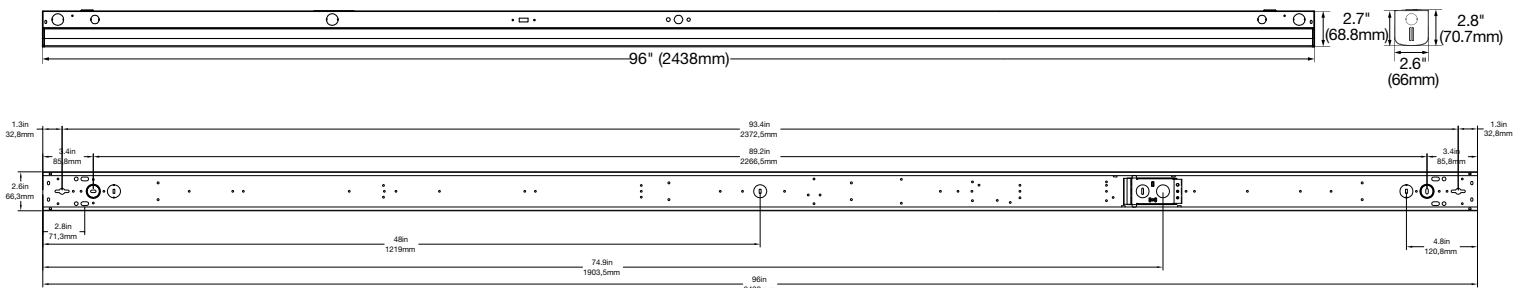
### 2' MODEL



### 4' MODEL



### 8' MODEL





LEDVANCE LLC  
181 Ballardvale Street, Suite 203  
Wilmington, MA 01887 USA  
Phone: 1-800-LIGHTBULB (1-800-544-4828)  
www.ledvanceUS.com

LEDVANCE is a registered trademark.  
The Bluetooth® word mark and logos are registered trademarks owned by the Bluetooth SIG, Inc. and any use of such marks by LEDVANCE LLC is under license. All other trademarks are those of their respective owners. Specifications subject to change without notice.



SCAN TO FOLLOW US  
ON SOCIAL MEDIA