

# AVAIL DIRECT SELECT

## Selectable 5CCT Remodel Downlight

The Avail Direct Select 5CCT downlight offers 5 selectable color temperatures in one compact package. The selectable CCT switch is located on the back of the downlight housing and can be adjusted on the fly. This feature is also beneficial when it comes time to remodel providing a simple way to update lighting to match a new color scheme or design.

- Excellent color rendering (90+ CRI)
- Aluminum housing with polycarbonate lens
- Five selectable color temperatures: 2700K / 3000K / 3500K / 4000K / 5000K
- Lumen output up to 1950 Lumens
- Available in 2", 4", and 6" sizes
- Dimmable with most TRIAC dimmers
- Spring loaded mounting clips
- Type IC and cETLus Listed for indoor, wet locations
- 50,000 hours rated life
- ENERGY STAR Certified and JA8 Compliant



### AVAIL DIRECT SELECT SERIES QUICK SPECS

<b>VOLTAGE</b>	120V AC, 60Hz
<b>WATTAGE</b>	6W / 10W / 15W
<b>LUMENS</b>	See Ordering Information
<b>CCT OPTIONS</b>	2700K / 3000K / 3500K / 4000K / 5000K
<b>CRI</b>	90+
<b>MOUNTING</b>	Recessed mount
<b>DIMMING</b>	TRIAC (10 - 100%)
<b>BEAM ANGLE</b>	37° (AVDRE2) / 95° (AVDRE4, AVDRE6, AD8RE)
<b>OPERATING TEMP</b>	-20°C (-4°F) to 40°C (104°F)
<b>CERTIFICATIONS</b>	Type IC; cETLus Listed - Wet Location
<b>RATED LIFE</b>	50,000 Hours

PROJECT:
TYPE:
LOCATION:
CATALOG NUMBER:

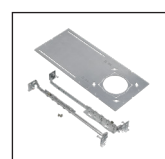


### AVAIL DIRECT SELECT ORDERING INFORMATION

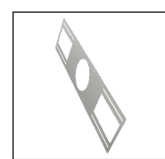
ITEM NUMBER	SIZE	FINISH	VOLTAGE	CCT	CRI	LM @ 27	LM @ 30	LM @ 35	LM @ 40	LM @ 50	WATTAGE	DIMMING
AVDRE2-5CCT-WH	2"	White	120V AC	5-CCT	90+	400	420	470	470	460	6W	10-100%
AVDRE4-5CCT-WH	4"	White	120V AC	5-CCT	90+	750	850	850	900	880	10W	10-100%
AVDRE6-5CCT-WH	6"	White	120V AC	5-CCT	90+	1100	1200	1200	1280	1200	15W	10-100%

### AVAIL DIRECT SELECT ACCESSORIES

ITEM NUMBER	DESCRIPTION
RP-DL3-RHYM	3.62" Steel Rough-in Plate with Hanger Bars
RP-DL4	4.8" New Construction Rough-in Plate
RP-2/4/6	6.25" Steel Rough-in Plate with Hangar Bars



RP-DL3-RHYM



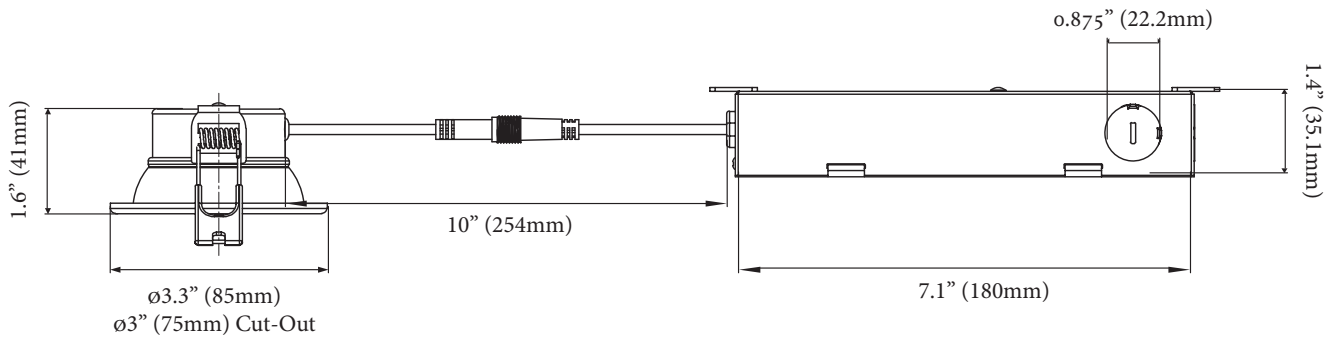
RP-EM8



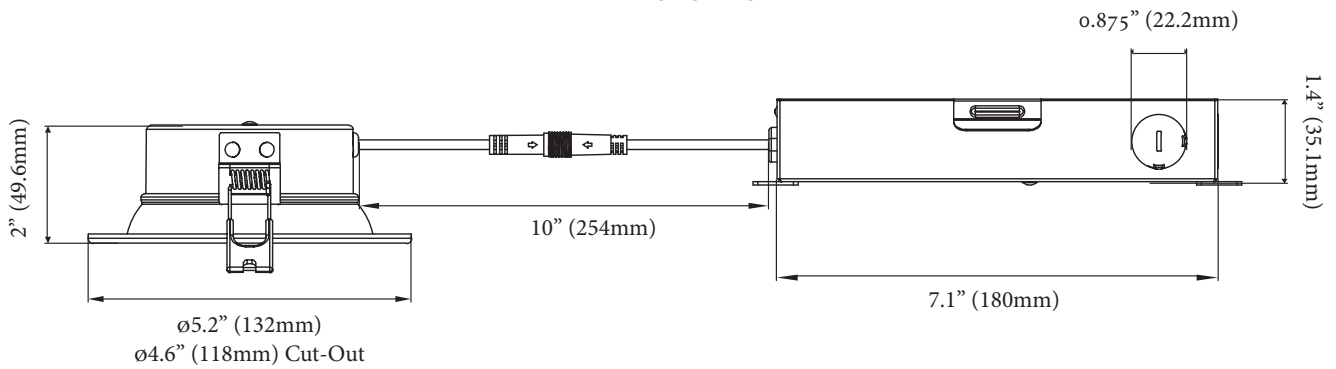
RP-2/4/6

**AVAIL DIRECT SELECT DIMENSIONS**

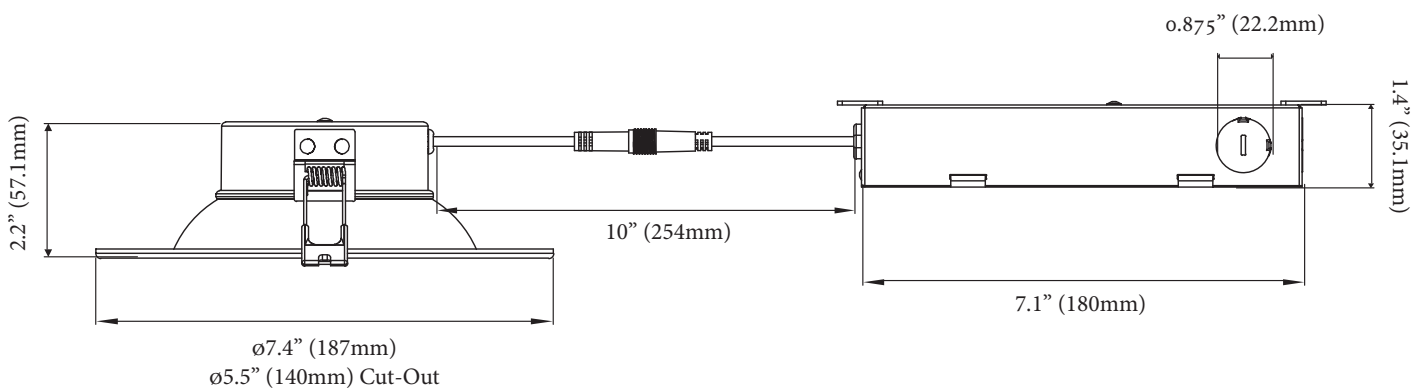
AVAIL DIRECT SELECT 2"



AVAIL DIRECT SELECT 4"



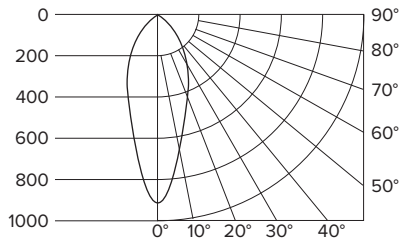
AVAIL DIRECT SELECT 6"



**AVAIL DIRECT SELECT PHOTOMETRICS**

**AD2RE**

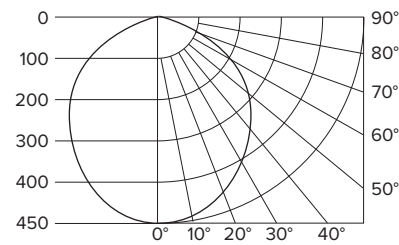
<b>PART NUMBER</b>	<b>AVDRE2-5CCT-WH</b>
<b>BEAM SPREAD</b>	37°
<b>LUMENS</b>	477Lm
<b>WATTAGE</b>	5.5W
<b>EFFICACY</b>	86.7Lm per watt
<b>CCT</b>	@4000K
<b>CRI</b>	90



Avg. Foot Candles	Distance From Light	Beam Dia.
19.8	5'	3.3'
13.7	6'	4.0'
10.1	7'	4.7'
7.7	8'	5.4'
6.1	9'	6.0'
4.9	10'	6.7'

**AD4RE**

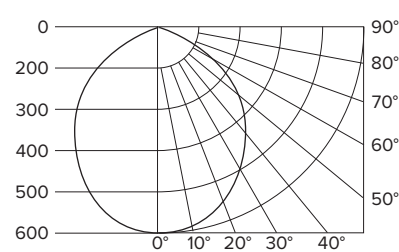
<b>PART NUMBER</b>	<b>AVDRE4-5CCT-WH</b>
<b>BEAM SPREAD</b>	96°
<b>LUMENS</b>	938Lm
<b>WATTAGE</b>	10W
<b>EFFICACY</b>	93.8Lm per watt
<b>CCT</b>	@4000K
<b>CRI</b>	90



Avg. Foot Candles	Distance From Light	Beam Dia.
6.7	5'	11.1'
4.7	6'	13.3'
3.4	7'	15.5'
2.6	8'	17.8'
2.1	9'	20.0'
1.7	10'	22.2'

**AD6RE**

<b>PART NUMBER</b>	<b>AVDRE6-5CCT-WH</b>
<b>BEAM SPREAD</b>	96.5°
<b>LUMENS</b>	1343Lm
<b>WATTAGE</b>	14.3W
<b>EFFICACY</b>	93.9Lm per watt
<b>CCT</b>	@4000K
<b>CRI</b>	90



Avg. Foot Candles	Distance From Light	Beam Dia.
9.5	5'	11.2'
6.6	6'	13.4'
4.9	7'	15.7'
3.7	8'	17.9'
2.9	9'	20.2'
2.4	10'	22.4'

**AVAIL DIRECT SELECT SERIES 2" RECOMMENDED DIMMERS**

BRAND	MODEL #	MAX CURRENT OUT (MA)	MIN CURRENT IN (MA)	DIMMING RANGE (%)
Lutron	CTCL-153P	134.4	0.47	0.3-97
Lutron	MACL-153MR-WH	133.3	5.37	3.8-96.2
Lutron	SCL-153P	134.4	0	0-97
Leviton	CL-6674	135.4	9.14	6.5-97.7
Lutron	TG-600PH-LA	135	8.87	6.4-97.5
Leviton	CL-6683	138.5	0	0-100
Leviton	IPL06	135.5	2.24	1.6-97.8
Lutron	DGCL-153P	134.5	0.06	0.04-97.1
Lutron	DVCL-153P	134.5	4.12	2.9-98.9
Leviton	CL-6672	137	12.9	9.3-98.7
Lutron	SLV-600P-IV	136.7	0.33	0.2-98.7
Lutron	MACL-153ME	134.8	16.81	12.1-97.3
Lutron	DVSCSELV-300P	137.3	11.04	7.9-99.1
Lutron	SELV300P-WH	137.9	10.93	7.9-99.5
Lutron	DV-600P	136.6	0.04	0.02-98.6
Lutron	DVELV-300P-WH	137.3	10.7	7.7-99.1
Lutron	SELV303P-WH	138.2	11.19	8-99.7
Lutron	DVWCL-153PH-WH	137.2	5.19	3.7-99.0
Leviton	6674-10W	135.7	19.45	14-97.9

Dimmer performance may vary in field application due to unknown external factors. Dimmers not included on the chart above are not necessarily incompatible; they have yet to be fully evaluated. Please reference dimmer manufacturer's instructions for more detailed information regarding performance and compatibility. Test data listed above is based on single lamp data. Recommended maximum 10 units connected to a single dimmer.

**AVAIL DIRECT SELECT SERIES 4" RECOMMENDED DIMMERS**

BRAND	MODEL #	MAX CURRENT OUT (MA)	MIN CURRENT IN (MA)	DIMMING RANGE (%)
Lutron	CTCL-153P	249.7	3.9	1.5-99.8
Lutron	MACL-153MR-WH	237.8	13.38	5.3-95.1
Lutron	SCL-153P	248.9	1.05	0.4-99.5
Leviton	CL-6674	249.5	16.52	6.6-99.8
Lutron	TG-600PH-LA	249.5	23.74	9.4-99.8
Leviton	CL-6683	249.7	0	0-99.8
Leviton	IPL06	249.2	1.81	0.7-99.6
Lutron	DGCL-153P	249.8	2.58	1.0-99.9
Lutron	DVCL-153P	249.7	10.88	4.3-99.8
Leviton	CL-6672	249.8	30.85	12.3-99.9
Lutron	SLV-600P-IV	249.8	7.05	2.8-99.9
Lutron	MACL-153ME	250	27.9	11.1-100
Lutron	DVSCSELV-300P	250	18.16	7.2-100
Lutron	SELV300P-WH	248.2	18.22	7.2-99.2
Lutron	DV-600P	249.8	5.45	2.1-99.1
Lutron	DVELV-300P-WH	247.9	17.7	7.0-99.1
Lutron	SELV303P-WH	248.2	18	7.2-99.2
Lutron	DVWCL-153PH-WH	248.3	9.7	3.9-99.3
Leviton	6674-10W	250	36.2	14.5-100
Eaton	TULD6P-C2	164	0.00	0-95
Eaton	DULD6P-C2	164	0.00	0-90

Dimmer performance may vary in field application due to unknown external factors. Dimmers not included on the chart above are not necessarily incompatible; they have yet to be fully evaluated. Please reference dimmer manufacturer's instructions for more detailed information regarding performance and compatibility. Test data listed above is based on single lamp data. Recommended maximum 10 units connected to a single dimmer.

**AVAIL DIRECT SELECT SERIES 6" RECOMMENDED DIMMERS**

BRAND	MODEL #	MAX CURRENT OUT (MA)	MIN CURRENT IN (MA)	DIMMING RANGE (%)
Lutron	CTCL-153P	375	7.83	2.0-99.9
Lutron	MACL-153MR-WH	356	22.7	6.0-94.8
Lutron	SCL-153P	375	2.9	0.7-99.9
Leviton	CL-6674	375	27.5	7.3-99.9
Lutron	TG-600PH-LA	375	42	11-99.9
Leviton	CL-6683	374	0	0-99.6
Leviton	IPL06	375	1.83	0.5-99.9
Lutron	DGCL-153P	375	5.46	1.4-99.9
Lutron	DVCL-153P	375	18.76	5-99.9
Leviton	CL-6672	375	52.2	13.9-99.9
Lutron	SLV-600P-IV	375	14.02	3.7-99.9
Lutron	MACL-153ME	375	38.5	10.2-99.9
Lutron	DVSCSELV-300P	375	26.07	6.9-99.9
Lutron	SELV300P-WH	375	25.55	6.8-99.9
Lutron	DV-600P	375	11.56	3.0-99.9
Lutron	DVELV-300P-WH	375	25.45	6.7-99.9
Lutron	SELV303P-WH	375	26.76	7.1-99.9
Lutron	DVWCL-153PH-WH	375	13.52	3.6-99.9
Leviton	6674-10W	375	58.7	15.6-99.9
Eaton	TULD6P-C2	260	0.00	0-95
Eaton	DULD6P-C2	260	0.00	0-90

Dimmer performance may vary in field application due to unknown external factors. Dimmers not included on the chart above are not necessarily incompatible; they have yet to be fully evaluated. Please reference dimmer manufacturer's instructions for more detailed information regarding performance and compatibility. Test data listed above is based on single lamp data. Recommended maximum 10 units connected to a single dimmer.

**AVAIL DIRECT SELECT SERIES 8" RECOMMENDED DIMMERS**

BRAND	MODEL #	MAX CURRENT OUT (MA)	MIN CURRENT IN (MA)	DIMMING RANGE (%)
Lutron	CTCL-153P	160	0	0-100
Lutron	MACL-153MR-WH	153	0	0-95.6
Lutron	SCL-153P	160	0	0-100
Leviton	CL-6674	160	2	1.2-100
Lutron	TG-600PH-LA	160	4	2.5-100
Leviton	CL-6683	160	0	0-100
Leviton	IPL06	160	0	0-100
Lutron	DGCL-153P	160	0	0-100
Lutron	DVCL-153P	160	0	0-100
Leviton	CL-6672	160	8	0-100
Lutron	SLV-600P-IV	160	0	0-100
Lutron	MACL-153ME	160	0	0-100
Lutron	DVSCSELV-300P	160	0	0-100
Lutron	SELV300P-WH	160	0	0-100
Lutron	DV-600P	160	0	0-100
Lutron	DVELV-300P-WH	160	0	0-100
Lutron	SELV303P-WH	160	0	0-100
Lutron	DVWCL-153PH-WH	160	0	0-100
Leviton	6674-10W	160	7	4.4-100

Dimmer performance may vary in field application due to unknown external factors. Dimmers not included on the chart above are not necessarily incompatible; they have yet to be fully evaluated. Please reference dimmer manufacturer's instructions for more detailed information regarding performance and compatibility. Test data listed above is based on single lamp data.



# AMERICAN LIGHTING WARRANTY

## LIMITED WARRANTY FOR LED PRODUCTS: 5 YEARS

### LIMITED PRODUCT WARRANTY

Our products are warranted to be free from defects in material and workmanship for the warranty period listed. Warranty periods begin from the date of shipment from American Lighting Inc's warehouse to the original purchaser. Products that prove to be defective during their specific warranty period will be either repaired or replaced, at the sole discretion of American Lighting Inc. Claims for defective products must be submitted in writing to American Lighting Inc's RGA Department within the warranty period. Upon approval of such return, American Lighting Inc reserves the right to inspect the product for misuse or abuse. Claims for indirect or consequential damages or for product that, in American Lighting Inc's opinion, has been misused will be denied. This is a warranty of product reliability only and not a warranty of merchantability or fitness for a particular purpose. American Lighting Inc shall have no liability whatsoever in any event for payment of incidental or consequential damages, including, without limitations, installation costs and/or damages for personal injury and/or property. These products may represent a possible shock or fire hazard if improperly installed or altered in any way. This warranty does not apply to any product that has not been properly installed in accordance with current local codes and/or the National Electrical Code. Products that require a transformer, driver, or power supply must be used in conjunction with American Lighting Inc's recommended power supply to ensure safety and retain product warranty.

### PRODUCT SPECIFICATIONS

For the latest product information, updates, instructions and details concerning specifications, colors, finishes, performance, installation and design, visit [www.americanlighting.com](http://www.americanlighting.com). Color may vary from the color printed herein due to limitations in photographic and printing processes. American Lighting Inc. reserves the right to change product specifications without notice. Other product specifications such as color temperature, wavelength characteristics and lumen output are subject to production limitations and may vary. LED technology is changing rapidly, and not all color temperatures and performance levels can be duplicated at a later time. Best practices include purchasing 10-15% more for a particular project on the same initial order where white LED color temperatures must be maintained over project and product life. Eventual product replacement should be considered at layout and design stages. Best practices also include testing connections and product performance prior to mounting and/or installing.

### AVERAGE LIFE

Average incandescent lamp life, rated life and average life are terms used to describe the number of hours at which half of the lamps have failed. For LEDs, the hours of rated life specify the point where 70% of original lumen output is reached. Below this point, the effective life is over, however, the LED may still emit light. Individual results may vary with actual environmental conditions including, but not limited to, proper installation, ambient temperature and/or input voltage fluctuations.