

Applications:

Emergency Exit Doors, Offices,
Retail Stores, Hospitals

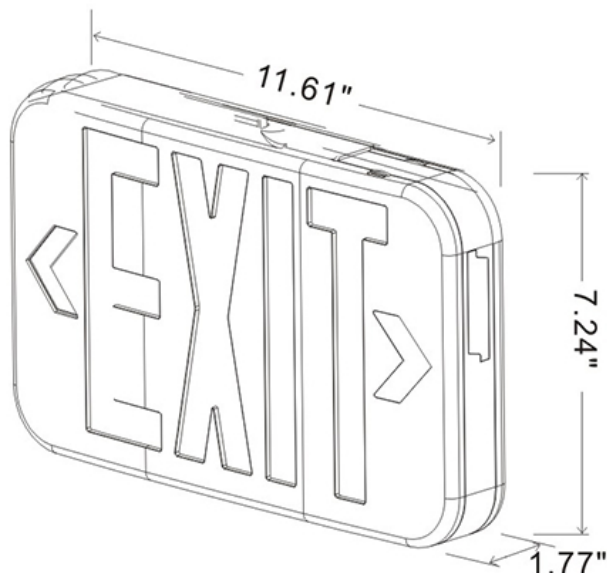
Features:

- Push-to-Test Switch
- LED Charge Indicator
- Maintenance Free, 1.2V Ni-Cd Battery
- Dual Voltage 120V/277V
- Specification Grade Design
- Universal Mount
- Long Life Energy Saving Led Light Source
- Field Replaceable Snap Out/In Chevron Directional Indicator
- Snap-Fit Faceplate Installs Without Use of Tools
- Universal Single Side and Double Side (Extra Faceplate Included)
- Universal Mounting Pattern Knockout In Backplate For J-box Mounting
- Canopy included for ceiling mounting or wall mounting
- Damp Location Listed
- 90 Minute Emergency Operation On Battery



Specification:

Input Line Voltage: 120-277VAC
 Input Power 1.2
 Input Line Frequency 60Hz
 Minimum Starting Temp 0°C/32°F
 Maximum Operating Temp 40°C/104°F



WARRANTY
1-YEAR

Model:#	Description	wattage	Letter Color
E1LEDX-RD	1.2W LED Exit Sign Red	1.2W	Red
E1LEDX-GR	1.2W LED Exit Sign Green	12.W	Green

Damp Location

UPC: E1LEDX-RD 793573-748065
 E1LEDX-GR 793573-748072

Cyber Tech Lighting, Inc.
 331 S. Hale Ave. Fullerton, CA 92831 USA.
 Tel: 714-870-0794, 1-877-60CYBER Fax: 714-870-0795
 www.cybertechlighting.com