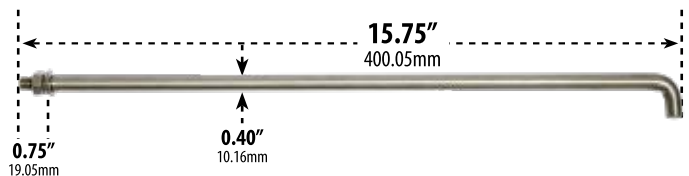
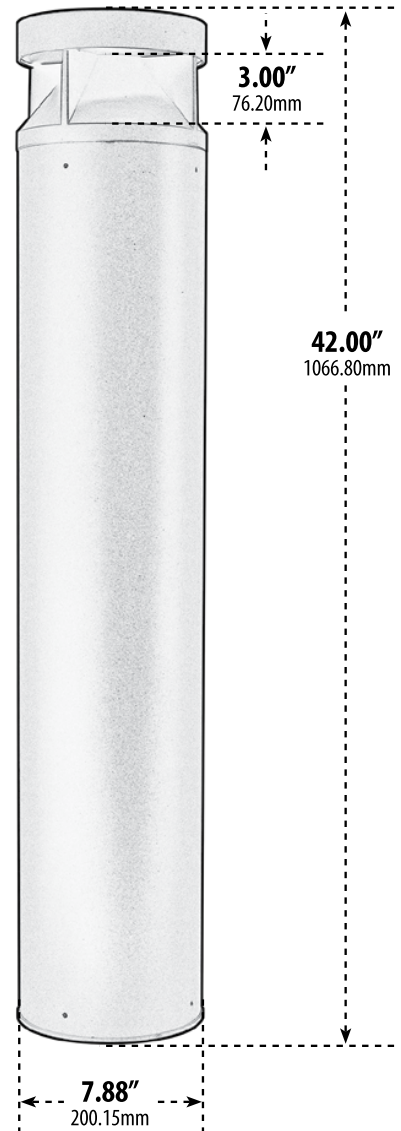


D870-LB35-40K

PATH, WALKWAY, DRIVEWAY and ENTRANCE AREA BOLLARD



- ▶ **Material:** Powder Coated Cast Aluminum
 - ▶ **Lens:** Prismatic, Heat Resistant, Glass Diffuser
 - ▶ **Available Finish:** Black, Verde Green
 - ▶ **Color Temperature:** 4000K
- ETL Approval Pending**



Overall Dimensions:
7.88"W x 42.00"H x 7.88"D

Maximum Height: 42.00"
Width: 7.88"
Maximum Depth: 7.88"

Weight: 20lbs 14oz (FIXTURE)
Box Dimensions: 0.00"L x 0.00"W x 0.00"H

Model Number	Illuminant Type	Base Type	Wattage (W)	Volatage (V)	Color Temp.	Lamp(s) Included
D870-LB35-40K	LED	LED Board	35W	120V-277V	40K	Yes

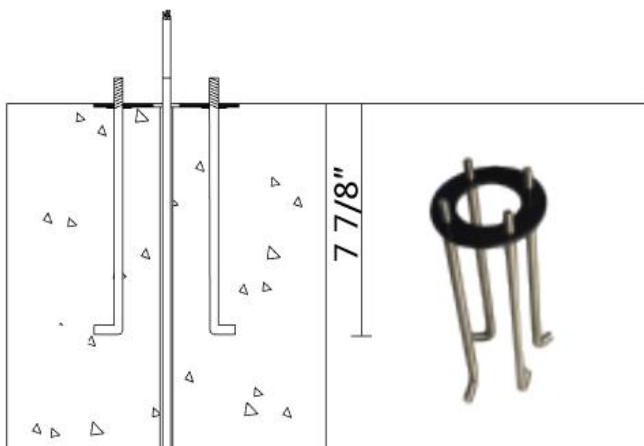
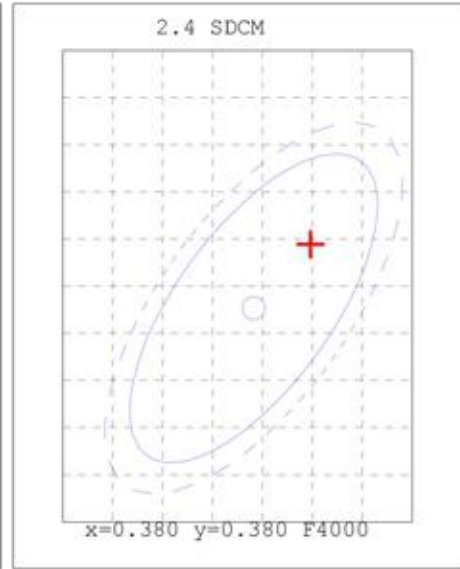
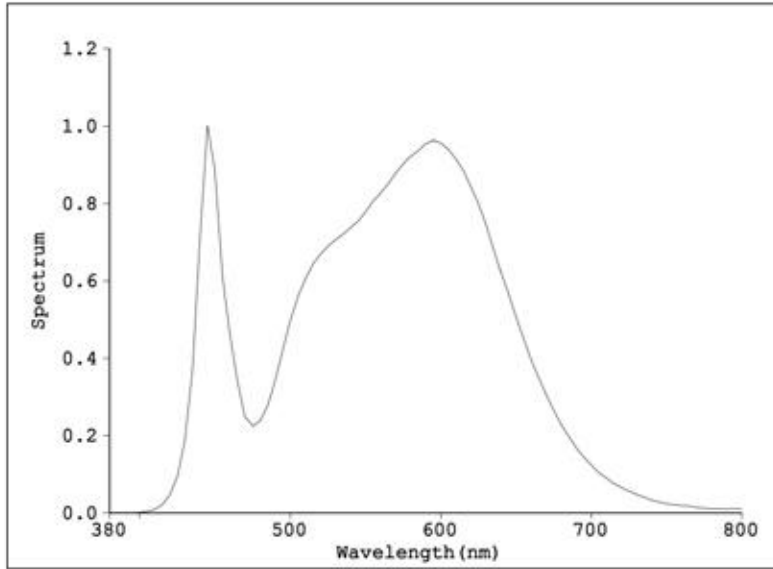
Available Finish: Black, Verde Green



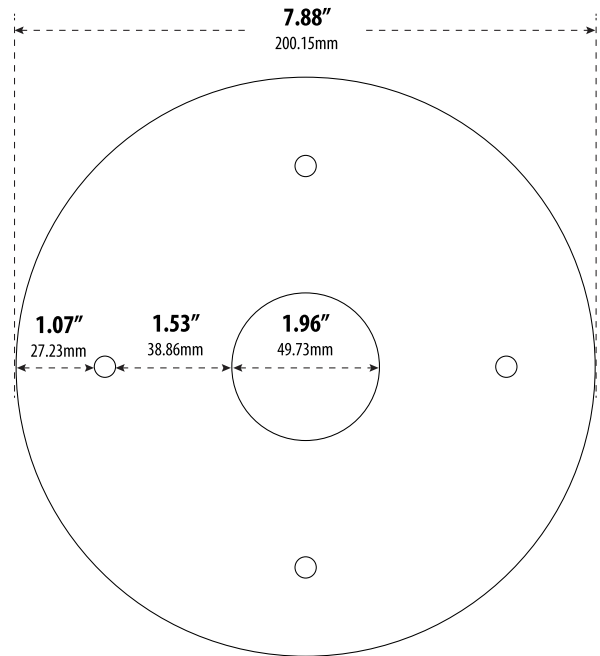
DABMAR LIGHTING INCORPORATED

320 Graves Ave . Oxnard, CA 93030 . 805.604.9090 . f: 805.604.9050 . www.dabmar.com
4693 19th Street Ct E . Bradenton, FL 34203

PHOTOMETRICS



Four anchor bolts included (standard)



BASE PATTERN



DABMAR LIGHTING INCORPORATED

320 Graves Ave . Oxnard, CA 93030 . 805.604.9090 . f: 805.604.9050 . www.dabmar.com
4693 19th Street Ct E . Bradenton, FL 34203