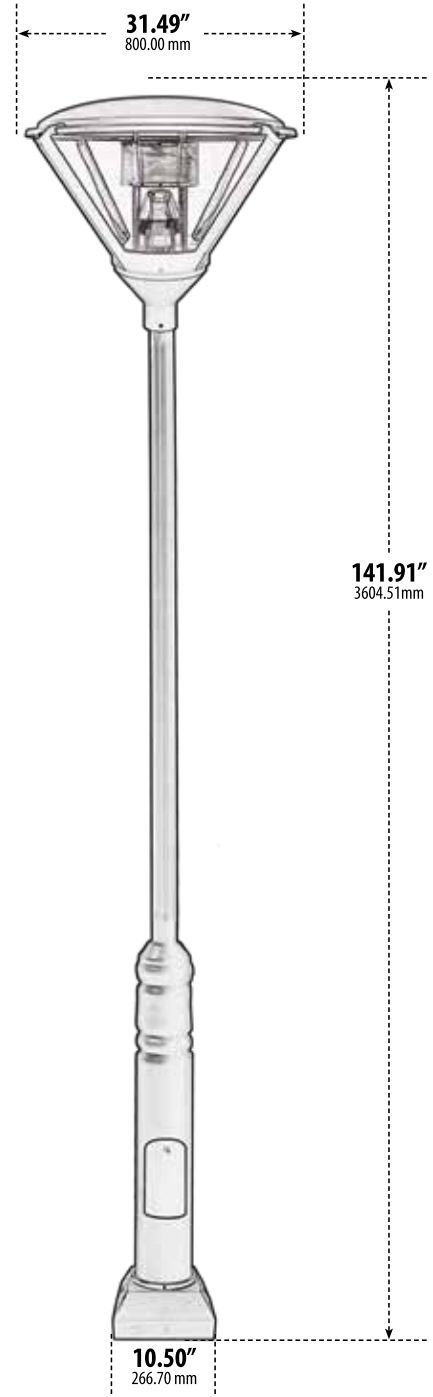
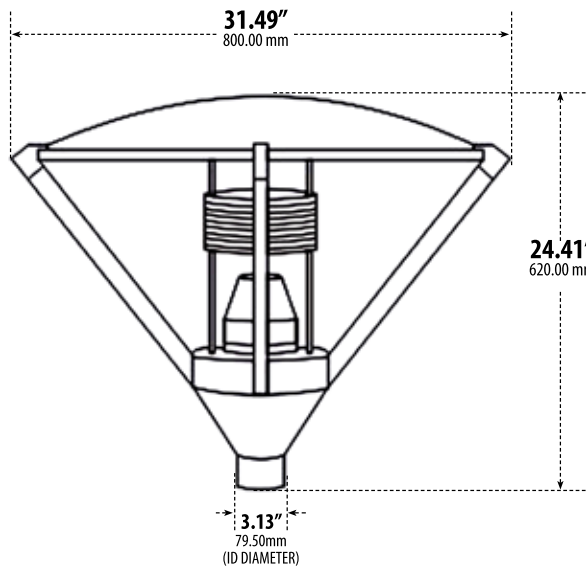
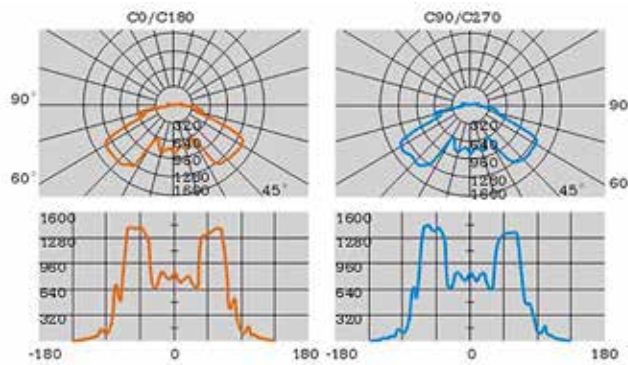


GM5000

POST FIXTURE



PHOTOMETRICS



- ▶ **Material:** Powder Coated Cast Aluminum
- ▶ **Lens:** Polycarbonate
- ▶ **Available Finish:** Black, Verde Green
- ▶ **ETL Approval Pending**

MODEL NUMBER	LAMP TYPE	ILLUMINANT TYPE	WATTS (W)	VOLTS (V)	LAMP(S) INCLUDED?
GM5000	A-Type	Incandescent	60	120	NO
GM5000-LED30	Tubular E26	LED	30	85-265	YES

LED Available in 30K or 65K

Overall Dimensions:
141.91"H x 31.49"W x 31.49"D

Weight: 89.82 lbs
Approximate Wire Length: N/A



DABMAR LIGHTING INCORPORATED

320 Graves Ave . Oxnard, CA 93030 . 805.604.9090 . f: 805.604.9050 . www.dabmar.com
4693 19th Street Ct E . Bradenton, FL 34203