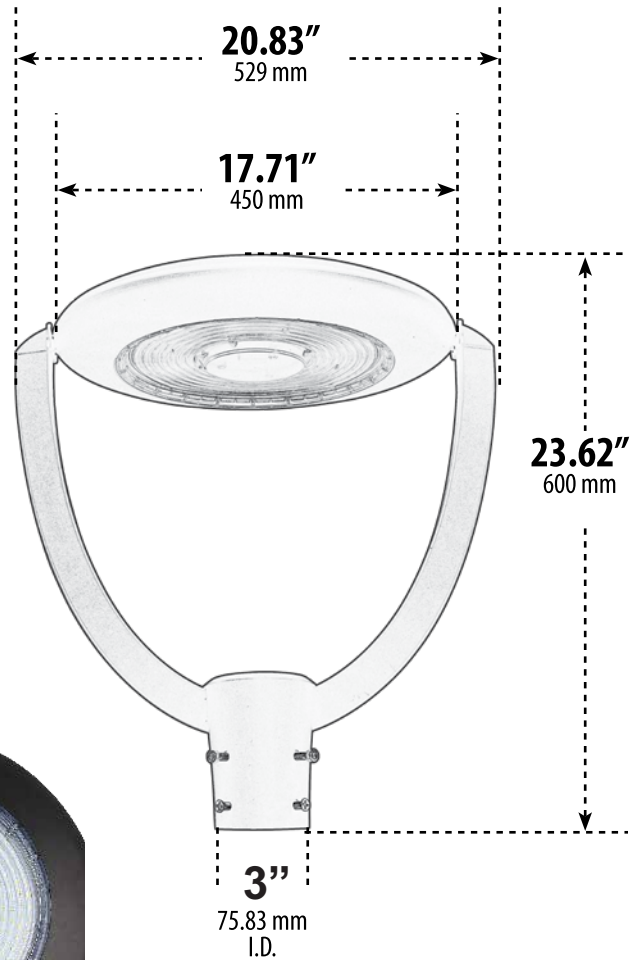


GM572-LED75

POST TOP FIXTURE



- ▶ **Material:** Powder Coated Cast Aluminum
- ▶ **Lens:** Clear, Heat Resistant, Polycarbonate Lens
- ▶ **Available Finish:** Black
- ▶ **Color Temperature:** 5000K
- ▶ **Lumens:** 9750Lm
- ▶ **UL and DLC Approved**

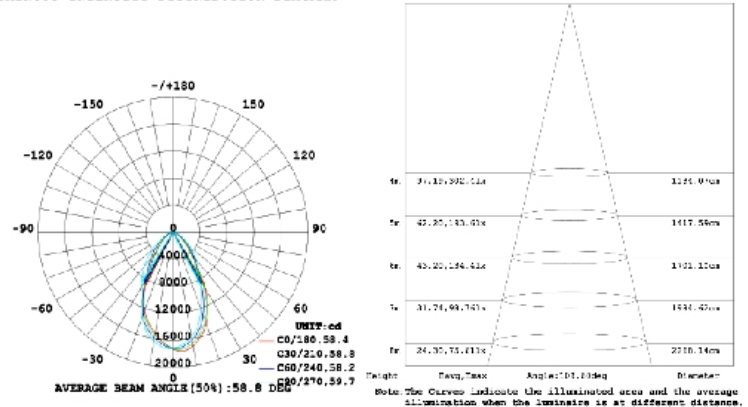
MODEL NUMBER	LAMP TYPE	ILLUMINANT TYPE	WATTS (W)	VOLTS (V)	LAMP(S) INCLUDED?
GM572-LED75	LED	LED MODULE	75	100-277	YES

Photocell option available (sold separately)

Overall Dimensions:
23.62"H x 20.83"W x 20.83"D

Weight: 12.5lbs
Weight w/Box: 14.3 lbs
Approximate Wire Length: 22"
Box Dimensions: 32.87"L x 23.03"W x 7.08"H

LUMINOUS INTENSITY DISTRIBUTION DIAGRAM



DABMAR
LIGHTING

DABMAR LIGHTING INCORPORATED

320 Graves Ave . Oxnard, CA 93030 . 805.604.9090 . f: 805.604.9050 . www.dabmar.com
4693 19th Street Ct E . Bradenton, FL 34203