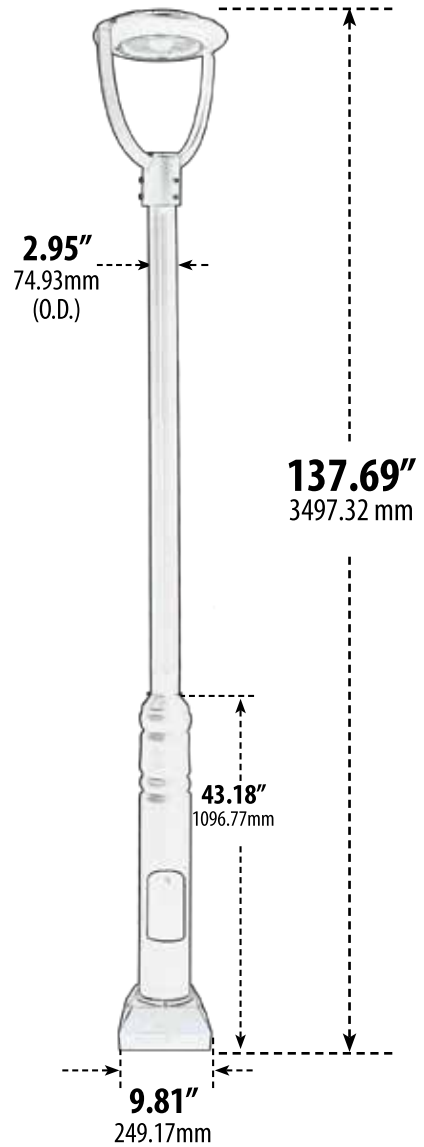


# GM5730-LED55

## POST TOP FIXTURE



Overall Dimensions:  
137.69"H x 14.96"W x 14.96"D

Weight: 88 lbs  
Approximate Wire Length: N/A  
Box Dimensions: N/A

- ▶ **Material:** Powder Coated Cast Aluminum
- ▶ **Lens:** Clear, Heat Resistant, Polycarbonate Lens
- ▶ **Available Finish:** Black
- ▶ **Color Temperature:** Adjustable 3000K/4000K/5000K
- ▶ **Lumens:** 6325 - 7150 Lm
- ▶ **UL and DLC Approved**

MODEL NUMBER	LAMP TYPE	ILLUMINANT TYPE	WATTS (W)	VOLTS (V)	LAMP(S) INCLUDED?
GM5730-LED55	LED	LED MODULE	55	100-277	YES

*Photocell and Motion Sensor option available (sold separately)*

**DABMAR**  
LIGHTING

DABMAR LIGHTING INCORPORATED

320 Graves Ave . Oxnard, CA 93030 . 805.604.9090 . f: 805.604.9050 . www.dabmar.com  
4693 19th Street Ct E . Bradenton, FL 34203