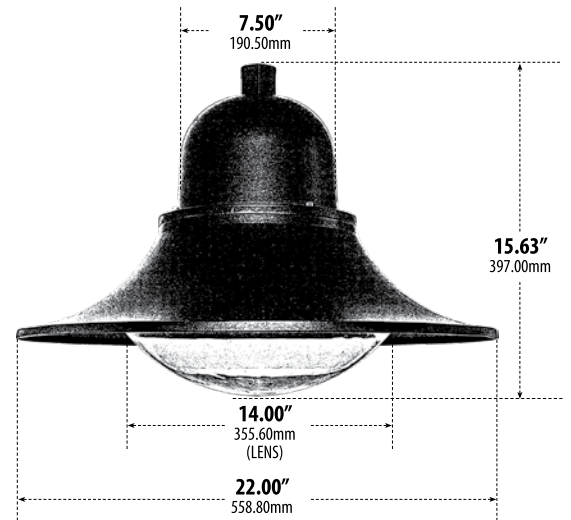
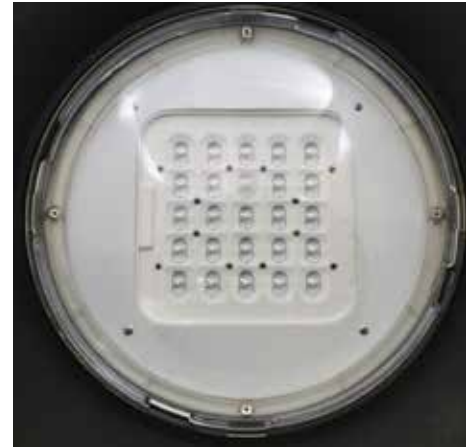


GM601

POST TOP FIXTURE



- ▶ **Material:** Powder Coated Cast Aluminum
- ▶ **Lens:** Clear, Heat Resistant, Polycarbonate Convex Lens
- ▶ **Available Finish:** Black, Verde Green
- ▶ **Color Temperature:** 3000K or 5000K
- ▶ **Lumens:** 3000K - 4860Lm 5000K - 5022Lm
- ▶ **Life Expectancy:** 30,000 Hrs
- ▶ **UL Listed**

MODEL NUMBER	LAMP TYPE	ILLUMINANT TYPE	WATTS (W)	VOLTS (V)	LAMP(S) INCLUDED?
GM601	LED BOARD	25 LEDs	60	120-277	YES

Overall Dimensions:
35.50"H x 30.07"W x 22.00"D

Weight (Head Only): 15.4 lbs.

Weight (Arm Only): 12 lbs.

Box Dimensions:

17.75"H x 18.00"W x 18.00"D (Head Only)

DABMAR
LIGHTING

DABMAR LIGHTING INCORPORATED

320 Graves Ave . Oxnard, CA 93030 . 805.604.9090 . f: 805.604.9050 . www.dabmar.com

4693 19th Street Ct E . Bradenton, FL 34203