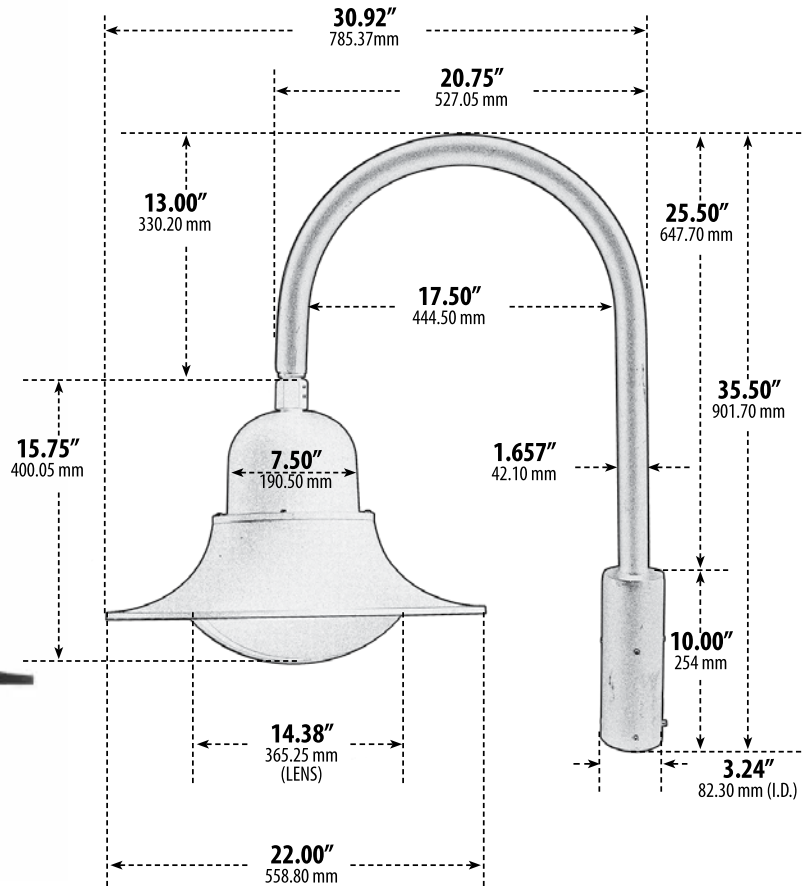


GM611

POST TOP FIXTURE - SINGLE ARM



- ▶ **Material:** Powder Coated Cast Aluminum
- ▶ **Lens:** White, Heat Resistant, Convex Polycarbonate Lens
- ▶ **Available Finish:** Black, Verde Green
- ▶ **ETL Approved**

MODEL NUMBER	LAMP TYPE	ILLUMINANT TYPE	WATTS (W)	VOLTS (V)	LAMP(S) INCLUDED?
GM611	A-Type	Incandescent	100	120	NO
GM611-LED20	G24-LED	140 LEDs	20	120-277	YES
GM611-LED30	TUBULAR LED	168 LEDs	30	85-265	YES
GM612	HID	HPS	35	120	YES
GM613	HID	HPS	50	120	YES
GM613-MT	HID	HPS	50	MT	YES
GM614	HID	HPS	70	120	YES
GM614-MT	HID	HPS	70	MT	YES
GM615	HID	MH	35	120	YES
GM616	HID	MH	50	120	YES
GM616-MT	HID	MH	50	MT	YES
GM617	HID	MH	70	120	YES
GM617-MT	HID	MH	70	MT	YES

*Direct Burial and Surface Mounted Poles and Bases Available (sold separately)

20W LED Available in 30K or 50K
 30W LED Available in 30K or 65K

Overall Dimensions:
 35.50"H x 22.00"W x 30.92"D

Weight (Head Only): 11.2 lbs.
 Weight (Arm Only): 12 lbs.

Box Dimensions:
 17.75"H x 18.00"W x 18.00"D (Head Only)



DABMAR LIGHTING INCORPORATED

320 Graves Ave . Oxnard, CA 93030 . 805.604.9090 . f: 805.604.9050 . www.dabmar.com
 4693 19th Street Ct E . Bradenton, FL 34203