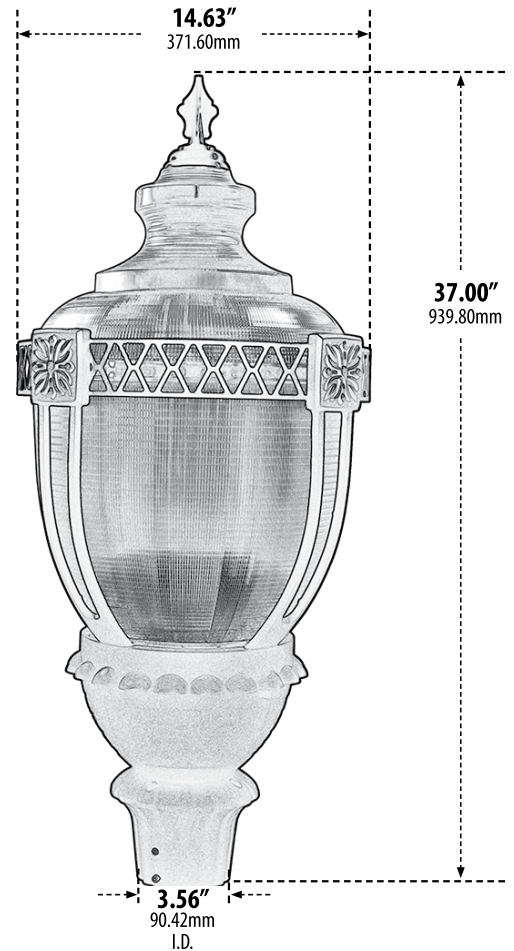


GM660

LARGE POST TOP FIXTURE



P-RDR-GM02
3" Reducer from 3.5" to fit 3" Post
(sold separately)



- ▶ **Material:** Powder Coated Cast Aluminum
- ▶ **Lens:** Clear, Prismatic, Heat Resistant, Polycarbonate
- ▶ **Available Finish:** Black, Bronze, Verde Green
- ▶ **ETL Approved**

75W LED Available in 60K
120W LED Available in 41K

Overall Dimensions:
37.00"H x 14.63"W x 14.63"D

Weight: 15.4 lbs

Box Dimensions:
16.50"H x 16.50"W x 30.50"D

MODEL NUMBER	LAMP TYPE	ILLUMINANT TYPE	WATTS (W)	VOLTS (V)	LAMP(S) INCLUDED?
GM660	A-Type	Incandescent	100	120	NO
GM660-LED75	MOGUL LED	216 LEDs	75	120-277	YES
GM660-LED120	MOGUL LED	896 LEDs	120	120-277	YES
GM661	HID	HPS/MOG	70	120	YES
GM661-MT	HID	HPS/MOG	70	MT	YES
GM662	HID	HPS/MOG	100	120	YES
GM662-MT	HID	HPS/MOG	100	MT	YES
GM663	HID	HPS/MOG	150	120	YES
GM663-MT	HID	HPS/MOG	150	MT	YES
GM664	HID	MH/MOG	70	120	YES
GM664-MT	HID	MH/MOG	70	MT	YES
GM665	HID	MH/MOG	100	120	YES
GM665-MT	HID	MH/MOG	100	MT	YES
GM666	HID	MH/MOG	150	120	YES
GM666-MT	HID	MH/MOG	150	MT	YES
GM667	HID	MH/MOG	175	120	YES
GM667-MT	HID	MH/MOG	175	MT	YES

DABMAR
LIGHTING

DABMAR LIGHTING INCORPORATED

320 Graves Ave . Oxnard, CA 93030 . 805.604.9090 . f: 805.604.9050 . www.dabmar.com
4693 19th Street Ct E . Bradenton, FL 34203