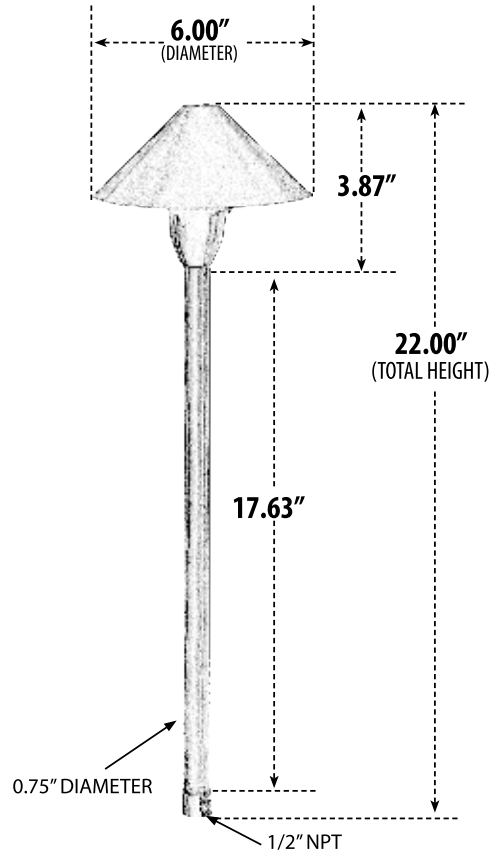


LV41

PATH, WALKWAY AND AREA LIGHT



- ▶ **Material:** Brass or Copper (Copper Finish only)
- ▶ **Lens:** No Lens, Open Lamp
- ▶ **Lamp:** JC Bi-Pin Base (20W Maximum) Available in 30K or 64K (LED)

MODEL NUMBER	LAMP TYPE	ILLUMINANT TYPE	WATTS (W)	VOLTS (V)	LAMP(S) INCLUDED?
LV41	JC	HALOGEN	20	12	YES
LV-LED41	JC-LED	LED	2.5	12	YES
LV-LED41-AMB	JC-LED	LED	3.0	12	YES

Pre-wired with UL Listed Direct Burial Wire/Cable

- ▶ **Amber Lamp:** Silicone G4 Bi-Pin (Turtle Friendly)
- ▶ **1/2" NPT**
- ▶ **Ground Spike Included for Installation**
- ▶ **Connector Available:** P-CN01 (sold separately)
- ▶ **Available Finish:** Antique Bronze, Antique Brass, Copper, Acid Green
- ▶ **ETL Approved**

Overall Dimensions:
22.00"H x 6.00"W x 6.00"D

Maximum Height: 22.00"
Width: 6.00"
Maximum Depth: 6.00"

Weight: 1.20 lbs
Approximate Wire Length: 21"
Box Dimensions:
21.13"H x 6.00"W x 3.75"D

DABMAR
LIGHTING

DABMAR LIGHTING INCORPORATED

320 Graves Ave . Oxnard, CA 93030 . 805.604.9090 . f: 805.604.9050 . www.dabmar.com
4693 19th Street Ct E . Bradenton, FL 34203