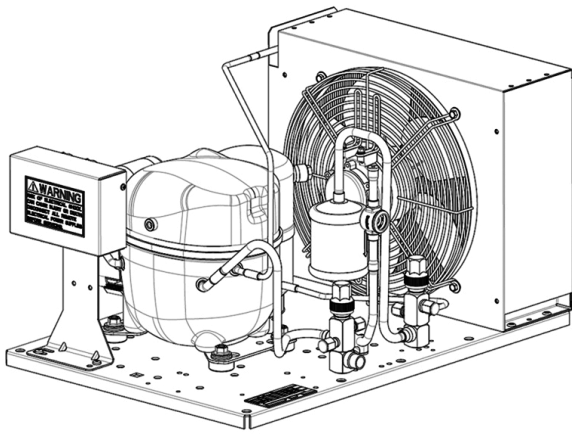


UNE0045MZB-A21A



ENGINEERING CODE
668GBN601AA



REFRIGERANT
R-134a



POWER SUPPLY
200-230 V 50 Hz
/ 208-230 V 60 Hz



APPLICATION
HBP



STANDARD
AHRI



MOTOR TYPE
CSIR



COOLING CAPACITY
997 W



EFFICIENCY
1.83 W/W

DATA

GENERAL DATA

Model UNE0045MZB-A21A

ELECTRICAL DATA

Locked Rotor Amperage (LRA)	26.00 A
Rated Load Amperage (RLA)	5.00 A
Maximum Overcurrent Protection (MOP)	11.25 A
Minimum Current Ampacity (MCA)	6.3 A

ACCESSORIES

Dryer	FILTER DRYER 10MM ODF	2730010
Sightglass	SIGHT GLASS - 3/8	2464417
Discharge valve	SOLDER 3/8"	2110142
Suction valve	SOLDER 1/2"	2110143

CONDENSING COMPONENTS

Compressor	NEU6212Z	M/HBP
Condenser	10TB/3R	2451254
Refrigerant	R-134a	
Expansion Device	C-V	
Fan Blade Diameter	254 mm	

MECHANICAL DATA

Air Flow	595 m ³ /h
Height	302 mm
Receiver	1.2 L
Shaft Power	16 W
Weight	26 Kg
Width	377 mm
Length	550 mm

PERFORMANCE

TESTED CONDITIONS

Tested Refrigerant	R-134a
Tested Application	HBP
Tested Standard	AHRI

RATED POINTS

Ambient Temperature °C	Evaporating Temperature °C	Cooling Capacity W	Efficiency W/W	Consumo de Potencia W
32	-6.6	997	1.83	544

Test Condition: Subcooling 2.8 K, Return Gas 18 °C.

PERFORMANCE CURVE

Ambient Temperature 25°C

Evaporating Temperature °C	Cooling Capacity W	Efficiency W/W	Consumo de Potencia W
-15	772	1.76	438
-5	1148	2.12	541
0	1370	2.30	597
5	1610	2.43	663
10	1865	2.49	748

Test Condition: Subcooling 2.8 K, Return Gas 18 °C.

PERFORMANCE CURVE

Ambient Temperature 32°C

Evaporating Temperature °C	Cooling Capacity W	Efficiency W/W	Consumo de Potencia W
-15	710	1.58	450
-5	1059	1.88	563
0	1265	2.03	624
5	1489	2.14	696
10	1727	2.19	788

Test Condition: Subcooling 2.8 K, Return Gas 18 °C.

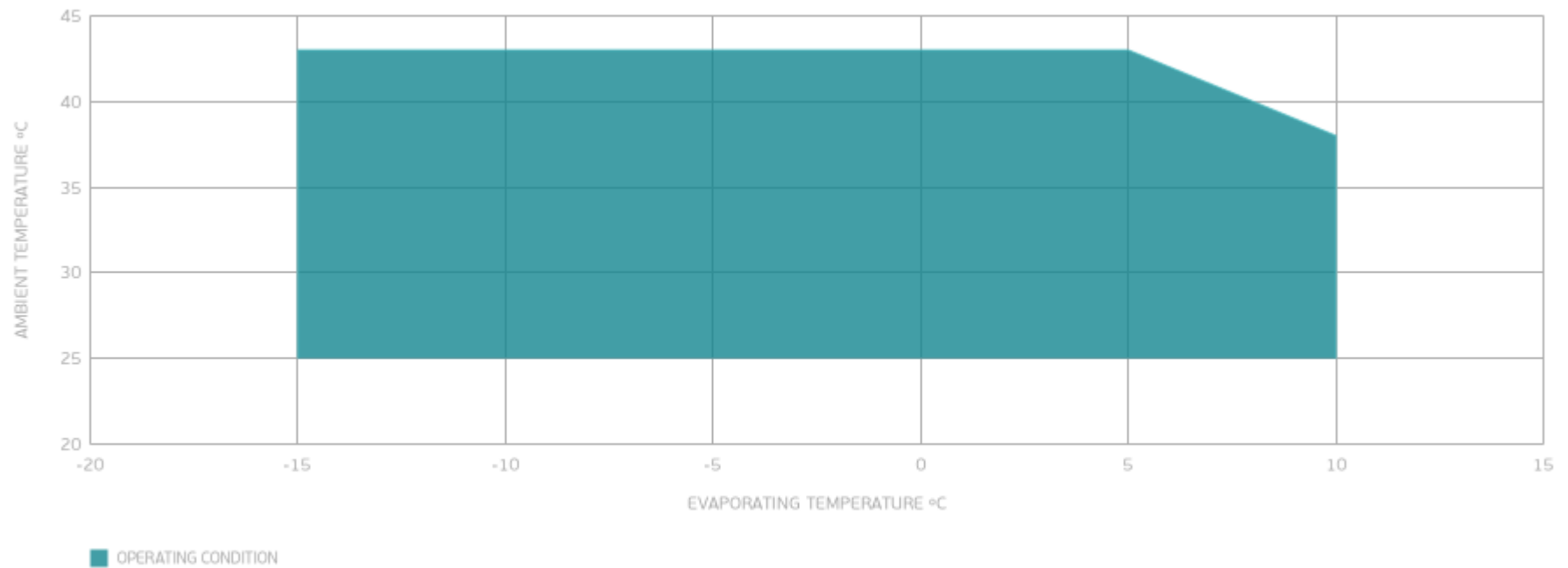
PERFORMANCE CURVE

Ambient Temperature 43°C

Evaporating Temperature °C	Cooling Capacity W	Efficiency W/W	Consumo de Potencia W
-15	613	1.31	469
-5	921	1.52	605
0	1105	1.63	678
5	1305	1.71	764

Test Condition: Subcooling 2.8 K, Return Gas 18 °C.

ENVELOPE



EXTERNAL DIMENSIONS

