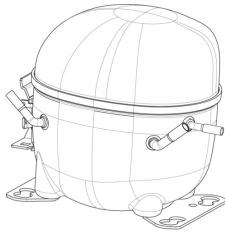


220-240V 50Hz 1~**GENERAL DATA****Application:** HBP**Refrigerant:** R134a**Evaporating Temperature Range:** -15°C to 10°C**Compressor Cooling:** Fan**Fan air flow:** 520 m³/h**Maximum Condensing Pressure - Operating:** 13.92 kgf/cm² (psig)**Maximum Condensing Pressure - Peak:** 15.62 kgf/cm² (psig)**Type:** Hermetic reciprocating**Technology Type:** On-Off**Expansion Device:** Capillary Tube or Expansion Valve**Packing Quantity:** Single - 1 pcApprovals:   **MECHANICAL DATA****Bore:** 27.78 mm**Stroke:** 20 mm**Free Internal Volume:** 2.1 l**Maximum Recommended Refrigerant Charge:** 350 ml**Weight:** 10.8 kg**ELECTRICAL DATA****Motor Type:** CSIR -**Starting Torque:** HST -**Maximum Motor Temperature:** 130 °C**Start Winding Resistance:** 31.7 Ω (± 10%) at 25°C**Run Winding Resistance:** 5.18 Ω (± 10%) at 25°C**Locked Rotor Amperage (RLA):** - A**MOUNTING ACCESSORIES**

	Description	Code
Cover:	yes	2075282
Grommets:	-	2221011
Sleeves:	-	2222018
Terminal:	yes	1027060
Overload Protector Bracket:	yes	2075299
Capacitor Bracket:	yes	2256008

ELECTRICAL COMPONENTS

	Component type	Description	Code
Start Capacitor:	-	53-64 MFD 330V	2252346
Motor Protection:	External 3/4"	T0660/G6	2319095
Starting Device:	Current relay	MTRP-0029-65	2334105

EXTERNAL CHARACTERISTICS**Base Plate:** European**Tray Holder:** No**Height:** 200

	Internal Diameter (mm)	Material	Shape
Suction Connector	8.1	Copper	Slanted 42°
Discharge Connector	6.1	Copper	Straight
Process Connector	6.1	Copper	Slanted 42°



RATED POINT DATA**220-240V 50Hz**

Cooling Capacity (w)	Power Consumption (W)	Current Consumption (A)	Gas Flow Rate	Efficiency (w/W)
	±5%	±5%	±5%	±7%
1 150	494	2.85	25.45	2.33

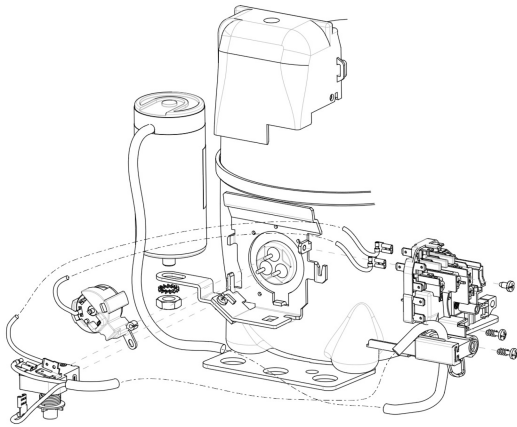
PERFORMANCE CURVE DATA**220-240V 50Hz**

Condensing Temperature (°C)	Evaporating Temperature (°C)	Cooling Capacity (w)	Power Consumption (W)	Current Consumption (A)	Gas Flow Rate	Efficiency (w/W)
		±5%	±5%	±5%	±5%	±7%
35°C	10	1 608	421	2.47	30.39	3.82
	5	1 330	389	2.40	24.96	3.42
	0	1 089	359	2.32	20.33	3.04
	-5	886	329	2.24	16.45	2.70
	-10	719	299	2.14	13.32	2.41
	-15	590	269	2.02	10.90	2.19

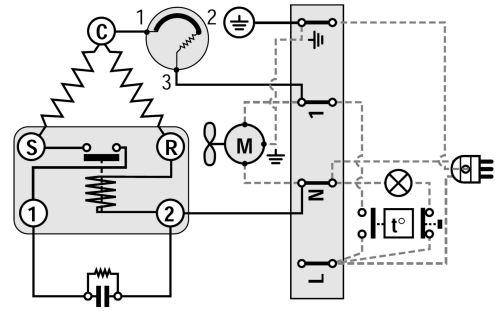
Condensing Temperature (°C)	Evaporating Temperature (°C)	Cooling Capacity (w)	Power Consumption (W)	Current Consumption (A)	Gas Flow Rate	Efficiency (w/W)
		±5%	±5%	±5%	±5%	±7%
45°C	10	1 445	473	2.72	29.54	3.05
	5	1 201	436	2.59	24.39	2.76
	0	984	399	2.46	19.87	2.47
	-5	794	362	2.34	15.97	2.20
	-10	632	325	2.22	12.66	1.95
	-15	498	287	2.10	9.91	1.73

Condensing Temperature (°C)	Evaporating Temperature (°C)	Cooling Capacity (w)	Power Consumption (W)	Current Consumption (A)	Gas Flow Rate	Efficiency (w/W)
		±5%	±5%	±5%	±5%	±7%
55°C	10	1 258	521	2.97	28.12	2.41
	5	1 051	477	2.78	23.30	2.20
	0	861	432	2.60	18.97	1.99
	-5	689	386	2.44	15.09	1.78
	-10	535	340	2.30	11.67	1.57

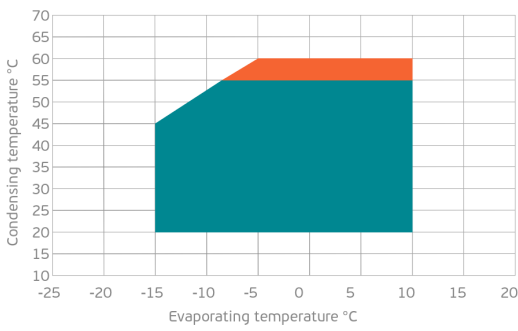
ASSEMBLY INSTRUCTION



WIRING DIAGRAM

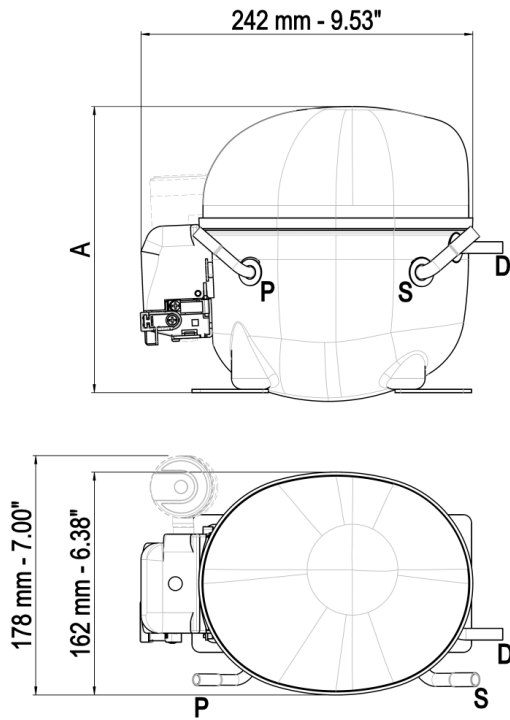


OPERATING ENVELOPE



- Operating Condition
- Transient Condition
- Superheating

NOTE: usage of compressors outside of intended working range cannot make use of the warranty, or should be consulted with Technical support.



DWG02	∅ mm	∅ in	material
S - Suction	6.10 - 6.20	0.24	Cu
P - Process	6.10 - 6.20	0.24	Cu
S - Discharge	4.86 - 5.02	3/16	Cu

DWG03	∅ mm	∅ in	material
S - Suction	8.10 - 8.20	0.32	Cu
P - Process	6.10 - 6.20	0.24	Cu
S - Discharge	6.10 - 6.20	0.24	Cu

