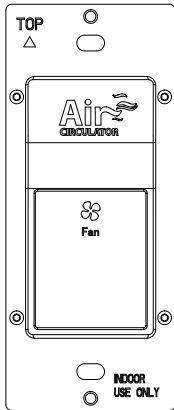


INSTALLATION INSTRUCTIONS



DWTS

Air Circulator and Fan Switch



SPECIFICATIONS

Voltage.....	120VAC, 60Hz
Maximum Fan Load.....	1/4th hp or 3 Amps
Fan Time Delay.....	.5 to 60 minutes
Minutes per Hour.....	10 to 60 minutes

DESCRIPTION

The DWTS is a 3 amp, single pole dual timer fan control to help conserve energy and maintain good indoor air quality. This fan control offers a countdown timer and a minutes per hour (MPH) timer. Best of all, the two timers work together. The MPH timer sees when you've used the countdown timer and knows not to run the fan for a while if you've already done it. If you want to manually shut the fan off when the MPH timer is running, you can do that too, just press the fan on/off button. The countdown timer can be set anywhere from 5 to 60 minutes, and it activates any time you manually turn the fan on. The MPH timer can be set to anywhere from 10 to 60 minutes and it automatically runs your fan for a set time every hour to expel stale air and help you maintain good indoor air quality (just the thing for complying with local indoor air quality standards, such as ASHRAE 62.2).

FEATURES

- Dual timer fan control includes adjustable countdown timer and adjustable minutes per hour timer
- Countdown timer allows you to choose how long fan will run
- Minutes per hour timer automatically turns the fan on every hour
- Includes manual bath fan control for immediate ventilation
- Blue LED indicator light activates to let you know fan is turned on

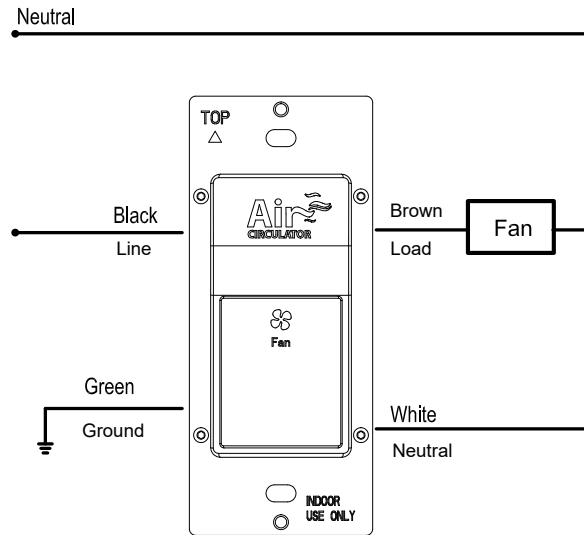
WARNING

Turn OFF circuit breaker or remove fuse(s) and test that power is OFF before wiring. Wiring the fan switch live can cause serious risk of electrical shock and/or damage the switch, voiding the warranty. FOR SAFETY, THIS PRODUCT MUST BE INSTALLED IN A GROUNDED SWITCH BOX. If you are unfamiliar with methods of installing electrical wiring, secure the services of a qualified licensed electrician. USE ONLY COPPER WIRE, DO NOT use aluminum wire with this device.

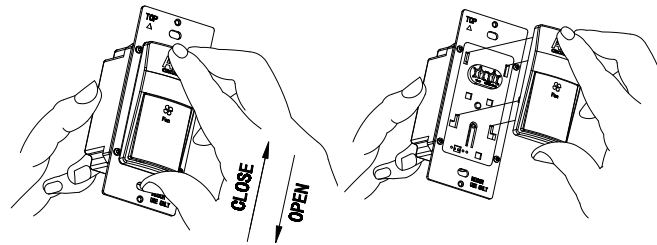
Use copper wires only. NEUTRAL WIRE IS REQUIRED.

WIRING DIRECTIONS

1. Connect BROWN wire from switch to the FAN wire.
2. Connect BLACK wire from switch to the HOT wire.
3. Connect WHITE wire from switch to the NEUTRAL wire.
4. Connect GREEN wire from switch to the GROUND wire.



Face Cover Removal and Timer Settings

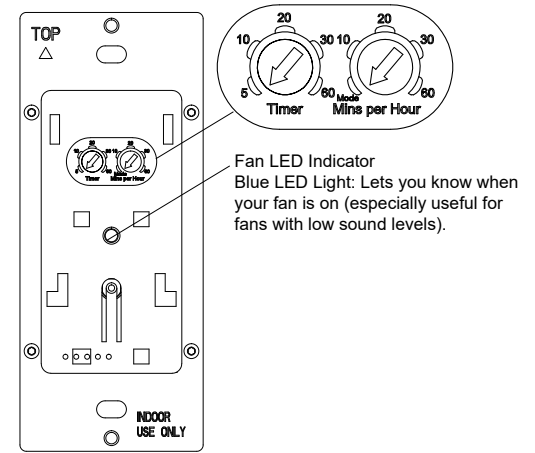


REMOVAL

Push down on the cover/ push button to release, then pull away from main body.

REATTACH

Align the latch pins to the unit, push the cover/ button against the main body, then slide up until it's locked into place



Fan LED Indicator
Blue LED Light: Lets you know when your fan is on (especially useful for fans with low sound levels).

Countdown Timer

Pressing "Fan ON/OFF" switches the fan (and the Blue LED light) ON and OFF. When the fan is turned ON manually, the countdown timer will run your fan for your selected period of time, then automatically shut your fan OFF for you. For optimal use, we recommend adding together the time it takes you to shower with the time it takes your bathroom to dry off after you shower, then using that total as your setting for this timer.

Minutes Per Hour (MPH) Timer

This timer runs your fan for a selected amount of time every hour, to help ensure good indoor air quality (it's also designed to help you more easily comply with indoor air quality standards). For example, set to "Mode", the MPH timer will never turn on. Set to "10" the Blue LED indicator will flash twice, the MPH timer will turn your fan on 10 minutes every hour. Set to "30" the Blue LED indicator will flash twice, the MPH timer will turn your fan on 30 minutes every hour. Set to "60" the Blue LED indicator will flash twice, the MPH timer will run your fan for 60 minutes every other hour.

Both Timers Work Together

Manual ON: If the MPH timer has your fan ON when you want to use the countdown timer for a shower or bath, pressing the "Fan ON/OFF" button twice will cancel the MPH timer and start the countdown timer in its place. **Manual OFF:** If the MPH timer has your fan ON, and you manually turn it OFF, that cancels out the MPH timer for the hour (the MPH timer will resume normal function after one hour).

TROUBLESHOOTING

The fan is on but the speed is variable:

Check if the device is wired properly. This device requires a NEUTRAL wire for operation. Often the WHITE wire is used as a LOAD wire. Be sure to test ALL wires. Also make sure that the HOT and LOAD wires are not reversed.

The fan does not automatically turn on each hour

Check to see if the minute per hour setting not on "Mode"

WARRANTY INFORMATION

This device is warranted to be free of material and workmanship defects for 2 years from the date of purchase. Original receipt or proof of purchase from an authorized retailer must be presented upon warranty claim. ALL claims must be verified and approved by Enerlites, Inc. Warranties from other Enerlites products may vary. This warranty is nontransferable and does not cover normal wear and tear or any malfunction, failure, or defect resulting from misuse, abuse, neglect, alteration, modification, or improper installation. To the fullest extent permitted by the applicable state law, Enerlites shall not be liable to the purchaser or end user customer of Enerlites products for direct, indirect, incidental, or consequential damages even if Enerlites has been advised of the possibility of such damages. Enerlites' total liability under this or any other warranty, express or implied, is limited to repair, replacement or refund. Repair, replacement or refund are the sole and exclusive remedies for breach of warranty or any other legal theory.



© 2020 Enerlites Inc. CA,
U.S.A.
WWW.ENERLITES.COM
0209020158-01