

6000 & 7000 Series Industrial, High Capacity Retractable Cable Reels



Heavy all-steel construction with durable yellow powder coated finish

Adjustable ball stop included

Rated NEMA 4 for indoor and outdoor environments



Range 20–200 ft. **Applications** Lift or drag

Other Standard Features:

- Listing:** cULus listed for U.S. and Canada
- Flange Size:** 6000–19" diameter, 7000–24" diameter, other diameters up to 36"
- Construction:** Heavy all-steel construction with durable yellow powder coated finish
 - Ratchet can be engaged for positive lock or disengaged for constant tension
 - Formed steel stand with multiple mounting holes
 - 4-roller cable guide—adjustable to one of 12 positions
 - Safety chain hole provided for overhead mounting
 - Adjustable ball stop included
 - Grounded slip ring assembly for safety

Termination: approximately 2 ft. of primary flying lead conductors

Cable Type: Installed with type SOOW 600V cable

Environmental: Rated NEMA 4 for indoor and outdoor

Electrical Ratings: Call for details

Options: Stretch or retrieve application, black or white powder coat finish, secondary attachments, spool guard rail, spool lock, marine duty

Cable Reel Options:

Applications:

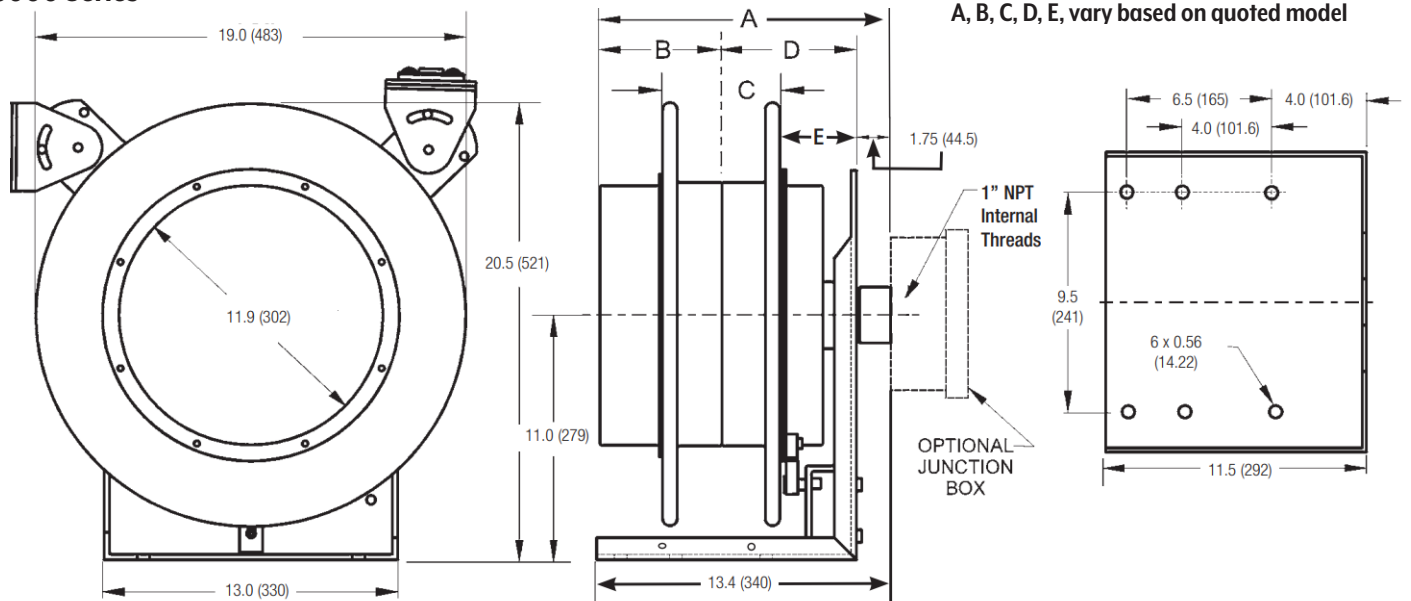
- Utility trucks
- Large cable-end accessories
- Aviation hangars
- Overhead hoists and cranes (Class A-C)
- Automated material handling
- Truck cranes and ladder trucks



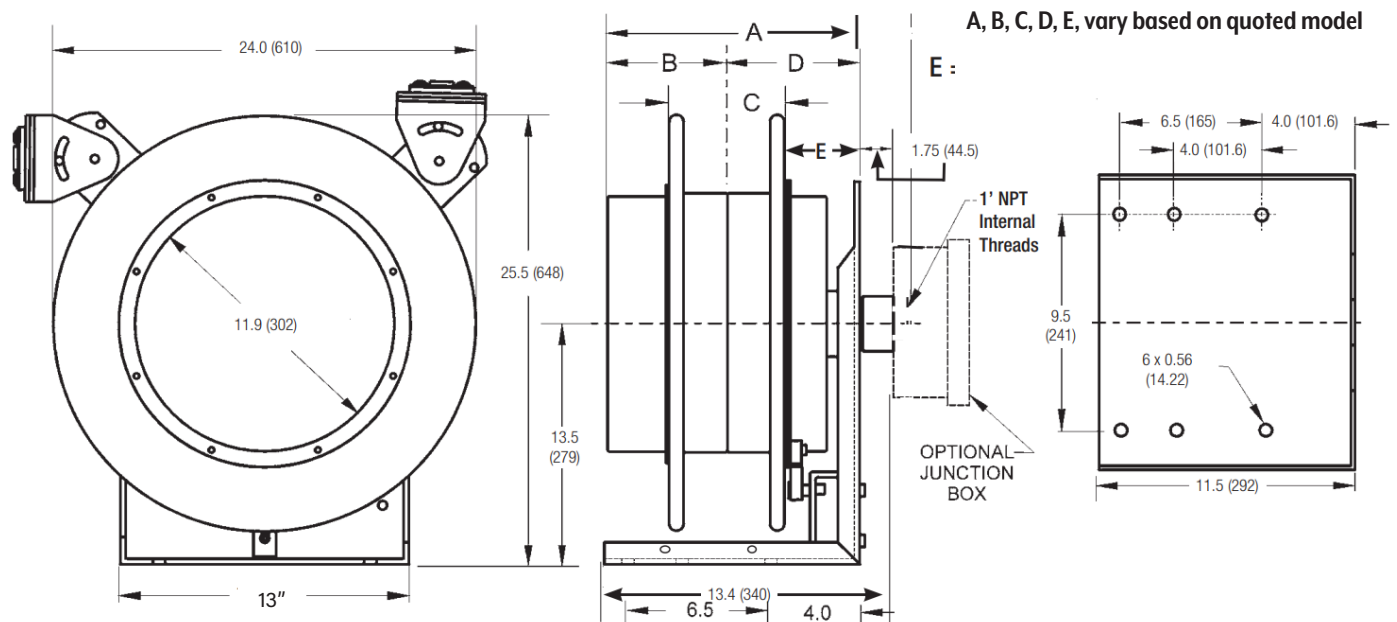
Part Number	Description
SC-1	Cable O.D. ranges 0.188" to 0.438"
SC-2	Cable O.D. ranges 0.188" to 0.438" with shock absorbing bumper
SC-3	Cable O.D. ranges 0.438" to 0.624"
SC-4	Cable O.D. ranges 0.625" to 0.749"
SC-5	Cable O.D. ranges 0.75" to 1.05"
SC-6	Cable O.D. ranges 1.06" to 1.38"
SC-7	Cable O.D. ranges 1.39" to 1.55"

Cable Reel Dimensions:

6000 Series



7000 Series



Visit products.ericson.com for full product offering



Ericson Manufacturing Company
4323 Hamann Parkway
Willoughby, OH 44094, USA



1.800.374.2766
info@ericson.com
ericson.com
L1000811B