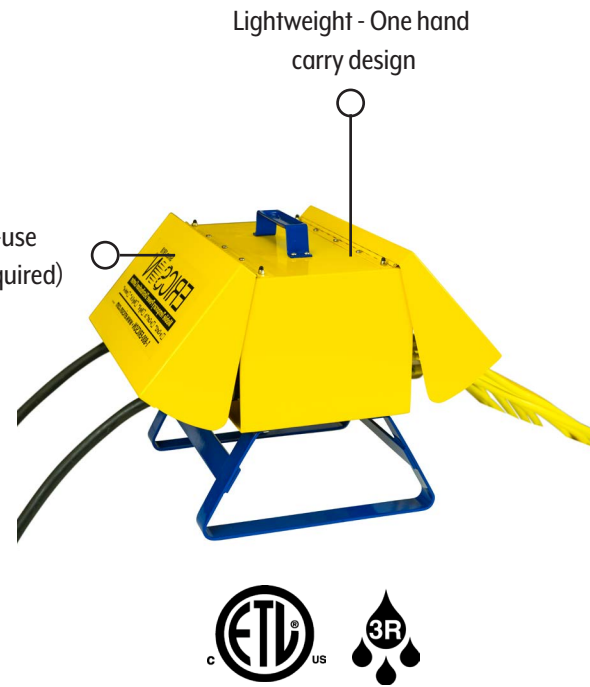
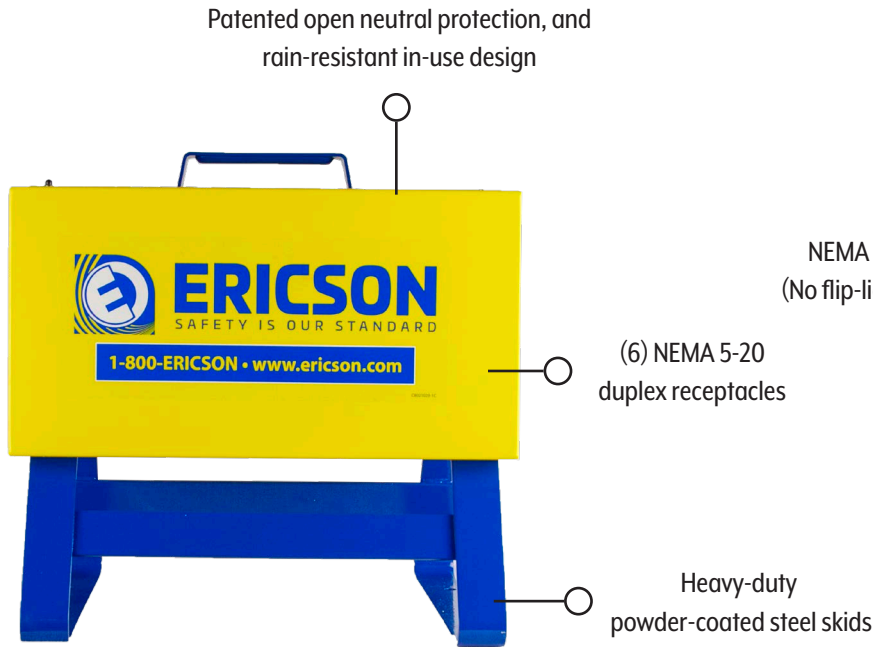


Compact 30 & 50 Amp Portable Power Distribution Unit



Other Standard Features:

- cETLus listed for U.S. and Canada
- NEMA 3R in-use
- Simplified handling, one hand carry
- Reduced operational footprint
- Anti-nuisance tripping design
- Less maintenance vs. traditional 50A PDUs
- Multiple panel configurations available
- Multiple units are stackable
- Patented enclosure design
- Patented open neutral protection
- Product customizations are available upon request

Applications:

- Construction
- Power Generation
- Maintenance
- Petrochem
- Utility
- Emergency Power
- Ship Building
- Aviation
- Mining

Accessories:

Product	Product Description
A 63BSO / 63DSO	50 amp Industrial cordsets, 50 ft. or 100ft. available
B CP5-36-ID	5 Channel Tufftraxx cable and hose protectors
C Misc. Cordsets	50 ft. or 100 ft. molded cordsets
D RFID Tagging	RFID Theft deterrent system
2520PW6PI04A-GWO	30Amp cord set required for use of GWO-30A



Selection Guide:

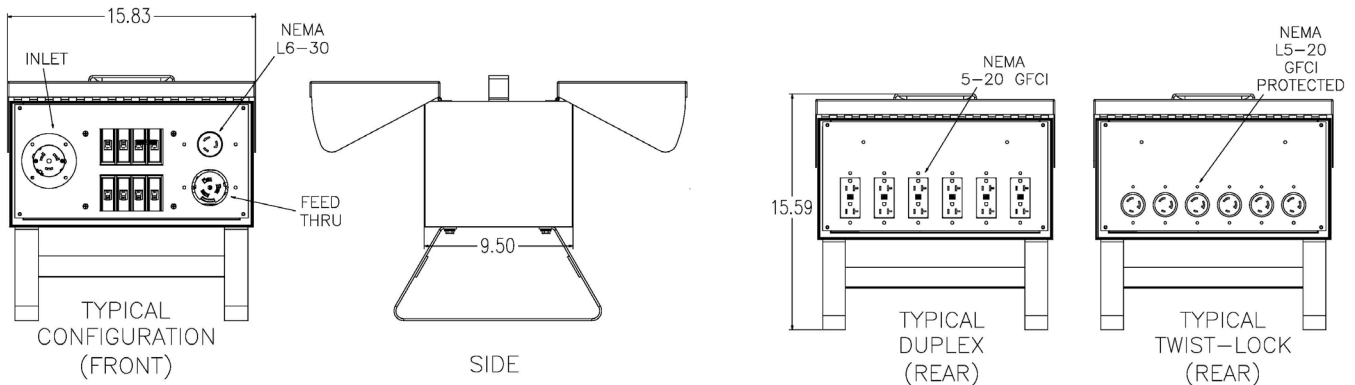
Catalog Number	Input Power	Input Connector	20 A Non-GFCI Circuit Breaker	20 A GFCI Circuit Breaker	30 A GFCI Circuit Breaker	5-20R GFCI Duplex	L5-20 Single	L6-30R Single Receptacle	Daisy Chain Feed-thru
GWO	50 Amp 125/250 V	CS6375	6	0	0	6	0	1	CS6369
GWO-A	50 Amp 125/250 V	CS6375	0	6	0	0	6	1	CS6369
GWO-B	50 Amp 125/250 V	CS6375	6	0	1	6	0	1	CS6369
GWO-USB*	50 Amp 125/250 V	CS6375	5	0	0	6	0	1	CS6369
GWO-30A*	30Amp 125/250 V	LI4-30	6	0	0	6	0	1	LI4-30

GWO-USB* - includes a single duplex receptacle with dual USB power ports

GWO-30A* - Requires specific factory assembled cordsets 2520PW6PI04A-GWO, 2520PW6PI04B-GWO, or 2520PW6PI04D-GWO

All 20 A circuits include open-neutral relay protection

U.S. Patented (US9,001,477 D798,824)



Typical incoming power panel
(Front)



Typical outgoing power panel
(Rear)



Ericson Manufacturing Company
4323 Hamann Parkway
Willoughby, OH 44094, USA



1.800.374.2766
info@ericson.com
www.ericson.com
L1000524F