

⚠ WARNING

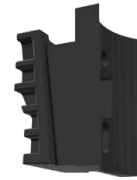
1. To avoid electric shock, disconnect power at source prior to installation.
2. The installation should be performed by qualified electricians or lighting technicians.
3. Before conducting any installation, maintenance, or removal, disable all power to the luminaires and wait until the fixture cool down.
4. Do not touch the fixture while it is in service.
5. If there is any problem with the fixture, turn off power and **DO NOT** attempt repair unless you are a qualified electrician.

STEP 1:

Install Direct Mount Adaptor to pole (Fig 1 & 2).
Flat, 4" Round and 5" Round Pole Adaptors available.



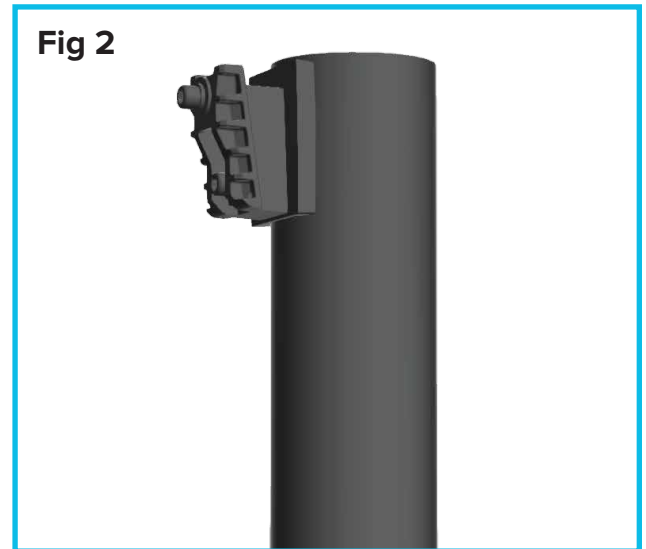
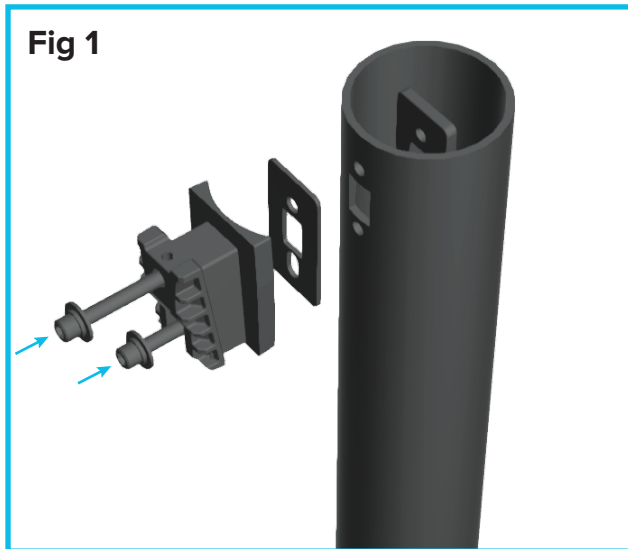
Direct Mount Pole Adaptor Flat



Direct Mount Pole Adaptor 4"

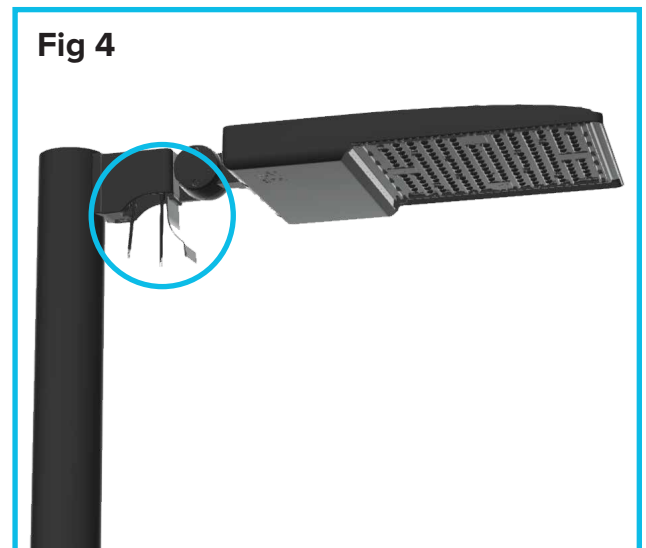


Direct Mount Pole Adaptor 5"

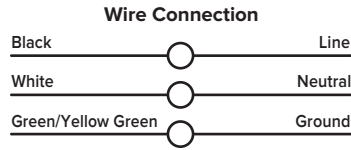


STEP 2:

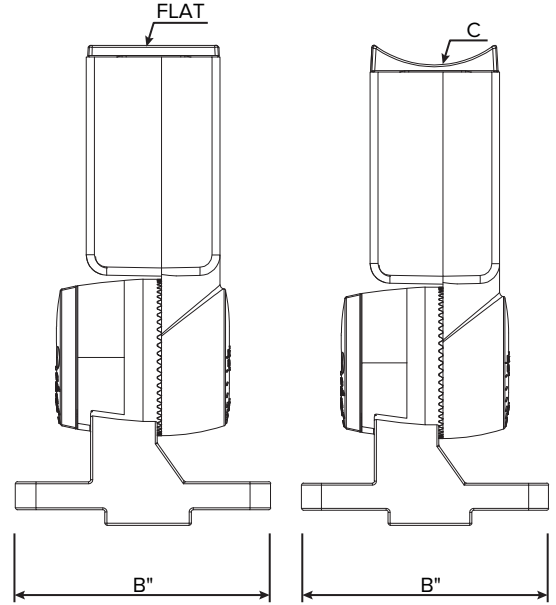
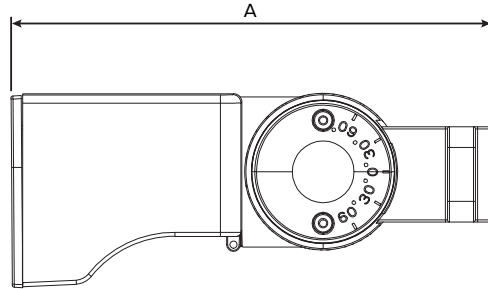
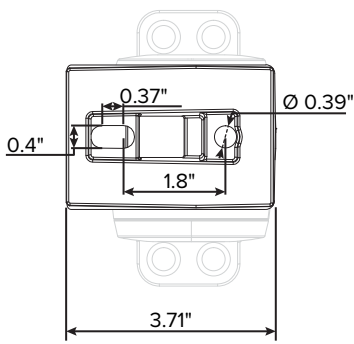
Install the ESL Vision Nova Fixture to the Direct Mount Pole Adaptor. (Fig 3). Once the fixture is seated properly onto the Pole Adaptor, tighten the top screw into the Direct Arm Mount (Fig 3). The wiring can be easily accessed by the hinged door on the Direct Arm Mount (Fig 4). Close the wiring door when the connections have been made.



WIRING DIAGRAM:

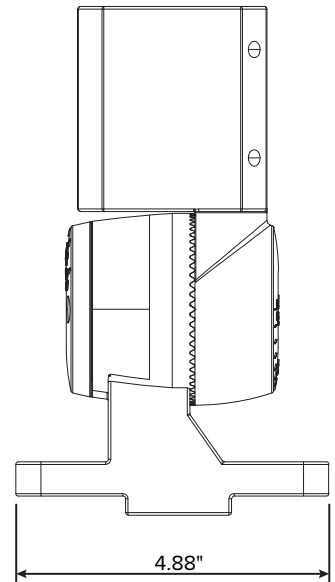
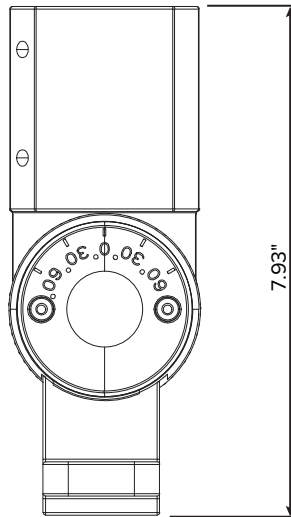
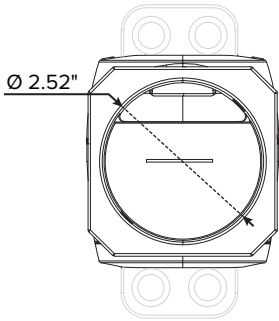


Direct Mount:



DIRECT MOUNT	DIMENSIONS		
	A	B	C
Direct Mount - Flat	9.18"	4.88"	FLAT
Direct Mount - 4"	9.46"	4.88"	Ø 4"
Direct Mount - 5"	9.38"	4.88"	Ø 5"

Slip Fitter:



Yoke Mount:

