

### Key Features & Benefits:

- Smallest Form Factor in Mogul-Base Category
  - 15% smaller than our previous generations
- Integrated 4kA/4kV Surge Protection
- Step-Down Thermal Management Protection
  - Wattage step-down circuit automatically prevents overheating due to high increases in ambient temperatures. Wattage returns to normal as temperatures decrease.
- Omnidirectional
- Rated for Fully Enclosed Fixtures
- Wet Location Approved
- Special Adaptor Transforms Base from E26 to E39
- Direct Retrofit for HID & CFL Fixtures - For use in:
  - Low Bays
  - Flood Lights
  - Wall Packs
  - Post Tops
  - And More!



Project: \_\_\_\_\_

Date: \_\_\_\_\_

Catalog #: \_\_\_\_\_

Notes: \_\_\_\_\_



### Technical Specifications:

Power: 28 Watts  
 Lamp Lumen Output: Up to 3,304 Lumens  
 Lamp Efficacy (lm/W): Up to 118 Lumens per Watt  
 Fixture Lumen Output: Up to 3,028 Lumens  
 Fixture Efficacy (lm/W): Up to 110 Lumens per Watt  
 Kelvin: 3000K, 4000K, 5000K  
 CRI: >80  
 Input Voltage: 120-277 VAC  
 Life Span: 50,000 Hours  
 Beam Angle: 300°  
 Base Types:  
 - S-M (E26 with E39 adaptor)  
 - EX39  
 Operating Temperature: -4 ~ 149°F (-20 ~ 65°C)  
 Power Factor: >0.95  
 Total Harmonic Distortion (THD): < 20%



No Fans



No Noise



No Bugs

ITEM#	WATTS	LAMP LUMEN OUTPUT	LAMP EFFICACY (lm/W)	FIXTURE LUMEN OUTPUT	FIXTURE EFFICACY (lm/W)	KELVIN
ESL-CL-28W-430S-M	28W	3,220	115	2,829	103	3000K
ESL-CL-28W-440S-M	28W	3,248	116	2,928	107	4000K
ESL-CL-28W-450S-M	28W	3,304	118	3,028	110	5000K

ITEM#	WATTS	LAMP LUMEN OUTPUT	LAMP EFFICACY (lm/W)	FIXTURE LUMEN OUTPUT	FIXTURE EFFICACY (lm/W)	KELVIN
ESL-CL-28W-430EX39	28W	3,220	115	2,829	103	3000K
ESL-CL-28W-440EX39	28W	3,248	116	2,928	107	4000K
ESL-CL-28W-450EX39	28W	3,304	118	3,028	110	5000K

### Ordering Guide:

Example Part Number: **ESL-CL-28W-430EX39**

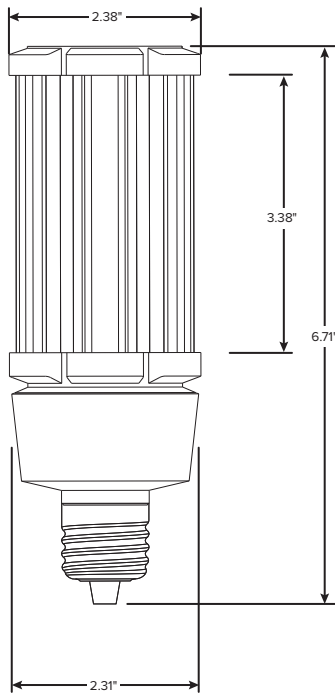
<b>ESL</b>	-	<b>CL</b>	-	<b>28W</b>	-	<b>4</b>	-		-	
ESL		TYPE		WATTS		GENERATION		KELVIN		BASE
		CL		28W (28 Watts)		4 (4th Generation)		30 (3000K) 40 (4000K) 50 (5000K)		S-M (E26/E39) EX39 (EX39)

### Options (Add as Suffix):

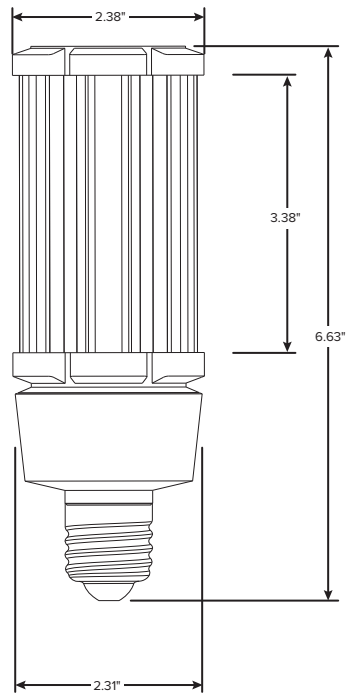
ESL-SP-277-1

Hard Wire Surge Protector; (100-277 VAC) Max Discharge Current: 20kA

### Dimensions:



**EX39 BASE**



**EX26 BASE**