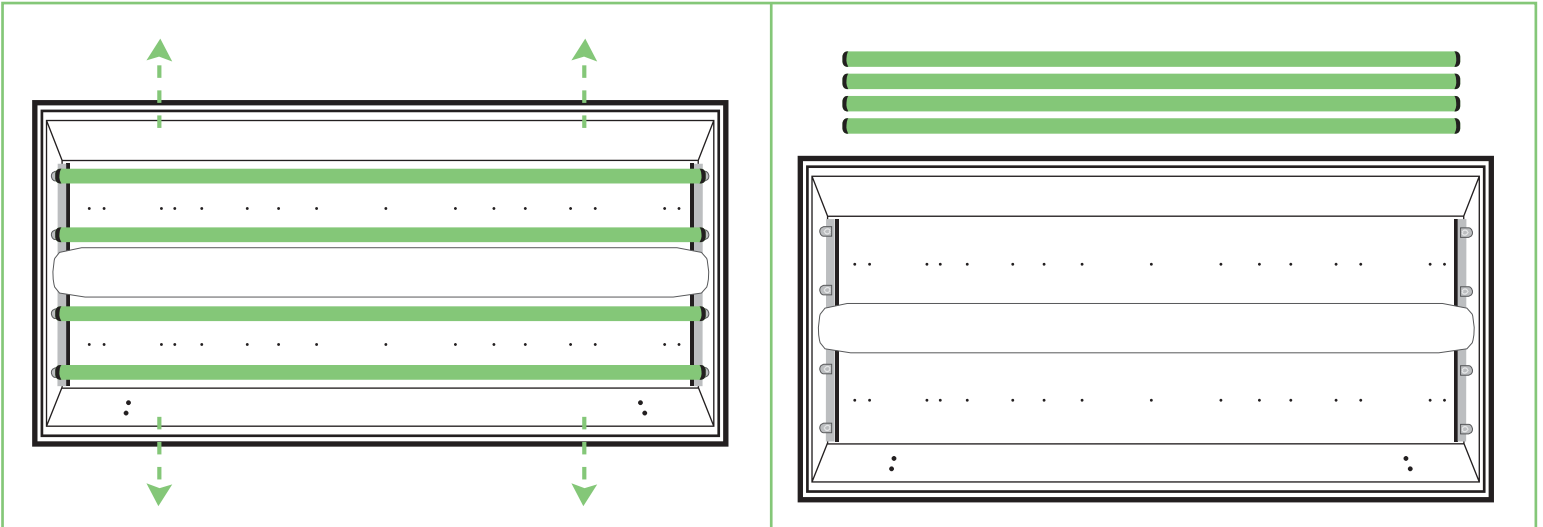
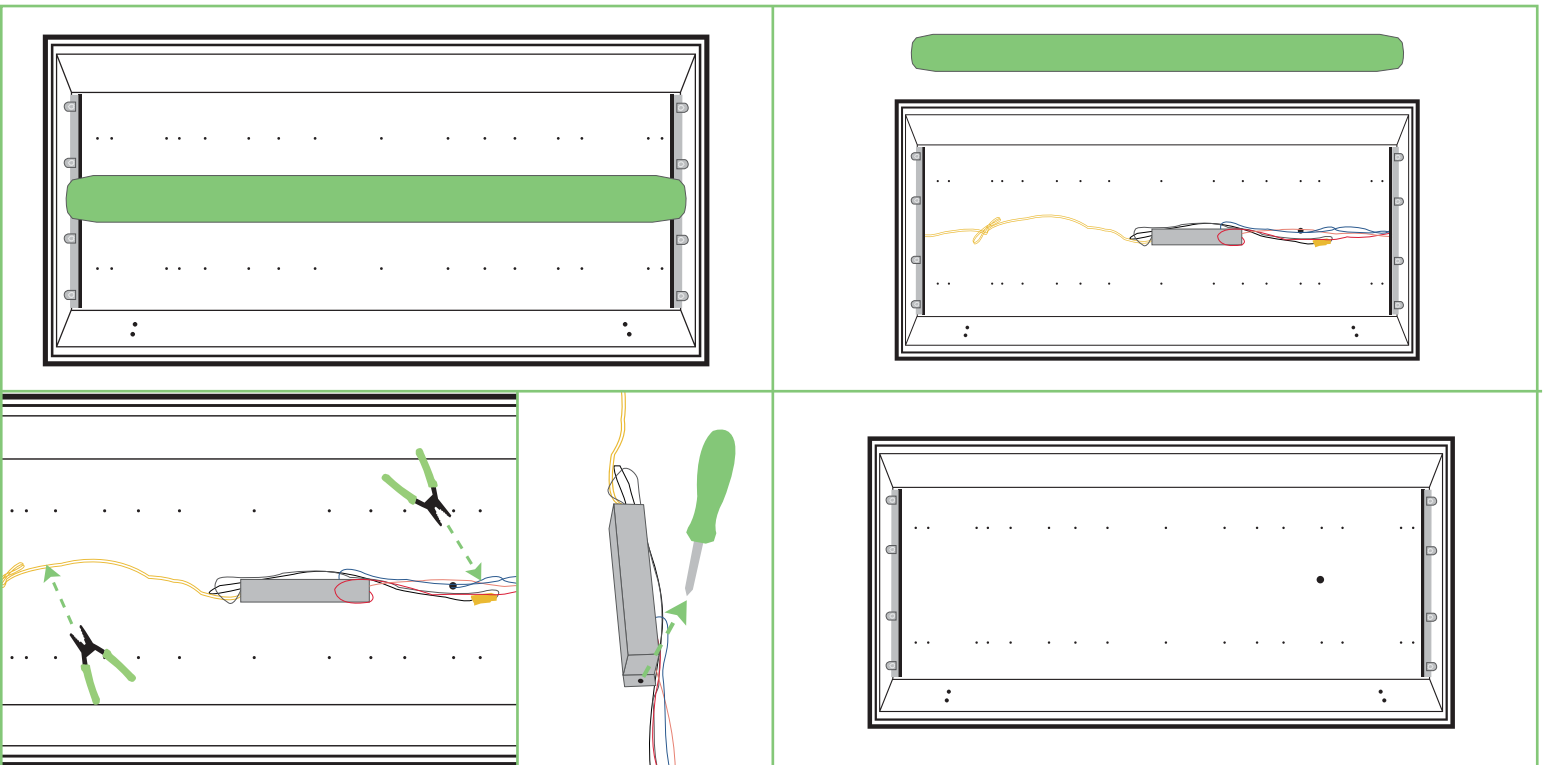


SAFETY PRECAUTIONS:

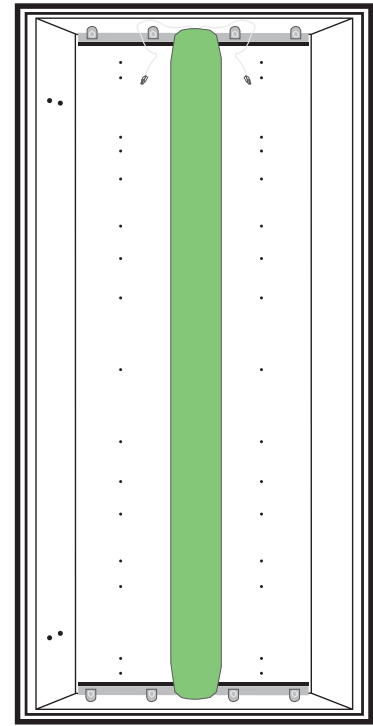
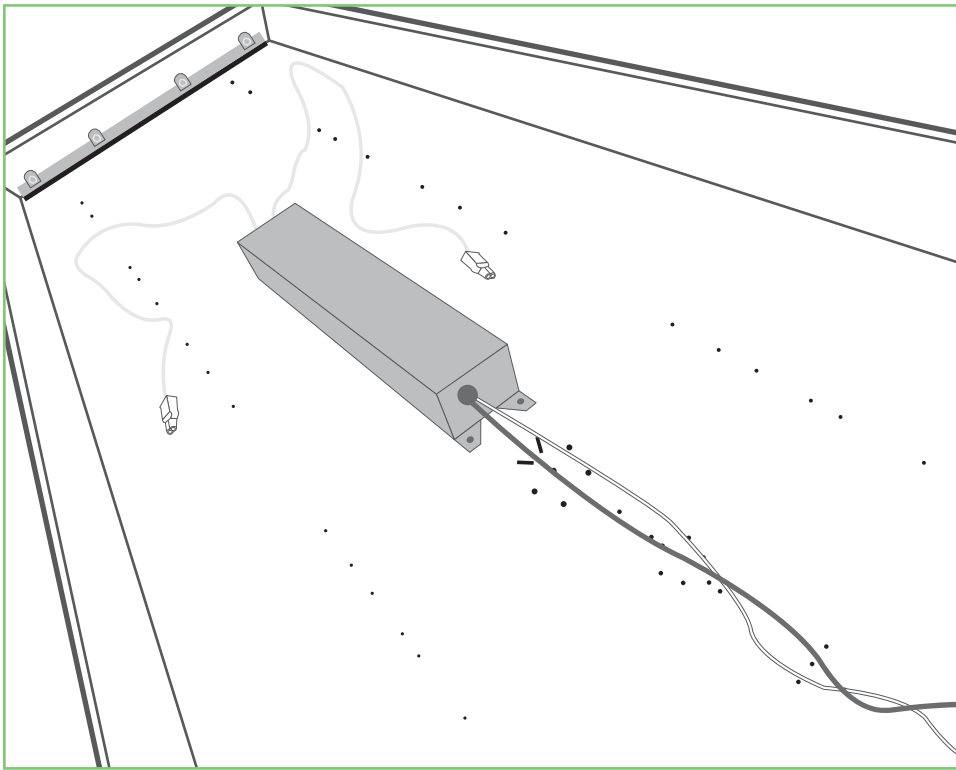
1. TURN OFF ELECTRICAL POWER BEFORE STARTING INSTALLATION OF LAMPS.
2. THIS PRODUCT MUST BE INSTALLED IN ACCORDANCE WITH THE APPLICABLE INSTALLATION CODE BY A PERSON FAMILIAR WITH THE CONSTRUCTION AND OPERATION OF THE PRODUCT AND THE HAZARDS INVOLVED.



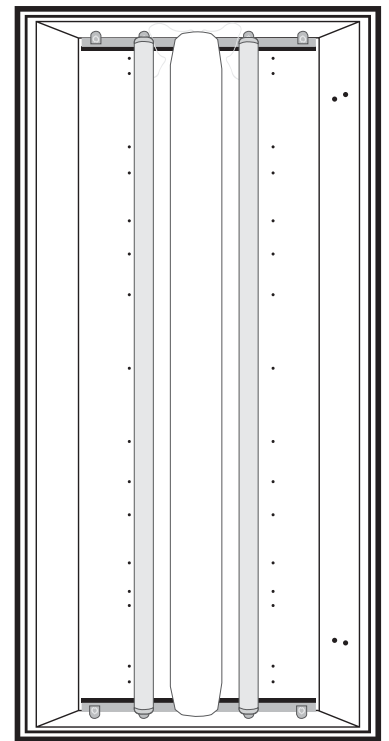
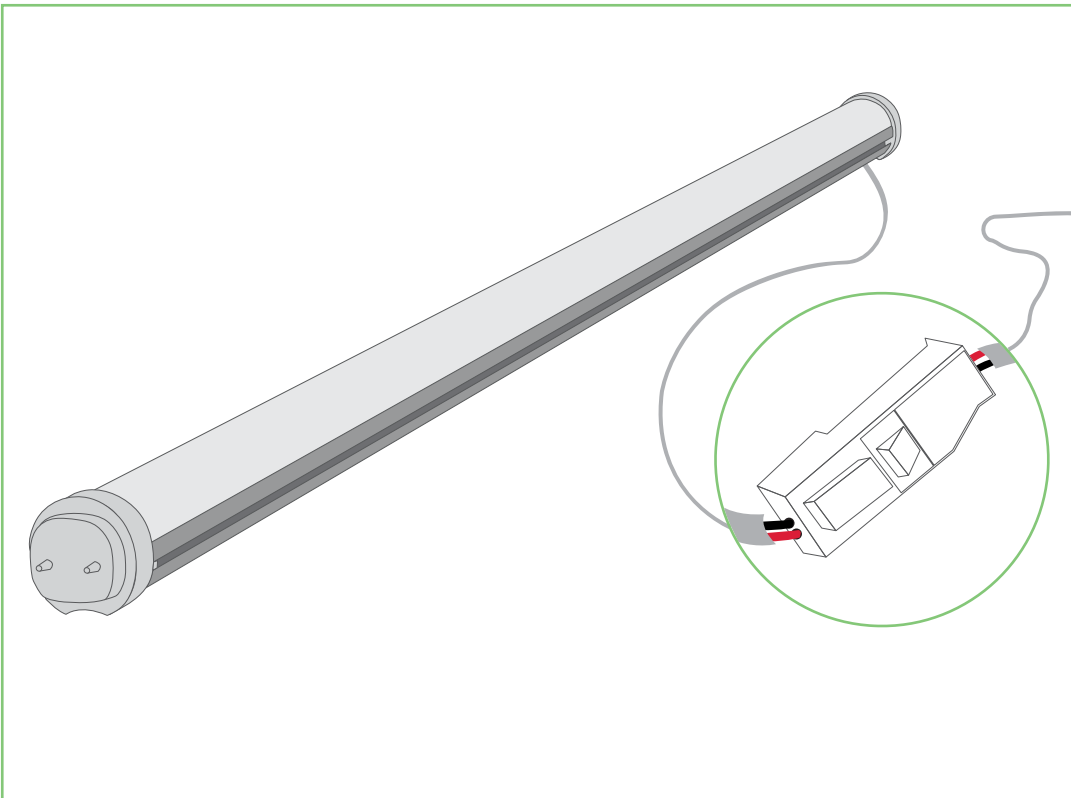
STEP 1: Remove existing fluorescent lamps. USE EXTREME CAUTION as lamps will be EXTREMELY hot.



STEP 2: Once the lamps are removed, remove the wiring compartment and disconnect the ballast.



STEP 3: Once the ballast is removed replace it with the ESL Vision Quick Connect Driver. The driver is designed to fit in the same location as the previous ballast. Pull the DC lines to the end of the wire compartment. Replace the ballast cover.



STEP 4: Utilize the existing tombstones to hold the Ti Tubes. Once the tubes are held in place simply connect the quick connects and push the lines back into the wire compartment.