

⚠️ WARNING

- To reduce the risk of death, personal injury or property damage from fire, electric shock, falling parts, cuts/abrasions, and other hazards read all warnings and instructions included with and on the fixture box and all fixture labels.
- Before installing, servicing, or performing routine maintenance upon this equipment, follow these general precautions.
- Commercial installation, service and maintenance of luminaires should be performed by a qualified licensed electrician.
- If you are unsure about the installation or maintenance of the luminaires, consult a qualified licensed electrician and check your local electrical code.
- To prevent wiring damage or abrasion, do not expose wiring to edges of sheet metal or other sharp objects.
- Do not make or alter any open holes in an enclosure of wiring or electrical components during kit installation.
- Turn off electrical power at fuse or circuit breaker box before wiring fixture to the power supply.
- Turn off the power when you perform any maintenance.
- Verify that supply voltage is correct by comparing it with the luminaire label information.
- All wiring connections should be capped with UL approved wire connectors.

⚠️ CAUTION

- Avoid direct eye exposure to the light source while it is on.
- Account for small parts and destroy packing material, as these may be hazardous to children.
- Risk of burn. Disconnect power and allow fixture to cool before changing bulb or handling fixture.

NOTICE: Green ground screw provided in proper location. Do not relocate.

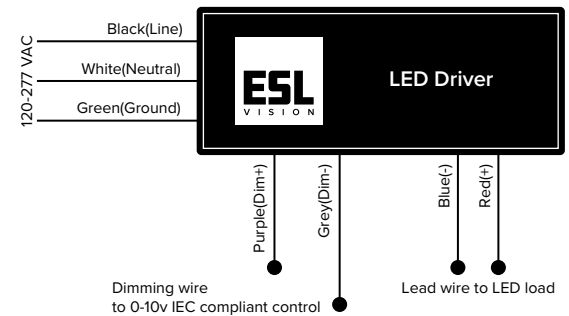
NOTICE: Minimum 90° supply conductors.

NOTICE: Specifications and dimensions subject to change without notice.

NOTICE: Suitable for Dry or Damp location.

NOTICE: For more information on commissioning please see the **ESL MOBILE APP OVERVIEW** guide.

General Wiring Diagram



A: Recessed Installation

Step 1: Remove ceiling plaster piece from recessed ceiling (see.Fig 1).

Step 2: Bend the 4 mounting hooks 90 degrees. (see.Fig 2).

Step 3: Connect the panel light to the AC power. (see.Fig 3).

Step 4: Mount the panel light into the recessed ceiling. (see.Fig 4).

Step 5: Confirm the panel light is securely mounted. Restore power. (see.Fig 5).

Figure 1:

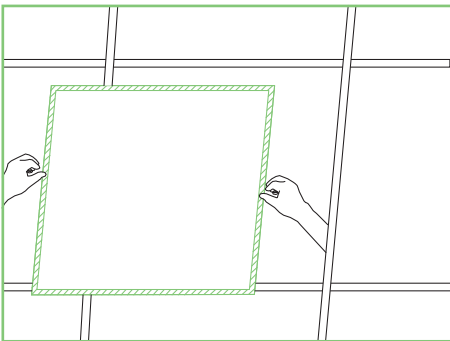


Figure 2:

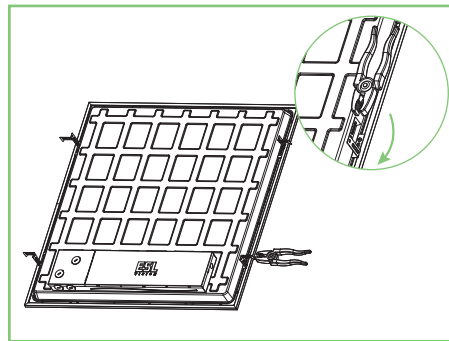


Figure 3:

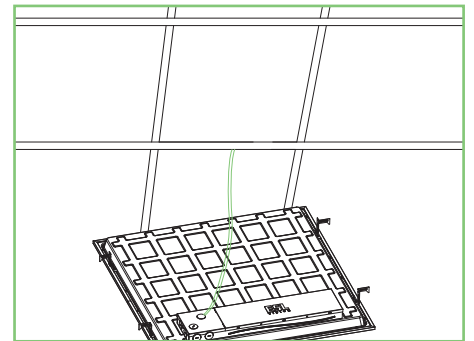


Figure 4:

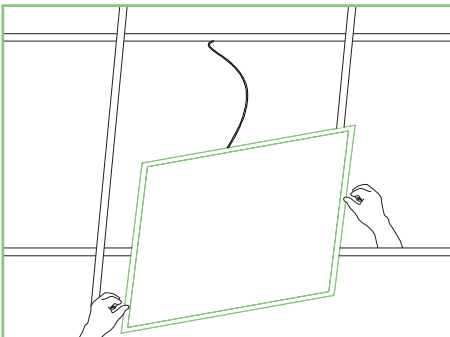
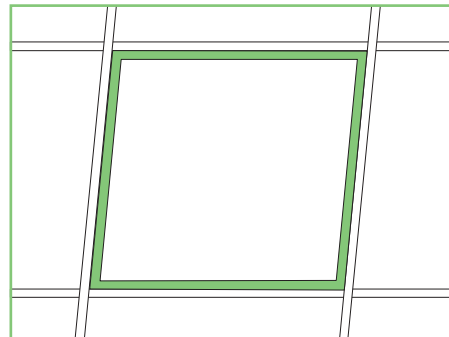


Figure 5:



B: Surface Mount Installation

- Step 1:** Assemble the surface mount frame using the provided ST4 screws (see.Fig 1).
- Step 2:** Install anchors into ceiling. Screw the surface mount frame to the ceiling using the provided screws (see.Fig 2).
- Step 3:** Unscrew and remove one side of the surface mount frame. Connect the panel light to AC power and insert panel light into the surface mount frame (see.Fig 3).
- Step 4:** Reinstall the side of the surface mount frame. Restore power (see.Fig 4).

Figure 1:

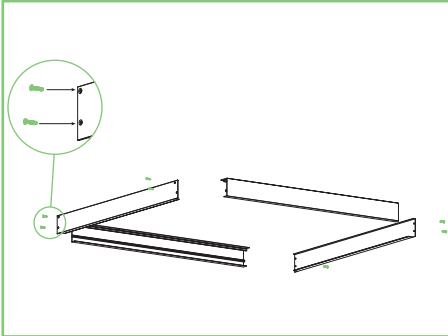


Figure 2:

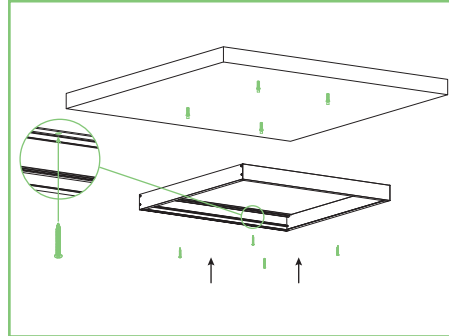


Figure 3:

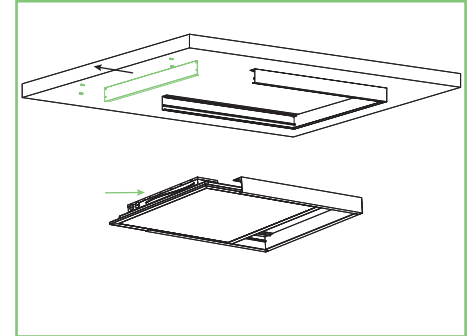
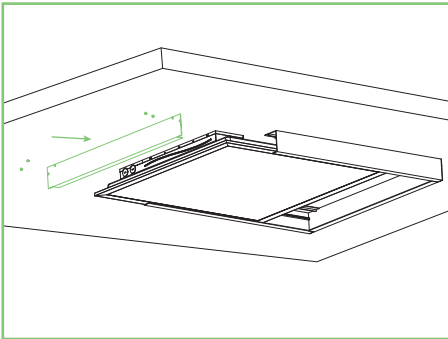


Figure 4:



C: Suspended Mount Installation

- Step 1:** Install mounting hooks to the panel light (see.Fig 1).
- Step 2:** Hook mounting cable to the 4 mounting hooks on the panel light (see.Fig 2).
- Step 3:** Drill two holes into ceiling. Install suspended ceiling mounting hardware (see.Fig 3).
- Step 4:** Install the panel light to the ceiling. Connect panel light to the AC power (see.Fig 4).

Figure 1:

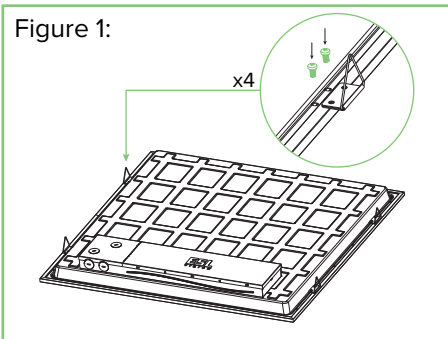


Figure 2:

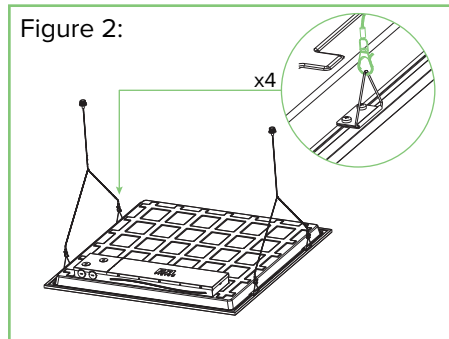


Figure 3:

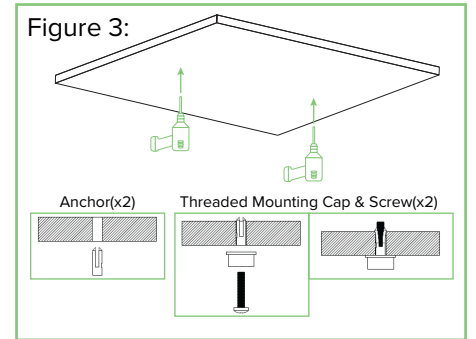
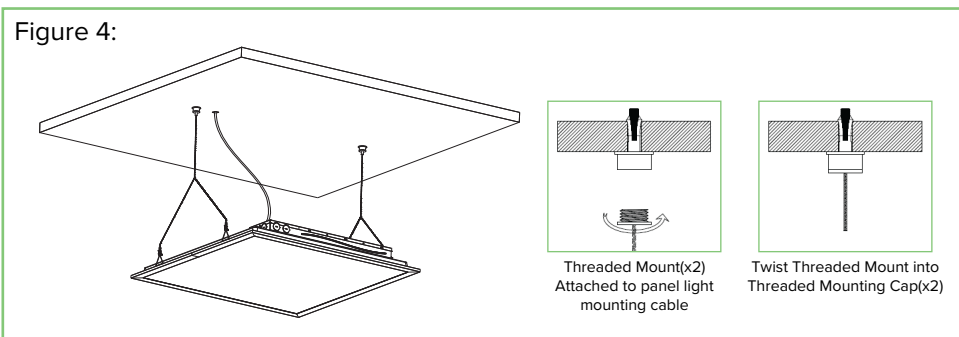
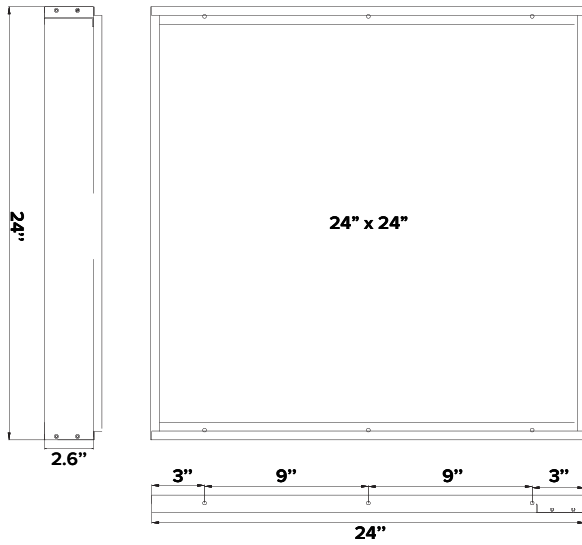


Figure 4:

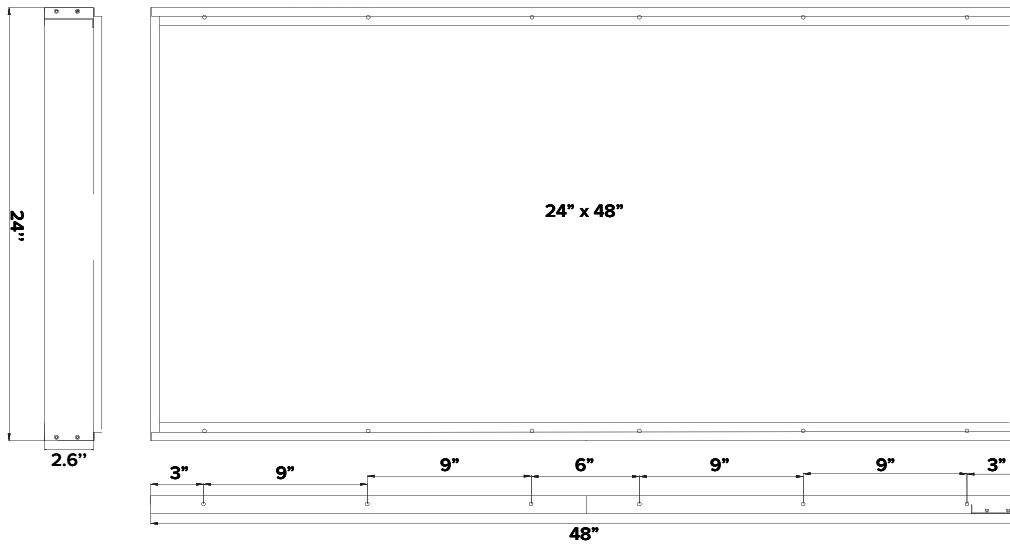


Surface Mount Dimensions

2' x 2' Panel



2' x 4' Panel



1' x 4' Panel

