

Product Features:

- Wattage and Kelvin Selectable
- Wet Location
- 0–10V Dimming
- Robust Housing with Stainless Steel Tamper-Resistant Hardware
- Included Surface Mount Kit

Project: _____

Date: _____

Catalog #: _____

Notes: _____

Product Specifications:

Selectable Wattage: 38W, 46W, 54W
 Selectable Kelvin: 3000K, 4000K, 5000K
 Lumens: Up to 7,020
 Efficacy: Up to 130 lm/W
 Input Voltage Options: 120–277 VAC
 Input Frequency: 50/60 Hz
 Operating Temperature: -4°F to 113°F (-20°C to 45°C)
 Dimming: 0–10V Dimmable
 CRI: >80
 Beam Angle: 110°
 Warranty: 5 Years
 L70 Lifetime 100,000 hrs Calculated per TM21
 Dimensions: 5.1" x 49.8" x 3.6"
 Weight (lbs): 7.05



Ordering Guide:

ESL	FAMILY	SIZE	SELECTABLE WATTAGE	GENERATION	SELECTABLE KELVIN	OPTIONS
ESL	VP (VP) Vapor Tight	4 (4) 4 Foot	3854W (3854W) 38W, 46W, 54W	1 (1) 1st Generation	3050K (3050K) 3500K, 4000K, 5000K	

FACTORY INSTALLED OPTIONS

EM5 (SL3)	Emergency backup battery unit, auto test function, 5 watt output, 90 minutes minimum, 120–277 VAC input, 20–250 VDC output, closed lead wiring, UL listed for factory or field install
EM9 (SL1-OTB)	Emergency backup battery unit, auto test function, 9 watt output, 90 minutes minimum, 120–277 VAC input, 10–300 VDC output, open terminal block wiring, UL listed for factory or field install, title 20
5DHOC	Bi-Level daylight harvesting and occupancy microwave sensor 12V–24VDC

FIELD INSTALLED ACCESSORIES

ESL-ACCS-JC-KIT-S2	V-hook with chains, set of 2, 3 feet
ESL-ACCS-JC-KIT-S3	V-hook with chains set of 3, 3 feet
ESL-ACCS-AC-10FT-S2	3M adjustable aircraft cable kit , set of 2, 10 feet
ESL-ACCS-AC-10FT-S3	3M adjustable aircraft cable kit , set of 2, 10 feet
ESL-REM-100	Hand held remote

Catalog Data:

ITEM#	SELECTABLE WATTAGE	SELECTABLE KELVIN	MAX LUMEN OUTPUT	MAX EFFICACY (lm/w)	DIMENSIONS
2' VAPOR TIGHT ESL-VP2-2030W-13050	20W, 25W, 30W	3000K, 4000K, 5000K	3,900	130	5" x 24.8" x 3.6"
4' VAPOR TIGHT ESL-VP4-3854W-13050	38W, 46W, 54W	3000K, 4000K, 5000K	7,020	130	5.1" x 49.8" x 3.6"
8' VAPOR TIGHT ESL-VP8-6590W-13050	65W, 75W, 90W	3000K, 4000K, 5000K	11,700	130	5" x 94.6" x 3.6"

Electrical Load — Standard Voltage:

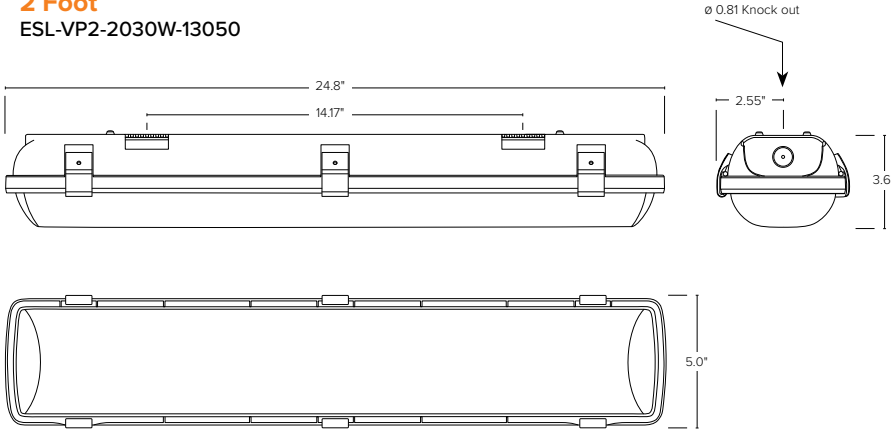
SYSTEM WATTS	INPUT CURRENT				INPUT WATTAGE	INPUT FREQUENCY	POWER FACTOR	THD	OPERATING TEMPERATURE	DIMMING
	120 VAC	208 VAC	240 VAC	277 VAC						
20	0.17	0.10	0.08	0.07	120–277 VAC	50/60 Hz	>0.9	<20%	-4°F to 122°F (-20°C to 50°C)	0–10V Dimming
25	0.21	0.12	0.10	0.09	120–277VAC	50/60 Hz	>0.9	<20%	-4°F to 122°F (-20°C to 50°C)	0–10V Dimming
30	0.25	0.14	0.13	0.11	120–277VAC	50/60 Hz	>0.9	<20%	-4°F to 122°F (-20°C to 50°C)	0–10V Dimming
38	0.32	0.18	0.16	0.14	120–27 7VAC	50/60 Hz	>0.9	<20%	-4°F to 122°F (-20°C to 50°C)	0–10V Dimming
46	0.38	0.22	0.19	0.17	120–277 VAC	50/60 Hz	>0.9	<20%	-4°F to 122°F (-20°C to 50°C)	0–10V Dimming
54	0.45	0.26	0.23	0.19	120–277 VAC	50/60 Hz	>0.9	<20%	-4°F to 122°F (-20°C to 50°C)	0–10V Dimming
65	0.54	0.31	0.27	0.23	120–277VAC	50/60 Hz	>0.9	<20%	-4°F to 122°F (-20°C to 50°C)	0–10V Dimming
75	0.63	0.36	0.31	0.27	120–27 7VAC	50/60 Hz	>0.9	<20%	-4°F to 122°F (-20°C to 50°C)	0–10V Dimming
90	0.75	0.43	0.38	0.32	120–277 VAC	50/60 Hz	>0.9	<20%	-4°F to 122°F (-20°C to 50°C)	0–10V Dimming

Lumen Ambient Temperature (LAT) Multipliers:

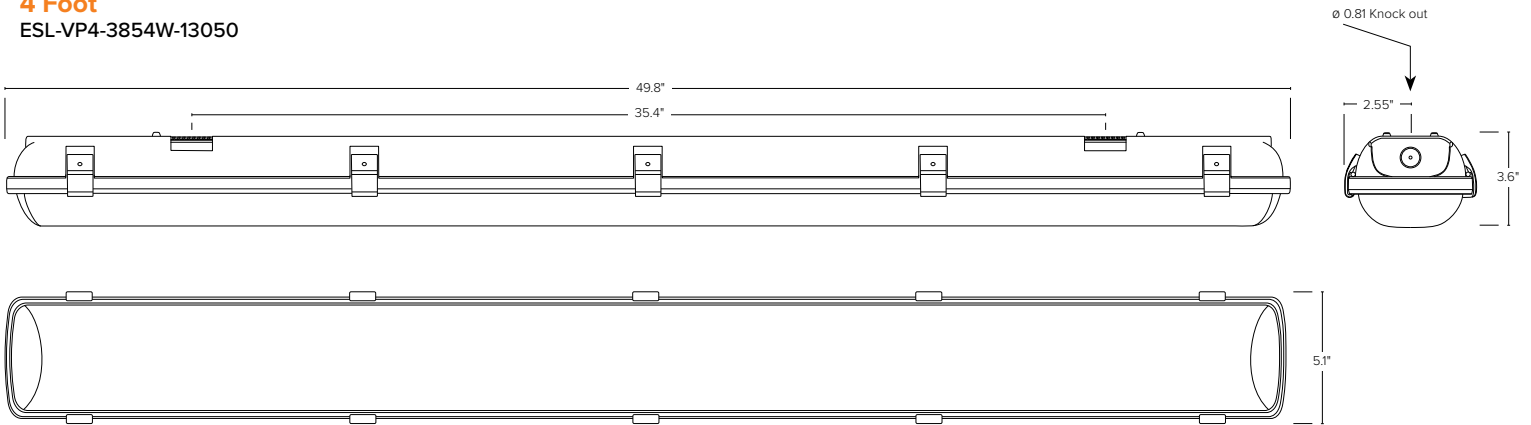
AMBIENT		LUMEN MULTIPLIER
0 °C	32 °F	1.02
10 °C	50 °F	1.01
20 °C	68 °F	1.00
25 °C	77 °F	1.00
30 °C	86 °F	1.00
40 °C	104 °F	0.99
50 °C	122 °F	0.96

Dimensions:

2 Foot
ESL-VP2-2030W-13050



4 Foot
ESL-VP4-3854W-13050



8 Foot
ESL-VP8-6590W-13050

