



4' High Lumen Output Strip Light

4900 lms | 120-277VAC | Part ST-4FT-4900LM-50K-MV-LVD-EM

- > Energy Saving 33Watt Integrated LED
- > Daylight 5000k CCT
- > Battery Back-Up Compatible
- > Lasts 45 years or 50,000 Hours Continuous Use
- > 5 Year Limited Warranty



SPECIFICATIONS

Model No.	556101620
Part	ST-4FT-4900LM-50K-MV-LVD-EM
Description	4' High Lumen Output Strip Light - with build in Battery Back-up
Input Voltage (VAC)	120-277
Wattage	33
Dimmability	0-10V Dimmable
Average Rated Life ¹	50,000 hours
Typical Lumens ²	4900
CCT ³	5000k
Location Rating	UL Damp
CRI ⁴	≥80
Beam Angle	100
Operating Temperature	Min -4°F (-20° C), Max 113°F (45° C)
Power Factor	>0.9
R9	1
DUV	0.0030
CBCP	1140
Operating Frequency (Hz)	50/60

¹ Hours lifetime with 70% lumen maintenance

² Thermally stable typical lumens (±10%)

³ Thermally stable CCT (±10%)

TO ORDER:

www.ETiSSL.com

Call: 1.855.ETi.SSLI

1.855.384.7754



4' High Lumen Output Strip Light

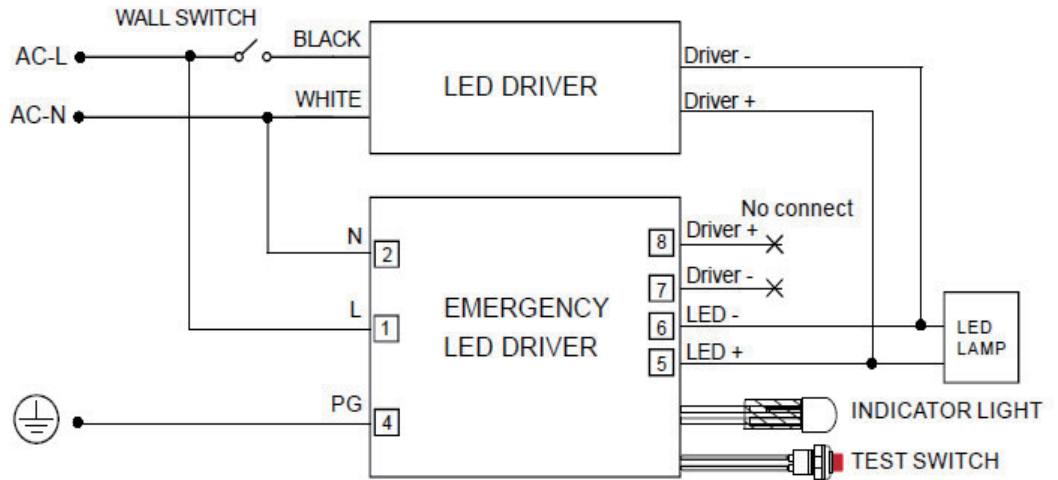
4900 lms | 120-277VAC | Part ST-4FT-4900LM-50K-MV-LVD-EM

BUILT-IN BATTERY BACK-UP

Wattage	4w
Input Voltage	AC100-347V
Charge Time	24H
Discharge Time	1.5H
Emergency Time	90min



WIRING DIAGRAM



This device complies with part 15 of the FCC Rules. Operation is subject to the following two conditions: (1) This device may not cause harmful interference, and (2) this device must accept any interference received, including interference that may cause undesired operation. For FCC Part 15 user information, Please see www.ETiSSL.com/fcc15b

TO ORDER:
www.ETiSSL.com
Call: 1.855.ETi.SSLI
1.855.384.7754

ETi Solid State Lighting, Inc.
720 Northgate Parkway
Vernon
Wheeling, IL 60090
Phone: 855.384.7754
Fax: 847.383.6256