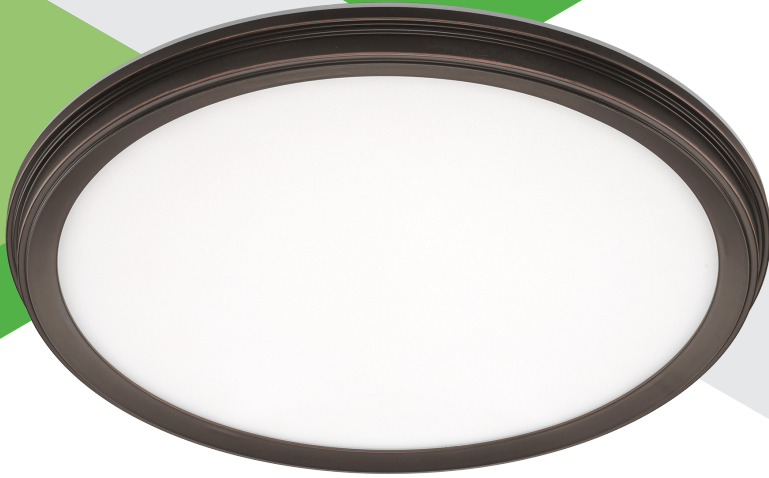


13" LowPro Oil Rubbed Bronze
Decorative Flushmount with Nightlight
MODEL# 56576113 | 1,758 LUMENS | 16.8 W | 104.6 LPW | 3 CCT



With our
NightLIGHT
trim

13" LOWPRO OIL RUBBED BRONZE DECORATIVE FLUSHMOUNT WITH NIGHTLIGHT **SUPERIOR VALUE & PERFORMANCE**



PRODUCT OVERVIEW

ETI SSL's 13" LowPro Oil Rubbed Bronze Decorative Flushmount with Nightlight is a contemporary alternative to your traditional ceiling light or recessed lights. It is designed for easy installation by using the existing junction box or a canless drywall opening; using ETI's optional remodel box accessory. Prior to installation, choose between three light output options: soft white, bright white, or daylight by simply toggling the switch located on the back of the fixture. The integrated accent/nightlight delivers an extra-soft amber glow to add accent lighting to any room. Toggle the wall switch from on/off/on, within a 3 second window, to change from the area light and accent/nightlight.

The 13" Decorative Flushmount emits 1,758 Lumens of brightness using only 16.8 Watts of electricity, thus reducing energy consumption. This unit is ideal for kitchen, pantry, bedrooms, bathrooms, closets, stairways, hallways, basement, laundry room, craft room, playroom, office, retail store, boutique and more due to its damp location rating and its sleek design.

Our entire team takes great pride in our dedication to providing innovative in-stock lighting solutions that typically ship in 2-3 days with the product reliability and quality that you can always depend on from ETI SSL.

STOCK ORDERING INFORMATION (typical 2-3 day shipment lead time)^{1,2}

Catalog Logic/PT#	Model #	UPC	Size	Lumens	Wattage	LPW	CCT	CRI	Voltage	Dimming	Energy Star ²
FMNL-13IN-1350LM-8-CP3-SV-TD-ORB	56576113	849489065113	13"	1,758	16.8	104.6	3 CCT	80 (min)	120	Triac Dimming	Yes

Notes:

1. Stock SKUs typically ship in 24-48 hours upon receipt of an approved released order.
2. Search first 6-digits of the model # followed by '##' on the ENERGY STAR® website database...(Ex. '56576###') to view certifications.

FMNL Series

13" LowPro Oil Rubbed Bronze Decorative Flushmount with Nightlight
 Model# 56576113 | 1,758 Lumens | 16.8 W | 104.6 LPW | 3 CCT | ENERGY STAR® | 5-yr Warranty

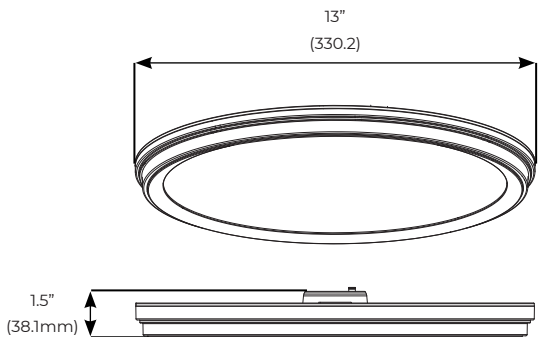
CATALOG LOGIC | PART# DECODER^{1,2}

FMNL-13IN-1350LM-8-CP3-SV-TD-ORB (Model # 56576113)

FMNL	13	1350	8	CP3	SV	TD	ORB
Series	Size	Nominal Lumens	CRI	CCT	Voltage	Dimming	Color
FMNL Flushmount Nightlight	13IN 13" Diameter	1350LM 1350 Lumens	8 80CRI (minimum)	CP3 3000K 4000K 5000K	SV 120V	TD Triac Dimming	ORB Oil Rubbed Bronze

Notes:
 1. This product is not configurable, only designated 'Stock' SKUs are available.
 2. Decoder is to help clarify Catalog Logic/Part # configurations only (see Stock Ordering Information for available SKUs).

KEY DIMENSIONAL INFORMATION



Note: All dimensions are shown in inches (millimeters).

MISCELLANEOUS PRODUCT SPECS & DETAILS

Load Information

Power Factor	>0.9
THD	< 20%
Frequency	60 Hz
Sound Rating	< 20 Dba
Low Temp Start	-20° C (-4° F)
Max Temp	45° C (113° F)
Unit Weight	2.3 lbs

Lumen Maintenance

Ambient Temperature	TM-21 Lumen Maintenance (50,000 hours)
25° C (77° F)	> 89.34%
Ambient Temperature	TM-21 Theoretical L70 (hours)
25° C (77° F)	155,000

Shipping Information*

Size	Unit Weight¹	Pallet²
13" unit	2.3 lbs	216 units per pallet

1. Case pack weighs 9.2 lbs (4 units / per case pack).
 2. There are 54 case packs per pallet.

AVAILABLE STOCK ACCESSORIES

(must be ordered separately)



Optional Installation Accessories (field installed)

Catalog Logic/PT#	Model #	Description
FLDL-RETROFITKIT	95657811101	Torsion Spring w/ E26 Adapter Kit



Emergency LED Driver/BBU (field installed)

Catalog Logic/PT#	Model #	Description
EMA25FY-170 (G2)	70112202	25W, IP rated, 90 minutes, Square
EMA25FY-170 (G3)	70112202-2	25W, IP rated, 90 minutes, Square
EMA40FY-170 (G3)	70114402-2	40W, IP rated, 90 minutes, Square
EMUFO-25170-YY (G3)	70112201-2	25W, IP rated, 90 minutes, Round
EMUFO-40170-YY (G2)	70114401	40W, IP rated, 90 minutes, Round
EMUFO-40170-YY (G3)	70114401-2	40W, IP rated, 90 minutes, Round

PHOTOMETRIC DETAILS

Luminaire Data: FMNL-13IN-1350LM-8-CP3-SV-TD-ORB

IES File Name	56576113.IES
CCT & CRI	3CCT, 80CRI minimum
Initial Delivered Lumens	1,758
Wattage	16.8W
Efficacy	104.6
Beam Angle	50% = 111.7° 10% = 161.5°
Spacing	0° = 1.24 90° = 1.26

Photometric values based on tests performed in compliance with LM-63 & LM-79.

Indoor Candela Plot

