

ARDL | ALTAIR RETROFIT DOWNLIGHTS
ARDG | ALTAIR RETROFIT GIMBAL DOWNLIGHTS
 5 CCT COLOR PREFERENCE® | DETACHABLE E26 BASE

KEY FEATURES

- Luminaire uses ETI Lighting's patented Color Preference with 5 Selectable CCTs (2700K, 3000K, 3500K, 4000K, 5000K)
- 90+ CRI (JA8 Title 24 Compliant)
- Single-Volt 120V, TRIAC Dimming
- Gimbal options for a variety of applications
- Wet location

SPECIFICATIONS

Construction

- Durable die-cast aluminum
- Matte white finish
- ARDL has baffle trim to further minimize glare

Optics

- High impact, polymer diffuser lens for zero pixelation and overall visual comfort
- Uniform, even light distribution
- Gimbal downlights offers 350° rotation and 30° tilt

Installation

- Two low-profile spring retention clips for a secure fit
- Easy to install. Includes detachable E26 base
- Field select one of five CCTs at installation with an integral switch accessible on back of fixture. Factory set to 2700K.

Electrical

- > 65,000 hour LEDs at L70 lumen maintenance
- Operates at 120V, 60Hz
- TRIAC dimming, down to 10%* (120V)
- Operating Temperature: -4°F to 104°F (-20°C to 40°C)
- ETI's patented 5 CCT COLOR PREFERENCE® allows for easy field-adjustable color temperature selection with switch located on J-Box

* Always consult dimmer manufacturer for proper use, installation and compatibility (some dimmers may require a neutral in the wall box).

Warranty

5-Year Standard Warranty. See terms at: ETISSL.com/warranty/

KEY DATA	
LUMEN RANGE	757-1087
WATTAGE RANGE	8-10.5
EFFICACY RANGE (LPW)	91-109 (BASED ON 3500K)
REPORTED LIFE (HOURS)	L70 / > 65,000

DATE:	PROJECT:
TYPE:	NOTES:
CATALOG #:	



DETACHABLE E26 BASE

Can be used with sockets or removed to hard wire.



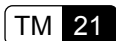
FLEXIBLE ILLUMINATION
350° ROTATION | 30° TILT

Direct light where it's needed most with Gimbal option.

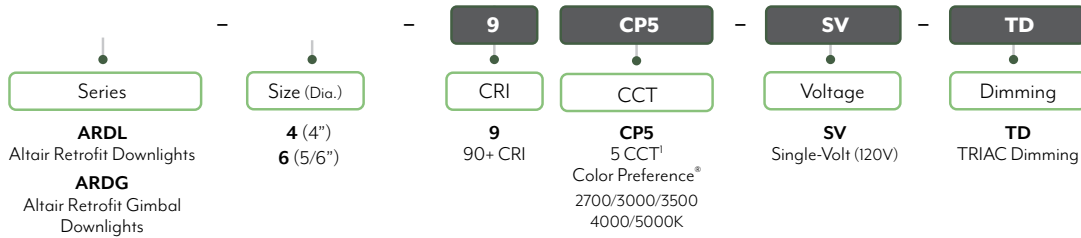


Certifications & Test Data

- All luminaires are UL Listed (UL, C) for Wet Location
- Adheres to LM63, LM79, LM80 and TM21 industry standards for photometric, lumen maintenance and lifetime calculations
- ENERGY STAR® rated (See Page 3 for search info.)
- Product can be used to comply with California Title 24 Efficiency Standards
- JA8 Title 24 Compliant



CATALOG LOGIC



Notes:

1. Factory set at 2700K. Installing contractor responsible for ensuring desired CCT is selected during installation.

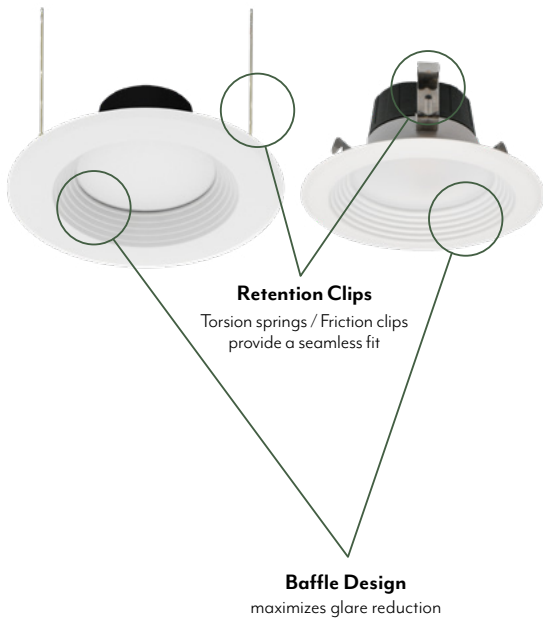
STOCK ORDERING INFORMATION

CATALOG PART NUMBER	ORDER NUMBER	DESCRIPTION (DIA)	CASE QTY	CRI	CCT (CP5)	WATTS (NOM.)	LUMEN PKG. ¹	DELIVERED LUMENS	LPW	VOLTAGE	DIM	ENERGY STAR ²
ARDL-4-9CP5-SV-TD	63318101	4" Altair Retrofit Downlight, 120V, TRIAC Dim	6	90+	2700K	8	700	757	98	120V	TRIAC	YES
					3000K	8	700	784	102			
					3500K	8	700	826	109			
					4000K	8	700	835	108			
					5000K	8	700	807	103			
ARDL-6-9CP5-SV-TD	63319101	5/6" Altair Retrofit Downlight, 120V, TRIAC Dim	6	90+	2700K	10.5	900	966	99	120V	TRIAC	YES
					3000K	10.5	900	1024	106			
					3500K	10.5	900	1076	112			
					4000K	10.5	900	1087	113			
					5000K	10.5	900	1054	108			
ARDG-4-9CP5-SV-TD	63320101	4" Altair Retrofit Gimbal Downlight, 120V, TRIAC Dim	4	90+	2700K	8	700	748	97	120V	TRIAC	YES
					3000K	8	700	790	104			
					3500K	8	700	834	111			
					4000K	8	700	851	113			
					5000K	8	700	845	108			
ARDG-6-9CP5-SV-TD	63321101	5/6" Altair Retrofit Gimbal Downlight, 120V, TRIAC Dim	4	90+	2700K	10	900	945	98	120V	TRIAC	YES
					3000K	10	900	998	105			
					3500K	10	900	1039	111			
					4000K	10	900	1046	111			
					5000K	10	900	1014	106			

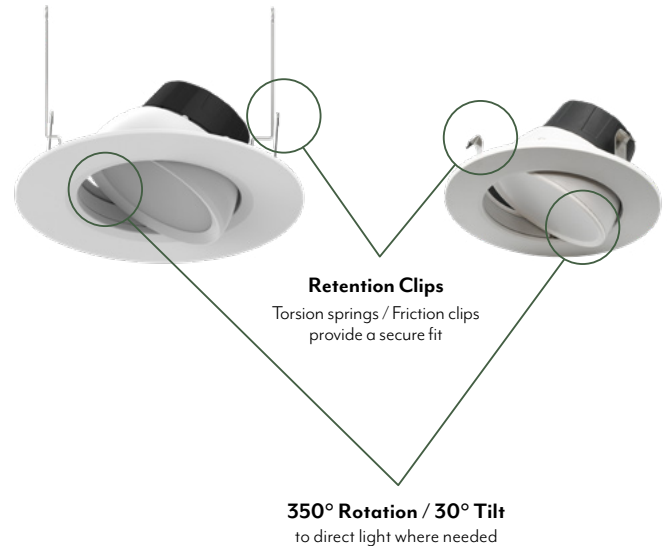
Notes: 1. For more delivered lumens and test data see page 4, or visit ETISSL.com 2. ENERGY STAR[®] search catalog part number. Example: ARDL-4-9CP5-SV-TD

PRODUCT DETAILS

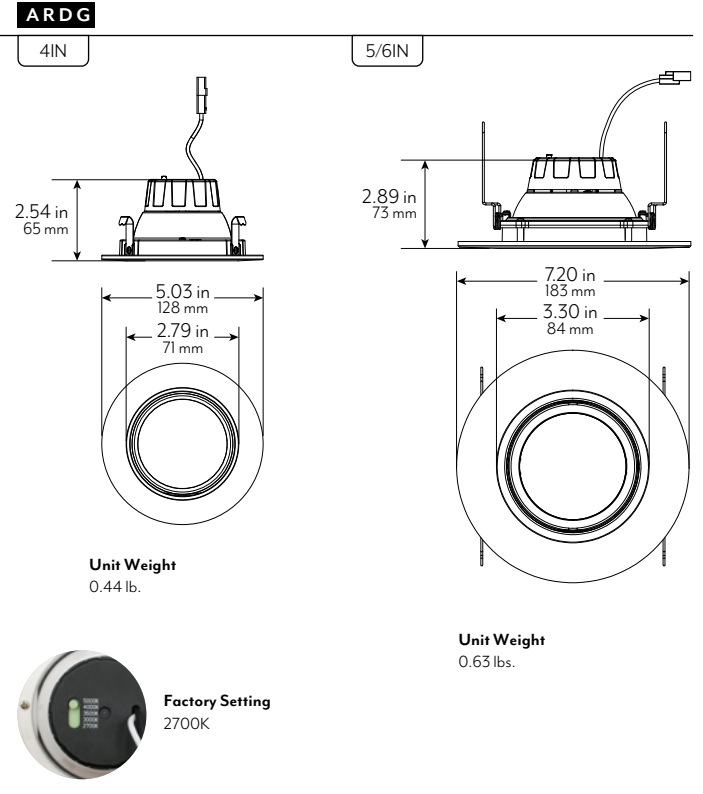
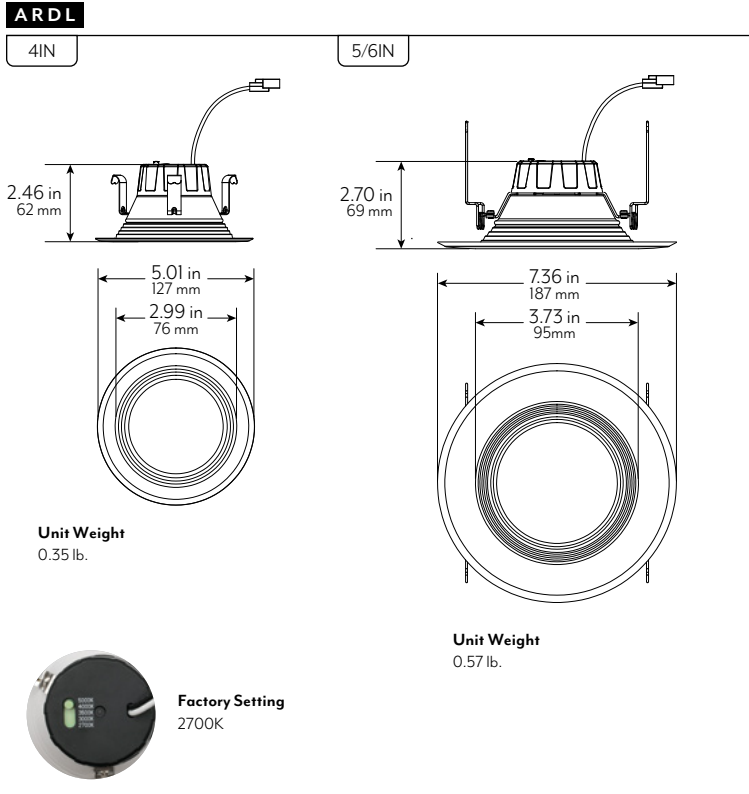
ARDL



ARDG



DIMENSIONS / DETAILS



PERFORMANCE / Data

Lumen Maintenance

Ambient Temp.	TM-21 Lumen Maintenance (54,000 hours)
25° C (77° F)	74.97%
Ambient Temp.	TM-21 Theoretical L70 (hours)
25° C (77° F)	> 65,000

Load Information

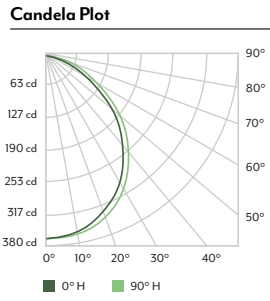
Power Factor	> 0.90
THD	< 20%
Frequency	60 Hz
Low Temp Start / Max Temp	-25° C (-13° F) / 40° C (104° F)

PHOTOMETRIC SAMPLES

ARDL

Luminaire Data: 120V
ARDL-4-9CP5-SV-TD, 3500K

CCT & CRI	3500K, 90+ CRI
DELIVERED LUMENS	826
WATTAGE	7.6W
EFFICACY	109
BEAM ANGLE	50%=96° 10%=142°
SPACING	0° = 1.20 90° = 1.19



Photometric values based on tests performed in compliance with LM-63 & LM-79

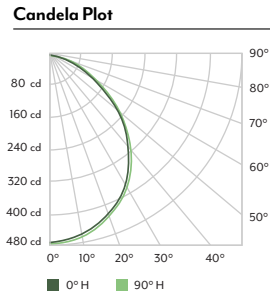
Zonal Lumen Summary

Zone	Lumens	% Luminaire
0-30	279.4	33.8%
0-40	446.3	54.0%
0-60	721.4	87.3%
0-90	826.5	100.0%

96°
Beam Angle

Luminaire Data: 120V
ARDL-6-9CP5-SV-TD, 3500K

CCT & CRI	3500K, 90+ CRI
DELIVERED LUMENS	1076
WATTAGE	9.6W
EFFICACY	112
BEAM ANGLE	50%=141.0° 10%=97°
SPACING	0° = 1.20 90° = 1.20



Photometric values based on tests performed in compliance with LM-63 & LM-79

Zonal Lumen Summary

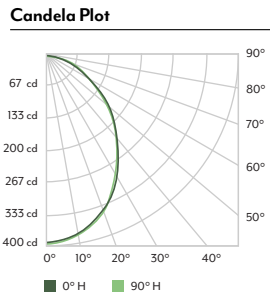
Zone	Lumens	% Luminaire
0-30	360.5	33.5%
0-40	579.4	53.8%
0-60	945.6	87.9%
0-90	1,076.0	100.0%

97°
Beam Angle

ARDG

Luminaire Data: 120V
ARDG-4-9CP5-SV-TD, 3500K

CCT & CRI	3500K, 90+ CRI
DELIVERED LUMENS	834
WATTAGE	7.5W
EFFICACY	111
BEAM ANGLE	50%=147.9° 10%=88.3°
SPACING	0° = 1.12 90° = 1.11



Photometric values based on tests performed in compliance with LM-63 & LM-79

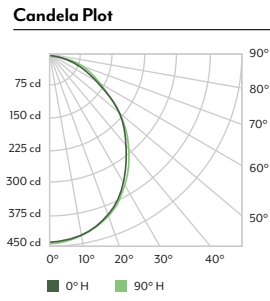
Zonal Lumen Summary

Zone	Lumens	% Luminaire
0-30	286.8	34.4%
0-40	448.2	53.7%
0-60	710.9	85.2%
0-90	834.0	100.0%

88°
Beam Angle

Luminaire Data: 120V
ARDG-6-9CP5-SV-TD, 3500K

CCT & CRI	3500K, 90+ CRI
DELIVERED LUMENS	1039
WATTAGE	9.4W
EFFICACY	111
BEAM ANGLE	50%=97° 10%=151°
SPACING	0° = 1.19 90° = 1.19



Photometric values based on tests performed in compliance with LM-63 & LM-79

Zonal Lumen Summary

Zone	Lumens	% Luminaire
0-30	333.6	32.1%
0-40	532.1	51.2%
0-60	877.2	84.4%
0-90	1,039.4	100.0%

97°
Beam Angle

DIMMER COMPATIBILITY LIST

DIMMER BRAND	SERIES	DIMMER MODEL
TRIAC DIMMERS		
LUTRON	Maestro C-L	MACL-153M
LUTRON	Skylark C-L	SCL-153P
LUTRON	Diva C-L	DVCL-153P
LEGRAND	Radiant	RHCL453PTC
LEGRAND	Harmony	DCL453PTCCCV6
LEGRAND	Harmony	HCL453PTCCCV6
LUTRON	Skylark	CTCL-153PDH-WH
LUTRON	Toggle	TGCL-153PH-WH
LEVITON	Illumena Tech	R50-IPL06-10M
LUTRON	Diva C-L	DVWCL-153PH-WH
LUTRON	Diva	DVCL-153P
LUTRON	Maestro	PD-6WCL
LEGRAND	Radiant	RHCL453PTC

* Always consult dimmer manufacturer for proper use, installation and compatibility (some dimmers may require a neutral in the wall box).