

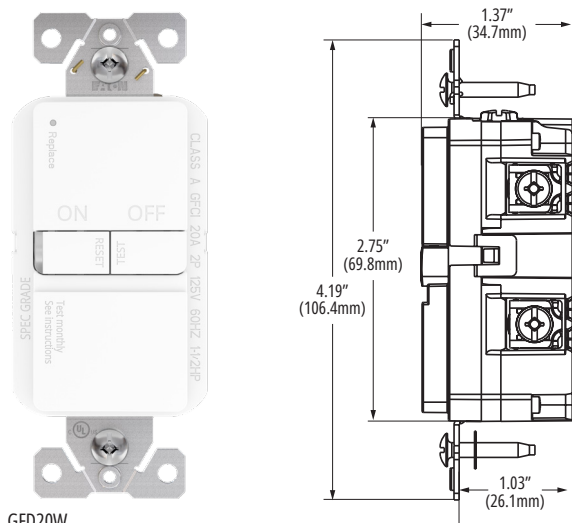
# Technical Data

## Standard Blankface GFCI

Arrow Hart

July 2024

Project Name:	Prepared By:
Project Number:	Date:
Catalog Number:	Type:



GFD20W

### AVAILABLE IN THESE COLORS

\*For ordering devices, include Cat. no. followed by the color suffix, for example: TRUSBACT5\_W

<b>B</b>	<b>BK</b>	<b>LA</b>	<b>V</b>	<b>W</b>
Brown	Black	Light Almond	Ivory	White

### MATERIALS

<b>Housing</b>	Top: Thermoplastic, polycarbonate Bottom: Thermoplastic, PVC
<b>Strap</b>	0.042" thick steel, zinc-plated
<b>Line contacts</b>	0.030" thick brass
<b>Terminal</b>	Brass/nickel-plated steel

### SPECIFICATIONS

<b>Electrical</b>	<b>Dielectric voltage:</b> Withstands 2000V per UL 498 <b>Current interrupting:</b> Yes, at full-rated current <b>Temperature rise:</b> Max. 30°C (86°F) after 100 cycles of overload @ 150% of rated current (DC) <b>Rated for motor loads per UL508:</b> 1.5 HP @ 125V/AC, maximum 20A full load <b>Trip time:</b> 0.025 seconds (Class A) <b>Frequency:</b> 60 Hz; Voltage: 125V; <b>Amperage:</b> 20A, 20A feed-through <b>Short circuit testing:</b> Meets and exceeds 10 kA <b>Maximum interrupting capacity:</b> 20 Amps
<b>Testing &amp; code compliance</b>	cULus Listed to UL 498 and UL 943, file no. E60120 Meets all UL 943 (GFCI), UL 498 (receptacles), UL508 (motor control) and applicable CSA requirements; NOM certified
<b>Environmental</b>	<b>Flammability:</b> Meets UL 94 requirements; V2 rated <b>Temperature rating:</b> -35°C to 66°C (-31°F to 150.8°F)

### TRIP INDICATORS

EOL Indicator Light	RESET Button Light	Diagnosis
OFF	OFF	Device is functioning properly, OR branch circuit may not have power
OFF	ON	Device is in tripped state
Blinking or ON	ON	Device is in "end of life" state and must be replaced



Arrow Hart Website  
Buyer's Guide Product page

### DESCRIPTION

2-pole, 3-wire grounding  
20A, 125V/AC



### STANDARD SLIM GFCI BLANK FACE, BACK & SIDE WIRE

Rating	A	V/AC	Description	Catalog no.	Color
20	125		Slim GFCI Blank Face	<input type="checkbox"/> GFD20	B, BK, LA, V, W

Wallplate not included unless specifically stated.

### APPLICATIONS

- Arrow Hart GFCI receptacles are UL Listed and fully compliant with all of the latest UL943 Class A GFCI and UL498 requirements
- GFCI protection is required wherever receptacles are near wet or damp locations, such as public bathrooms, garages, and food service areas, and all other areas mandated by the NEC

### DESIGN FEATURES

- Slimmer design for easy installation, leaving more room for wires in the box
- Automatically self-tests periodically to ensure GFCI protection
- Wider button wells for easy TEST and RESET
- Trip indicator makes it easy to diagnose ground faults
- Line-load miswiring protection: GFCI Receptacle will not provide power downstream when wired incorrectly
- Clean, modern industrial design with reduced top housing markings and neutral text direction on buttons
- Meets and exceeds 10 kA short circuit testing and Underwriters Laboratories (UL) UL943 safety standards
- Automatic grounding system eliminates need for bonding jumper in grounded metal enclosure, provides redundant measure of ground continuity where jumper is used
- External backwire clamps provide visual confirmation of secure termination

### COMPLEMENTARY PRODUCTS

<b>Wallplates</b>	PJS26, PJS262
-------------------	---------------

### ADDITIONAL RESOURCES



Scan QR code for additional marketing collateral



**Eaton**  
1000 Eaton Boulevard  
Cleveland, OH 44122  
United States  
Eaton.com

Electrical Sector  
1123 Hwy 74 S  
Peachtree City, GA 30269  
United States  
Eaton.com  
Eaton.com/SlimGFCI

© 2024 Eaton  
All Rights Reserved  
Printed in USA  
Publication No. TD610161EN  
July 2024

Eaton is a registered trademark.  
All other trademarks are property of their respective owners.