



TEL 905.695.2055 toll free 1.800.660.5391
 FAX 905.695.2056 toll free 1.800.660.5390

33 West Beaver Creek Road Richmond Hill, Ontario Canada L4B 1L8

ARTEMIS 5 ROUND FLUSH MOUNT



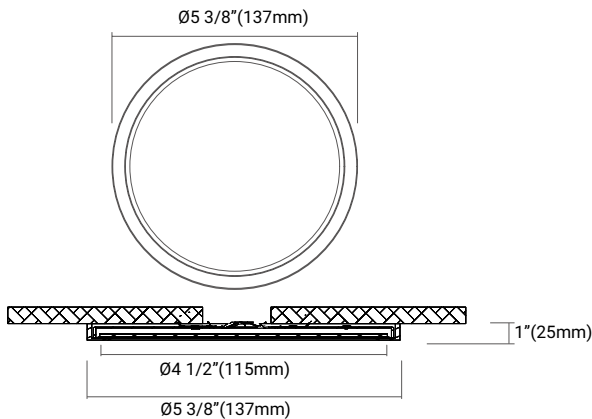
OPTIONS AVAILABLE

ITEM NO.

47516-014
 47516-021
 47516-038

FINISH

- White
- Black
- Brush Nickel



PRODUCT DETAILS

No.	47516-XXX
Material	Polycarbonate Plastic
Product Color	White, Black, Brush Nickel
Diffuser	Opal Acrylic
Size (LxWxH)	Ø5 3/8" x 1"

LIGHT SOURCE DETAILS

Light Source Type	Integrated LED
Input Voltage	120V
Wattage	10W
Delivered Lumens	Up to 580 LM
Kelvin	5CCT Color Selectable (27K, 30K, 35K, 40K, 50K)
CRI	90+
Beam Angle	110°
Rated Life	50,000 Hours
Efficiency	Up to 60 Lm/W
Dimming	Triac/ ELV

TECHNICAL DETAILS

Mounting	Over Existing Octagon Box
Application	Ceiling or Wall Mount
Location Listing	Wet Listed
IP Rating	IP 54
Operating Temperature	-20° C (-4°F) to 40° C (104°F)
Approval	COMPLIANT
Warranty	

PROJECT INFORMATION

Job Name: Date: Type:

Comments: