

# LED CEILING LIGHT

## Model No. EIN-CL58WH-1000e

Euri LED Ceiling fixtures provide exceptional performance in general lighting applications for hotels, motels, residential and commercial properties. Built with a switch on the unit which allows for adjustment of color temperatures between 2700K/3000K/3500K/4000K/5000K. This fixture produces a high quality of light with superior longevity and energy savings. Features include: dimming option, 5CCT selectable, wet rated, JA8, Title24 and UL.



White Aluminum Housing & Frosted Plastic Lens



12 Watts



5CCT Selectable



Dimmable (Using Triac)



Energy Efficient



Wet Rated



Integrated LED Fixture

### Electrical Specifications

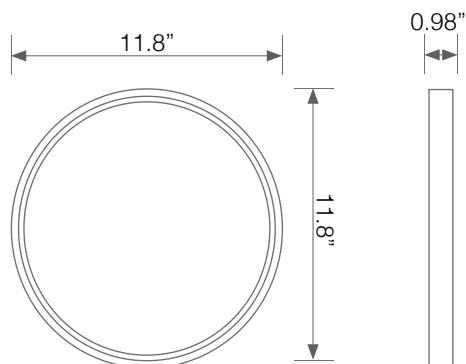
Model No.	Input Power	Input Voltage	Lumen Output	Beam Angle	Center Beam	CCT
EIN-CL59WH-1000e	12 W	120V/60Hz	1200 lm	110°	N/A	2700/3000/3500 4000/5000K

CRI	Luminous Efficacy	Power Factor	Input Current	Base	Lamp Lifespan	Estimated Yearly Cost
90	100 lm/W	0.9	0.18 A	N/A	30,000 Hrs.	\$ 1.44

### Mechanical Specifications

Rating	Operational Temperature	Inner Box QTY.	Master Box QTY.	Dimensions(in.)	UPC Code
Wet Rated	-4°F - 104°F	1 pc	12 pcs	11.8"(Ø) x 0.98"(H)	811174037262

### Product Dimensions



### Product Photometric Data

