



Project	
Notes	
Type	Date
Cat. No.	

RVL™ Series

LED Ringed Vanity Light



DESCRIPTION

The RVL Series tiered contemporary framed wall mounted vanity fixture and is available in two finish options, satin nickel or oil rubbed bronze. Updated with the latest in LED technology. The long LED life coupled with exceptional color rendering make this fixture attractive for new or retrofit projects. The RVL is an elegant lighting solution that can be used in various applications including corridors and restrooms. Fixture mounts to standard junction box (not included).

RVL Series

- 24" Length**
18W, 2000 Lumens
- 36" Length**
27W, 2600 Lumens
- 48" Length**
36W, 3400 Lumens

Specification Features



Construction

Twin steel rings surround a milk white acrylic diffused lens and provides widespread and even illumination. Lens design and materials provide a uniform appearance without pixelation.

Electrical

Equipped standard with 120-277V fixed output driver operating at 60 Hz.

Rated Life 50,000 hours
Limited Warranty 3 years
Efficacy up to 118 LPW

Qualifications

All luminaires are built to UL 1598 and 2108 standards, and bear appropriate ETL labels. Damp location labeling is standard. Emergency equipped fixtures labeled UL924. Adheres to LM70, LM80, and TM21 industry standards. ENERGY STAR® certified product (for 3000K and 4000K only) and Title 24 qualified. Dedicated 120V Models are FCC Title 47 CFR, Part 15, Class B for residential and commercial applications. California Title 24 Compliant, JA8 compliant, CEC Listed.

Installation

Designed for wall mounting on 4" electrical J-Box.

Quick Ship

- RVL-24-18-120-930-BN
- RVL-24-26-120-830-BN
- RVL-36-27-120-930-BN
- RVL-36-36-120-830-BN

Warranty

3-year limited warranty. See complete warranty for terms and exclusions. (Labor not included).

Ordering Information

Example: RVL-24-18-120-930-NS

RVL	24	18	120	CRI	30	NS
Series	Form Factor	Rated Wattage	Driver Type	CRI	Color Temp	Finish
RVL LED Ringed Light Vanity	24- 24" Length ² 36- 36" Length ² 48- 48" Length ²	24" Housing 18- 18W, 2000 Lumens ¹ 36" Housing 26- 26W 27- 27W, 2600 Lumens ³ 48" Housing 36- 36W 36- 36W, 3400 Lumens ³	120- 120V ¹ MV- 120-277V	8 80+CRI 9 90+CRI	30 3000K ³ 40 4000K ³	ORB- Oil Rubbed Bronze BN- Brushed Nickel

Specifications and Dimensions subject to change without notice

Performance Summary

Input Voltage	120-277V
Input Frequency	50/60 Hz
Rated Wattage	See Performance Table
Delivered Lumens	See Performance Table
Efficac	117.6 LPW
CRI	90+ R9 > 0, 80+ R8 > 0
Available CCT ¹	3000K, 4000K
Color Consistency ²	5-step MacAdam Ellipse
Rated Life	50,000
L70 ³	> 72,000 hours or > 45,000 >
Power Factor	0.9
THD	< 20%
Dimming	120V
Operating Temp.	-18°C to 40°C

Performance Data

Lens Type	Form Factor	Catalog No.	Rated Wattage (W)	Delivered Lumens	Efficacy (lm/W)
Frosted Acrylic	24	RVL-24-18-120-930-BN	18W	2,000	117.6
		RVL-24-26-120-830-BN	26W		
	36	RVL-36-27-120-930-BN	27W	2,600	100
		RVL-36-36-120-830-BN	36W		
	48	RVL-48-36-120-930-BN	36W	3,400	100

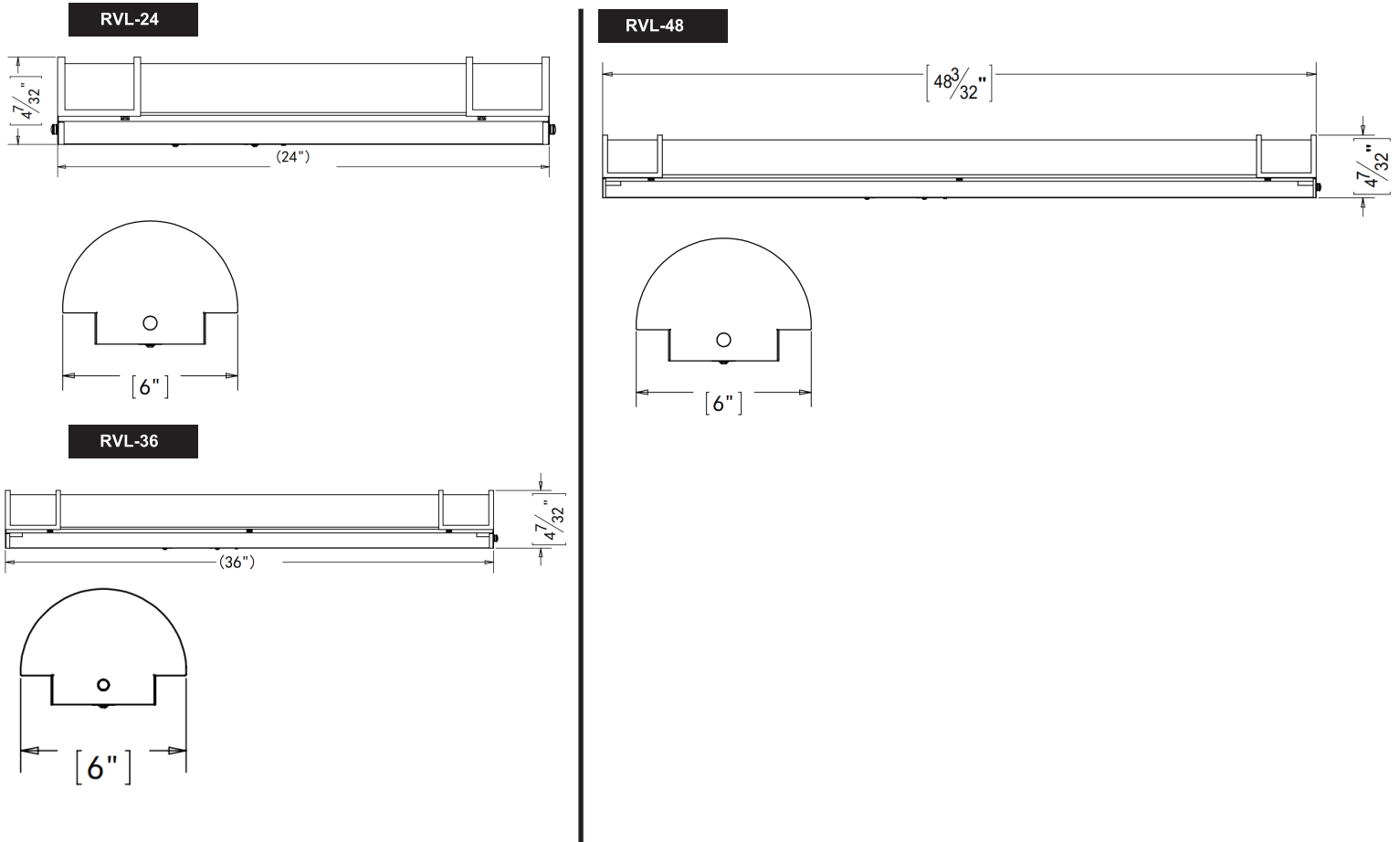
NOTES:

- ¹ Made to order items. Minimum 90 day lead time. Minimum 500 order quantity.
- ² Energy star listed
- ³ Quick ship: 3000K. Other CCTs may require a lead time or be special order
- ⁴ Typical color consistency. May vary or be changed.
- ⁵ L70 hours calculated based on LED package manufacturer LM80 report and ISTMT report of LED in luminaire. Stated values are for select catalog numbers. Contact manufacturer for detailed information



Specifications and Dimensions subject to change without notice

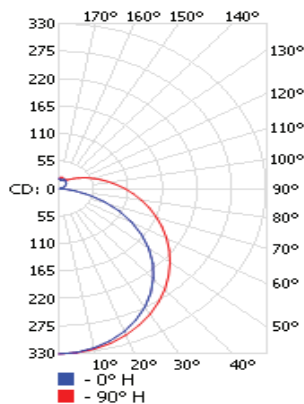
Product Dimensions



Photometric Data

RVL-24-18-120-930-NS Tested in accordance to IESNA LM-79

Polar Candela Curve



Zonal Lumen Summary

Zone	Lumens	% Lamp	% Luminaire
0-30	256	19.80%	19.80%
0-40	421.4	32.60%	32.60%
0-60	765.2	59.20%	59.20%
60-90	338.1	26.10%	26.20%
0-90	1,103.30	85.30%	85.40%

Coefficients of Utilization

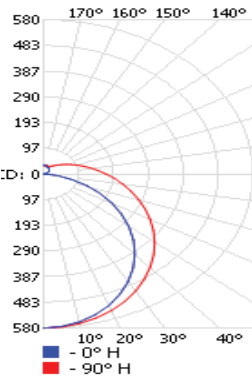
RCC %:	80				70				50			
	70	50	30	0	70	50	30	0	50	30	20	
RCR: 0	1.15	1.15	1.15	1.15	1.11	1.11	1.11	0.85	1.03	1.03	1.03	
1	1.03	0.97	0.92	0.88	0.99	0.94	0.89	0.67	0.87	0.83	0.79	
2	0.93	0.84	0.76	0.7	0.89	0.81	0.74	0.55	0.75	0.69	0.64	
3	0.84	0.73	0.64	0.57	0.8	0.7	0.62	0.46	0.65	0.58	0.53	
4	0.77	0.64	0.55	0.48	0.73	0.62	0.53	0.39	0.57	0.5	0.45	
5	0.7	0.57	0.48	0.41	0.67	0.55	0.46	0.34	0.51	0.44	0.38	
6	0.65	0.51	0.42	0.35	0.62	0.49	0.41	0.3	0.46	0.39	0.33	
7	0.6	0.46	0.37	0.31	0.57	0.45	0.36	0.26	0.42	0.35	0.29	
8	0.56	0.42	0.33	0.28	0.53	0.41	0.33	0.23	0.38	0.31	0.26	
9	0.52	0.39	0.3	0.25	0.5	0.37	0.3	0.21	0.35	0.28	0.23	
10	0.49	0.35	0.28	0.22	0.47	0.34	0.27	0.19	0.32	0.26	0.21	

Effective Floor Cavity Reflectance: 20%

Photometric Data

RVL-36-27-120-930-NS Tested in accordance to IESNA LM-79

Polar Candela Curve



Zonal Lumen Summary

Zone	Lumens	% Lamp	% Luminaire
0-30	446.4	20.40%	20.40%
0-40	731.6	33.40%	33.40%
0-60	1,315.90	60.10%	60.10%
60-90	564.1	25.80%	25.80%
0-90	1,880.00	85.90%	85.90%

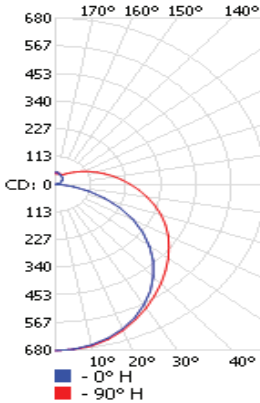
Coefficients of Utilization

RCC %:	80				70				50			
	70	50	30	0	70	50	30	0	50	30	20	
RW %:	1.16	1.16	1.16	1.16	1.11	1.11	1.11	0.86	1.03	1.03	1.03	
RCR: 0	1.03	0.98	0.93	0.88	0.99	0.94	0.89	0.68	0.87	0.83	0.8	
1	0.93	0.84	0.77	0.7	0.89	0.81	0.74	0.56	0.75	0.69	0.65	
2	0.85	0.73	0.65	0.58	0.81	0.71	0.63	0.47	0.66	0.59	0.53	
3	0.77	0.65	0.55	0.48	0.74	0.62	0.54	0.4	0.58	0.51	0.45	
4	0.71	0.57	0.48	0.41	0.68	0.56	0.47	0.35	0.52	0.44	0.39	
5	0.65	0.52	0.42	0.36	0.62	0.5	0.41	0.3	0.47	0.39	0.34	
6	0.6	0.47	0.38	0.31	0.58	0.45	0.37	0.27	0.42	0.35	0.3	
7	0.56	0.42	0.34	0.28	0.54	0.41	0.33	0.24	0.39	0.32	0.26	
8	0.52	0.39	0.31	0.25	0.5	0.38	0.3	0.22	0.36	0.29	0.24	
9	0.49	0.36	0.28	0.23	0.47	0.35	0.27	0.2	0.33	0.26	0.21	
10												

Effective Floor Cavity Reflectance: 20%

RVL-48-36-120-930-NS Tested in accordance to IESNA LM-79

Polar Candela Curve



Zonal Lumen Summary

Zone	Lumens	% Lamp	% Luminaire
0-30	532.3	18.80%	18.80%
0-40	879.7	31.10%	31.10%
0-60	1,614.60	57.10%	57.10%
60-90	761.5	26.90%	26.90%
0-90	2,376.10	84%	84.10%

Coefficients of Utilization

RCC %:	80				70				50	
	70	50	30	0	70	50	30	0	50	30
RW %:	1.15	1.15	1.15	1.15	1.11	1.11	1.11	0.84	1.02	1.02
RCR: 0	1.02	0.97	0.92	0.87	0.98	0.93	0.88	0.66	0.86	0.82
1	0.92	0.83	0.75	0.69	0.88	0.8	0.73	0.54	0.73	0.68
2	0.84	0.72	0.63	0.56	0.8	0.69	0.61	0.45	0.64	0.57
3	0.76	0.63	0.54	0.47	0.73	0.61	0.52	0.38	0.56	0.49
4	0.7	0.56	0.47	0.4	0.67	0.54	0.46	0.33	0.5	0.43
5	0.64	0.51	0.41	0.35	0.61	0.49	0.4	0.29	0.45	0.38
6	0.6	0.46	0.37	0.3	0.57	0.44	0.36	0.25	0.41	0.34
7	0.55	0.42	0.33	0.27	0.53	0.4	0.32	0.22	0.37	0.3
8	0.52	0.38	0.3	0.24	0.49	0.37	0.29	0.2	0.34	0.27
9	0.48	0.35	0.27	0.22	0.46	0.34	0.26	0.18	0.32	0.25
10										

Effective Floor Cavity Reflectance: 20%



© 2019 GlobaLux Lighting, LLC. All rights reserved. For informational purposes only. Reproduction in whole or part is prohibited without prior written consent of the copyright owner. The information presented in this document does not form part of any quotation or contract, is believed to be accurate and reliable and may be changed without notice. No liability will be accepted by the publisher for any consequences of its use. GlobaLux Lighting reserves the rights make changes in specification at any time without notice.

GlobaLux Lighting LLC
 www.globaluxlighting.com
 2037 S. Vineyard Ave
 Ontario, CA 91761
 Ph: 909-591-7506