

| | |
|---------------|-------|
| Project Name: | Type: |
| Part Number: | Date: |

DOUBLE ENDED BYPASS T8 8FT

FEATURES

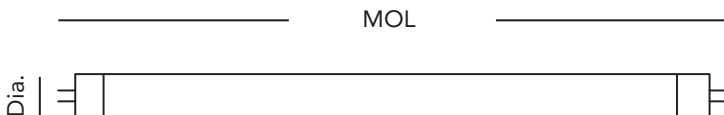
- Integral driver suitable for 120-277V
- Replaces 8ft F96T8 / F96T12 Fluorescent lamps
- Available in Single pin (Fa8) & Recessed Double Contact pin (R17d)
- Double ended installation, no need to change existing sockets
- Opaque glass design eliminates pixilation and reduces glare
- High performance, lumen output up to 5,500lm, 128LPW
- 310° wide light emitting area
- Suitable for use in enclosed fixture
- UL 1598C classified
- Temperature rating: -4°F/20°C – 113°F/45°C
- Rated lifetime (L70): 50,000hrs
- 5 years limited warranty
- Suitable for all indoor general lighting application and damp location



SPECIFICATIONS

| Product | Model | Equiv. | Input Voltage | Wattage | Lumens | CCT | CRI | Efficacy (LPW) | Power Factor | THD | Beam Angle | Dim. | Fixture Rating | Cert. |
|---------|----------------------|--------------|---------------|---------|--------|-------|-----|----------------|--------------|------|------------|------|----------------|-------|
| 34869 | 43T8/8F/840/DEB/Fa8 | F96T8 F96T12 | 120-277V | 43 | 5,500 | 4000K | 82 | 128 | 0.9 | <20% | 160° | No | Enclosed | DLC |
| 34870 | 43T8/8F/850/DEB/Fa8 | F96T8 F96T12 | 120-277V | 43 | 5,500 | 5000K | 82 | 128 | 0.9 | <20% | 160° | No | Enclosed | DLC |
| 34871 | 43T8/8F/840/DEB/R17d | F96T8 F96T12 | 120-277V | 43 | 5,500 | 4000K | 82 | 128 | 0.9 | <20% | 160° | No | Enclosed | - |
| 34872 | 43T8/8F/850/DEB/R17d | F96T8 F96T12 | 120-277V | 43 | 5,500 | 5000K | 82 | 128 | 0.9 | <20% | 160° | No | Enclosed | - |

DIMENSION & WEIGHT



| Model | 43T8/8F/xxx/DEB/Fa8 | 43T8/8F/xxx/DEB/R17d |
|--------|---------------------|--------------------------------|
| Base | Fa8 (Single Pin) | R17d (Recessed Double Contact) |
| MOL | 93.9" (2,385mm) | 93.9" (2,385mm) |
| Dia. | 1.09" (27.8mm) | 1.09" (27.8mm) |
| Weight | 0.92lb / 417g | 0.92lb / 417g |

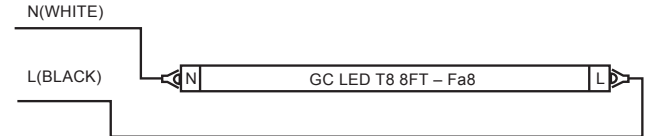
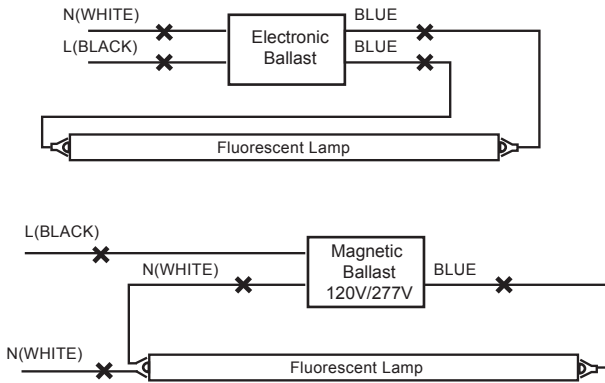
Where xxx means 824-965 which indicates CRI and color temperature



DOUBLE ENDED BYPASS T8 8FT

INSTALLTION

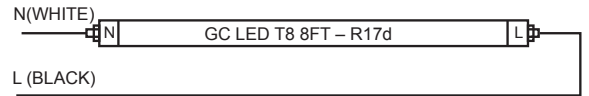
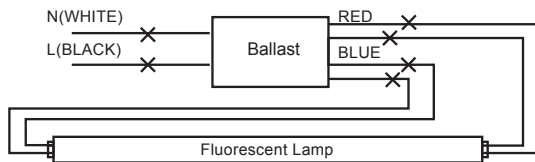
Fa8 - SINGLE PIN 1 LAMP



Step 1. Cut all wires connected to the existing ballast, remove the ballast

Step 2. Wire the holders and lamps according to the above diagram

PIN R17d – Recessed Double Contact 1 LAMP



Step 1. Cut all wires connected to the existing ballast, remove the ballast

Step 2. Wire the holders and lamps according to the above diagram