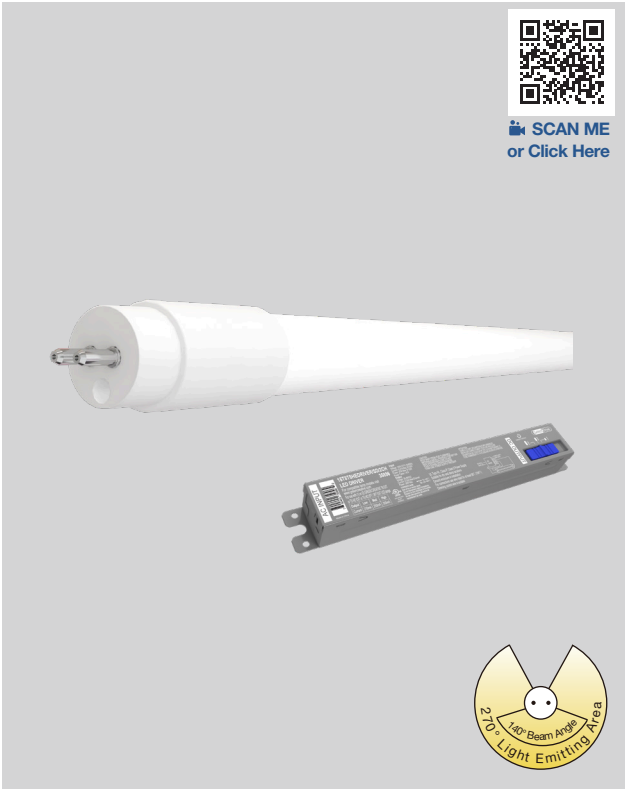


Project Name:	Type:
Part Number:	Date:

SelectDrive External Driver T5

FEATURES

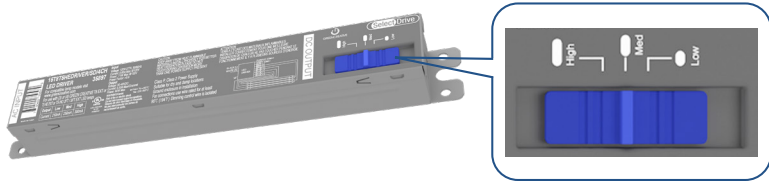
- Replacement for 2' / 3' / 4' / T5 fluorescent lamp
- Ultra-high efficacy up to 158 LPW
- Flicker Free (percent flicker and flicker index are less than three percent)
- Utilizes existing lamp holders – shunted or non-shunted
- Plastic and aluminum design meets NSF requirements and eliminates breakage
- 270° wide light emitting area
- Suitable for use with select GREEN CREATIVE lamps. See complete list in below "COMPATIBLE LAMP" table
- Field select from three lumen outputs using SelectDrive technology
- 0-10V dimming (dims to OFF)*
- Meets NSF Requirements
- Parallel output driver requires no minimum lamp load to operate properly
- Suitable for use in enclosed fixture and damp location
- Fixture operating temperature: -4°F to 113°F (-20°C to 45°C)
- Lamp ambient temperature: -4°F to 131°F (-20°C to 55°C)
- Rated lifetime (L70): 60,000hrs
- 5 year limited warranty** / 10 year available (see EXTENDED WARRANTIES table for information)
- Suitable for all indoor general lighting applications
- Lamp and driver DLC listed as a system (4' T5 lamp based systems only; DLC does not qualify 2' or 3' T5 lamps at this time)



060523



FOCUS FEATURE



Selectable output			
Output	Low	Med	High
Current	210mA	250mA	300mA

SPECIFICATIONS

Product	Model	Max. Lamp Quantity	Input Voltage	Input Freq. (Hz)	Max. Input Current (A)	Output Voltage(V)	Output Current (mA)	Dim	Max Case Temperature (°C/°F)	Power Factor	THD
35896	15T8T5HEDRIVER/SD/2CH	2	120-277V	50/60	0.31	30-48VDC	300mA/250mA/210mA (+/-5%) *2	0-10V	90/194	0.9	<20%
35897	15T8T5HEDRIVER/SD/4CH	4	120-277V	50/60	0.60	30-48VDC	300mA/250mA/210mA (+/-5%) *4	0-10V	90/194	0.9	<20%

** Please visit www.greencreative.com for Limited Warranty terms



SelectDrive External Driver T5

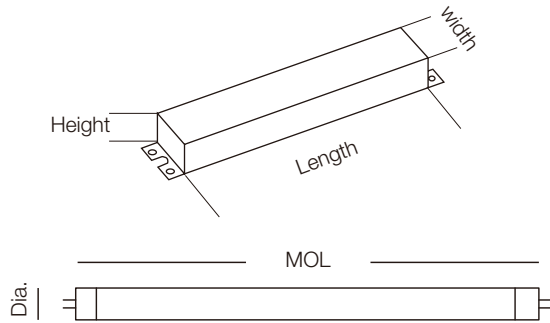
SPECIFICATIONS - LAMP

Product	Model	Nominal Length	Equiv.	Life (hrs)	Wattage	Lumens	CCT	CRI	Efficacy (LPW)	Beam Angle
98312	13.5T5HE/4F/830/EXT	4'	28W	60,000	13.5	1,800	3000K	82	133	140°
98313	13.5T5HE/4F/835/EXT	4'	28W	60,000	13.5	1,850	3500K	82	137	140°
98314	13.5T5HE/4F/840/EXT	4'	28W	60,000	13.5	2,000	4000K	82	148	140°
98309	11T5HE/3F/830/EXT	3'	21W	60,000	11	1,500	3000K	82	136	140°
98310	11T5HE/3F/835/EXT	3'	21W	60,000	11	1,550	3500K	82	141	140°
98311	11T5HE/3F/840/EXT	3'	21W	60,000	11	1,650	4000K	82	150	140°
98306	9.5T5HE/2F/830/EXT	2'	14W	60,000	9.5	1,350	3000K	82	142	140°
98307	9.5T5HE/2F/835/EXT	2'	14W	60,000	9.5	1,400	3500K	82	147	140°
98308	9.5T5HE/2F/840/EXT	2'	14W	60,000	9.5	1,500	4000K	82	158	140°

* This lamp might not be compatible with all dimmers. Please visit www.greencreative.com for compatibility information.

** Please visit www.greencreative.com for Limited Warranty terms.

DIMENSION & WEIGHT



Product	Model	Length	Width	Height
35896	15T8T5HEDRIVER/SD/2CH	9-1/2"	1-5/16"	1-3/16"
35897	15T8T5HEDRIVER/SD/4CH	9-1/2"	1-5/16"	1-3/16"

Model	9.5T5HE/2F/xxx/EXT	11T5HE/3F/xxx/EXT	13.5T5HE/4F/xxx/EXT
Base	G5	G5	G5
MOL	22"	34"	45-3/4"
Dia.	11/16"	11/16"	11/16"
Weight	0.17lb	0.26lb	0.33lb

Where xxx means 824-965 which indicates CRI and color temperature

LAMP & SelectDrive EXTERNAL DRIVER LUMEN OUTPUT GUIDE

LED Lamp model	Lamp & Driver system lumen output (based on 4000K)					
	15T8T5HEDRIVER/SD/2CH 15T8T5HEDRIVER/SD/4CH					
	Low(Power)	Low(Lumens)	Med(Power)	Med(Lumens)	High(Power)	High(Lumens)
13.5T5HE/4F/8XX/EXT	9.5	1,400 lm	11.3	1,650 lm	13.5	2,000 lm
11T5HE/3F/8XX/EXT	7.7	1,100 lm	9.2	1,300 lm	11.0	1,650 lm
9.5T5HE/2F/8XX/EXT	6.7	1,000 lm	7.9	1,200 lm	9.5	1,500 lm



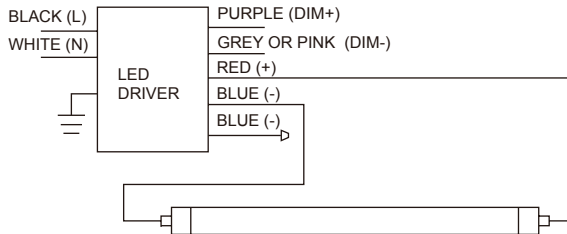
SelectDrive External Driver T5

INSTALLATION

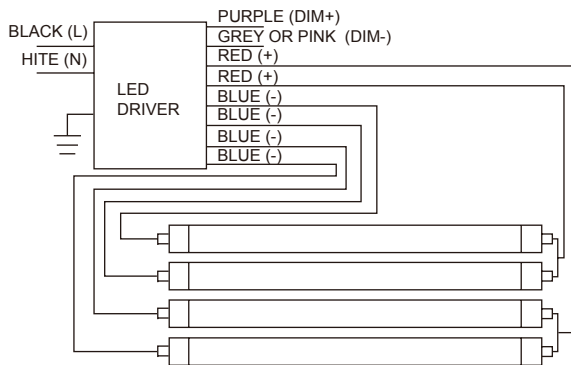
Double-ended Installation

- For shunted & non-shunted lamp holders
- Not polarity sensitive, lamps can be wired at either end

1 LAMP



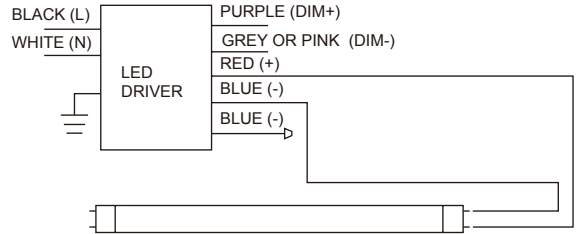
4 LAMPS



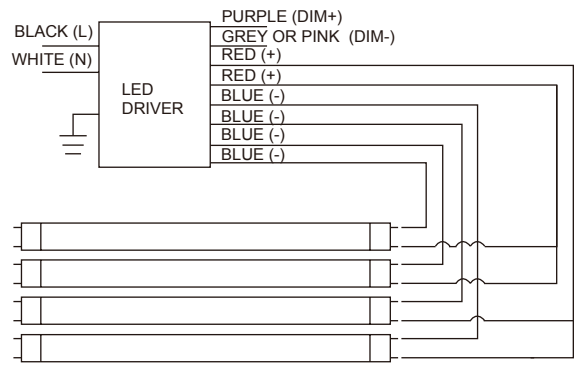
Single-ended Installation

- For non-shunted lamp holders only
- Not polarity sensitive, pins can accept '+' or '-'

1 LAMP



4 LAMPS



ACCESSORY ORDERING INFORMATION

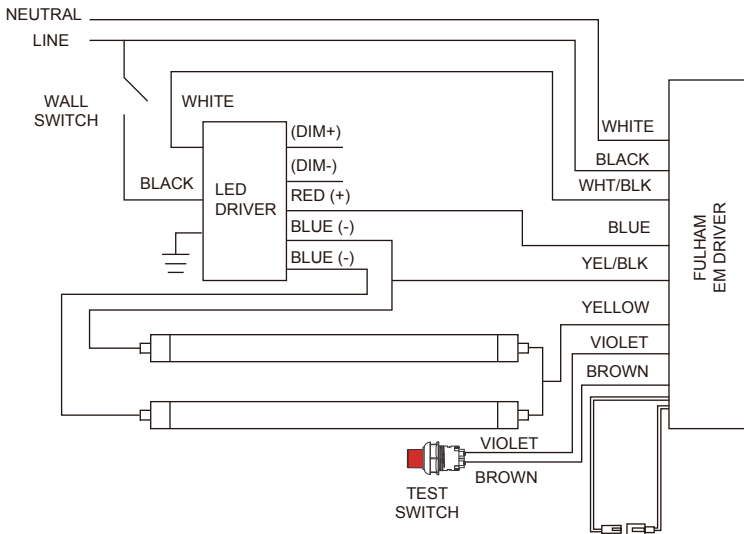
Product	Model	Description	Picture	Dimension
35797	FU10W/T5T8/EXT/EMDRIVER	FHSCP-UNV-10.7WL		
35798	FU13W/T5T8/EXT/EMDRIVER	FHSCP-UNV-13.7WL		
35799	FU17W/T5T8/EXT/EMDRIVER	FHSCP-UNV-17WL		



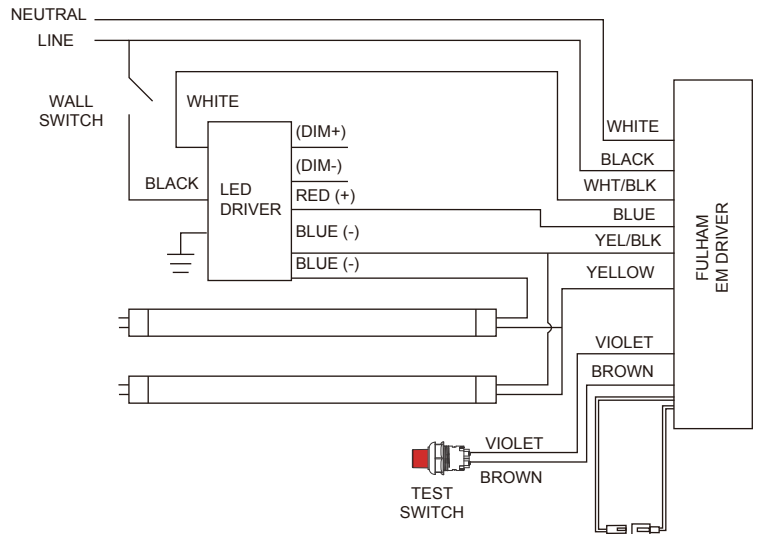
SelectDrive External Driver T5

FULHAM EMERGENCY DRIVER INSTALLATION

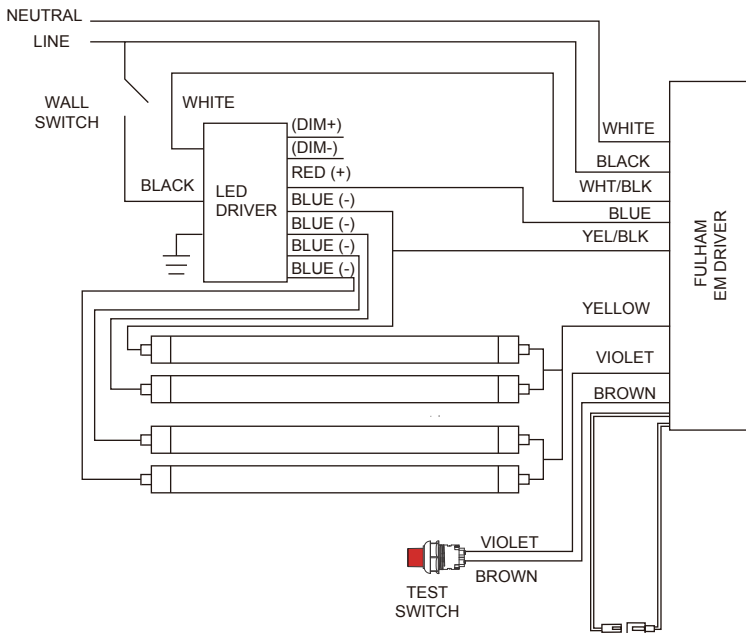
1 LAMP



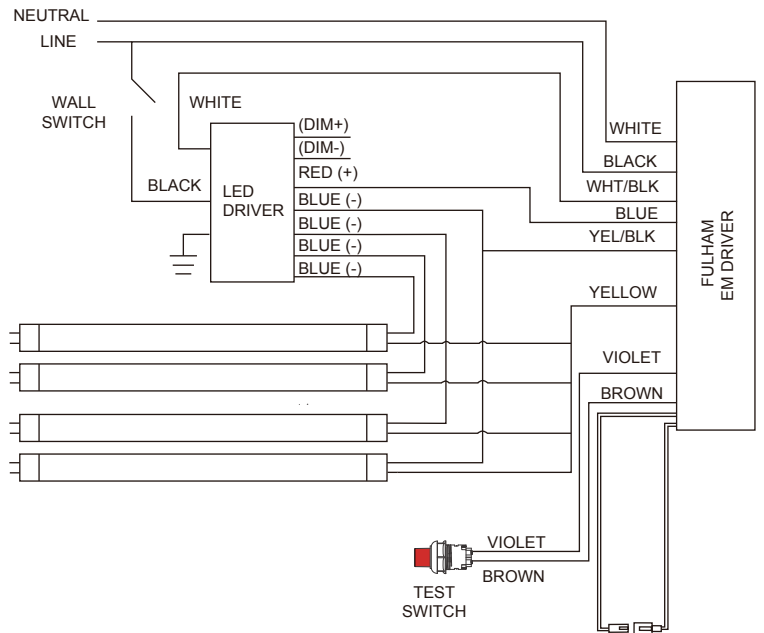
1 LAMP



4 LAMPS



4 LAMPS





SelectDrive External Driver T5

COMPATIBILITY WITH FULHAM EM DRIVER

Type	Model No	Lumen output level at EM mode		
		FHSCP-UNV-10.7WL	FHSCP-UNV-13.7WL	FHSCP-UNV-17WL
T5	9.5T5HE/2F/8XX/EXT	113%	-	-
	11T5HE/3F/8XX/EXT	97%	-	-
	13.5T5HE/4F/8XX/EXT	79%	101%	-
	10.5T5HO/2F/8XX/EXT	102%	-	-
	13T5HO/3F/8XX/EXT	82%	105%	-
	22T5HO/4F/8XX/EXT	49%	62%	77%

EXTENDED WARRANTIES**

Model	Description***
9.5T5/2F/EXT/10YEARWARRANTY	10 Year warranty for 9.5T5HE/2F/8xx/EXT/yy
11T5/3F/EXT/10YEARWARRANTY	10 Year warranty for 11T5HE/3F/8xx/EXT/yy
13.5T5/4F/EXT/10YEARWARRANTY	10 Year warranty for 13.5T5HE/4F/8xx/EXT/yy
15T8T5HEDRIVER/10YEARWARRANTY/2CH	10 Year warranty for 15T8T5HEDRIVER/2CH/yy
15T8T5HEDRIVER/10YEARWARRANTY/4CH	10 Year warranty for 15T8T5HEDRIVER/4CH/yy

** Warranty based on a maximum of 4,368 annual operating hours (per year for ten years) and exposure to a maximum fixture operating temperature of 80°F / 27°C.

*** xx - Refers to the CCT yy - Refers to model generations within the same nominal performance. Typically blank, 'R', or 'RC'

DLC KITS REFERENCES

T5HE 4'				
Model No. (DLC)	Lamp Model	Lamp Qty	External Driver Model	DLC Product ID
13.5T5HE/4F/830/EXT/SD/A2	98312 13.5T5HE/4F/830/EXT	2	35896 15T8T5HEDRIVER/SD/2CH	PYNWAT0U
13.5T5HE/4F/835/EXT/SD/A2	98313 13.5T5HE/4F/835/EXT			PIQEFADZ
13.5T5HE/4F/840/EXT/SD/A2	98314 13.5T5HE/4F/840/EXT			PLE7OV30
13.5T5HE/4F/830/EXT/SD/A3	98312 13.5T5HE/4F/830/EXT	3	35897 15T8T5HEDRIVER/SD/4CH	P8J77KKV
13.5T5HE/4F/830/EXT/SD/A4		4		P2TOBKJB
13.5T5HE/4F/835/EXT/SD/A3	98313 13.5T5HE/4F/835/EXT	3		PFKUC EE2
13.5T5HE/4F/835/EXT/SD/A4		4		PB4ZDTLJ
13.5T5HE/4F/840/EXT/SD/A3	98314 13.5T5HE/4F/840/EXT	3		P85IRU14
13.5T5HE/4F/840/EXT/SD/A4		4		PKOG2NG0

ORDERING INFORMATION

Product Series	Master Carton			Shipping Carton		
	Case QTY	Case Dimensions (LxWxH)	Case Weight	Case QTY	Case Dimensions (LxWxH)	Case Weight
15T8T5HEDRIVER/SD/2CH	6	9-7/8" x 5-5/8" x 2-3/4"	5.69 lb	24	11-7/8" x 10-5/6" x 6-11/16"	22.82 lb
15T8T5HEDRIVER/SD/4CH	6	9-7/8" x 5-5/8" x 2-3/4"	6.22 lb	24	11-7/8" x 10-5/6" x 6-11/16"	24.69 lb
9.5T5HE/2F/xxx/EXT	6	23" x 2-1/2" x 1-3/4"	1.4lb	24	25-3/16" x 5-13/16" x 4-13/16"	6.2lb
11T5HE/3F/xxx/EXT	6	34-13/16" x 2-1/2" x 1-3/4"	2.1lb	24	37" x 5-13/16" x 4-13/16"	9.3lb
13.5T5HE/4F/xxx/EXT	6	46-5/8" x 2-1/2" x 1-3/4"	2.7lb	24	48-13/16" x 5-13/16" x 4-13/16"	12.3lb
22T5HO/4F/xxx/EXT	6	46-5/8" x 2-1/2" x 1-3/4"	2.7lb	24	48-13/16" x 5-13/16" x 4-13/16"	12.3lb

Where xxx means 824-965 which indicates CRI and color temperature

Note: All rights reserved. All sizes and specifications are subject to change at any time without notice.

www.greencreative.com - info@greencreative.com - Tel / Fax: (866) 774-5433 - / GREENCREATIVELED / GClightingLED / GREEN-CREATIVE

An ILLUMUS Brand