

# GP50S08AYV

## GE RealMAX® Choice 50-Gallon Short Power Vent Liquid Propane Water Heater

### DIMENSIONS AND INSTALLATION INFORMATION (IN INCHES)

#### LOCAL INSTALLATION REGULATIONS:

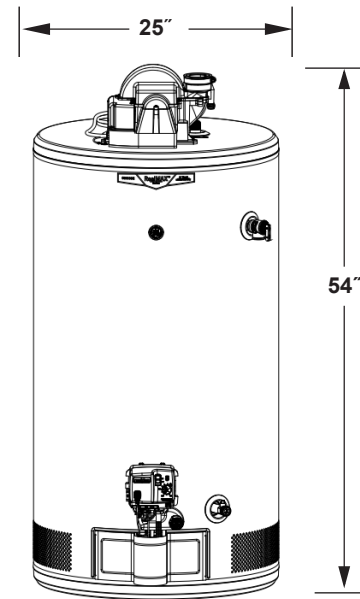
This water heater must be installed in accordance with these instructions, local codes, utility codes, utility company requirements and/or, in the absence of local codes, the latest edition of the American National Standard/National Fuel Gas Code. A copy can be purchased from either the American Gas Association, 400 N. Capitol Street NW, Washington, DC 20001 as ANSI standard Z223.1 or National Fire Prevention Association, 1 Batterymarch Park, Quincy, MA 02169 as booklet NFPA 54.

**INSTALLATION INFORMATION:** For complete information, see installation instruction packed with your water heater.

**POWER REQUIREMENTS:** Check the markings on the rating plate of the water heater to be certain the power supply corresponds to the water heater requirements.

**LOCATION:** Locate the water heater in a clean dry area as near as practical to the area of the greatest heated water demand. Long uninsulated hot water lines can waste energy and water.

**REQUIRED CLEARANCES:** There must be sufficient clearance between any object and the top, rear and sides of the water heater in the event service is needed. The controls and drain at front of unit must have clear access for operation and service. Installations that require minimal clearance on the sides or rear of the water heater for earthquake straps are also acceptable. In these cases, additional clearance should be provided on the opposite side of the unit to allow for service access.



Above illustration intended for dimensional reference only. Refer to photograph for actual product appearance.



For answers to your GE Profile™ or GE Appliances product questions, visit our website at [geappliances.com](http://geappliances.com) or call GE Answer Center® Service, 800.626.2000.



Certified to  
NSF/ANSI 372

See [http://info.nsf.org/Certified/Lead\\_Content/](http://info.nsf.org/Certified/Lead_Content/)  
for specific model listing



Listed by  
Underwriters  
Laboratories

Specification Revised 12/23

# GP50S08AYV

## *GE RealMAX® Choice 50-Gallon Short Power Vent Liquid Propane Water Heater*

### **FEATURES AND BENEFITS**

**Power Vent** – Get easy, anywhere venting. Gas power vent water heaters offer flexible venting options with either vertical or horizontal termination PVC, ABS or CPVC. Venting lengths up to 150ft.

**Real Capacity** – Get the most hot showers from the only water heater that holds a true 50 gallons of water. (Compared to steel tank water heaters per DOE rated gallon capacity.)

**Maximum Performance** – Live comfortably with this best in class unit that delivers 78 of hot water in the first hour of use. (50 Gallon model as Measured through DOE First Hour Rating)

**Household Size** – Provide hot water for the whole family of 3 to 5 persons.

**Brass Drain Valve** – Rust-proof construction can be counted on to provide long-lasting service.

**Leading Warranty** – RealMAX™ Choice water heaters carry an 8-year tank and parts limited warranty\*.

**SmartShield™ Safety System** – Monitors the surrounding air and automatically shuts off the unit if abnormal temperatures or the presence of flammable vapors are detected.

**Self-Diagnostic** – Monitors and reports on gas system status via an LED status light indicator.

Model GP50S08AYV – Diamond Gray

\*See written warranty for full details

