

Project Name:	Part Number:	Type:
---------------	--------------	-------

FNW LED NARROW WRAP

COMMERCIAL



FEATURES

- Narrow & Sleek Design w/ 9" Width
- Molded Endcap
- 4ft & 8ft Available
- 2,200 – 8,000 Lumens
- 3500K, 4000K & 5000K CCT
- 0-10V 120-277V Dimmable Driver
- Frosted Impact Resistant Lens
- Sensor Options
- 5 Year Warranty
- ETL Damp Location Listed
- DesignLights Consortium® Qualified Luminaire



SUITABLE APPLICATIONS

- Education
- Hospitals
- Offices
- Hallways
- Working Station Task Lighting
- Multipurpose

LED SYSTEMS INFO	22L	25L	30L	40L	40L	50L	60L	80L
Calculated L ₇₀ (TM-21)	>100K	>100K	>100K	>100K	>100K	>100K	>100K	>100K
Delivered Lumens	2,227 lm	2,437 lm	2,988 lm	3,945 lm	4,071 lm	5,048 lm	5,975 lm	7,891 lm
Total Input Watts	18 W	20 W	25 W	35 W	31 W	39 W	49 W	70 W
Luminaire Efficacy Rating (LER)	124 lm/W	122 lm/W	122 lm/W	113 lm/W	132 lm/W	129 lm/W	122 lm/W	113 lm/W
Correlated Color Temperature (CCT)	4000K	4000K	4000K	4000K	4000K	4000K	4000K	4000K
Color Rendering Index (CRI)	>80	>80	>80	>80	>80	>80	>80	>80
Ambient Temperature Range	-4°F-114°F	-4°F-114°F	-4°F-114°F	-4°F-114°F	-4°F-114°F	-4°F-114°F	-4°F-114°F	-4°F-114°F
Universal Driver	120-277 V	120-277 V	120-277 V	120-277 V	120-277 V	120-277 V	120-277 V	120-277 V
Replaces Existing	1T8	2T8	2T8	3T8	2T8	2T8/2T12	2T5HO	4T8/2T12HO

LED System data above based on FNW42240-01, FNW42540-01, FNW43040-01, FNW44040-01, FNW84040-01, FNW85040-01, FNW86040-01, & FNW88040-01.
LED Lumen maintenance estimates on TM-21 projections for the light source at 25°C ambient.

ORDERING GUIDE:

Series	Lumens	CCT	Gen	Options
FNW4 - 4ft	22 - 2200lm	50	<input checked="" type="checkbox"/> 01	USBD ³ User Selectable Bi-Level Dimming Sensor
	25 - 2500lm	40		BDxx ³ Preset Bi-Level Dim Sensor (xx=% e.g. 20, 30)
	30 - 3000lm	35		BDxxPC ³ Preset Bi-Level Dim Sensor w/ Photocell (xx=% e.g. 20, 30)
	40 - 4000lm			MWS Factory-installed Microwave Sensor
FNW8 - 8ft	40 - 4000lm ¹			FIOS ³ On/Off Occupancy Sensor
	50 - 5000lm ¹			FIOSPC ³ On/Off Occupancy Sensor w/ Photocell
	60 - 6000lm			FIOSPC/DLH ³ On/Off Occupancy Sensor w/ Photocell & Daylight Harvesting
	80 - 8000lm			Cx Cord (x=ft) (x= 6,10,15,20)
				MCx Flexible Conduit Whip (x=ft)
				RW/3W ⁴ 3 Wire Raceway Wiring Harness
				RW/5W ⁴ 5 Wire Raceway Wiring Harness
				AC5Y Y-Toggle Cable System (xx=inches)
				EM5 Factory Installed 5W LED Battery Backup
				EM5/HE Factory Installed 5W LED Battery Backup - CEC Title 20 Compliant
				EM7 Factory Installed 7W LED Battery Backup
				EM7/HE Factory Installed 7W LED Battery Backup - CEC Title 20 Compliant
				EM10 Factory Installed 10W LED Battery Backup
				EM10/HE Factory Installed 10W LED Battery Backup - CEC Title 20 Compliant
			EM10/HE/SD ⁵ 10W Factory Installed Self Diagnostic Battery Backup	
			EM12 Factory Installed 12W LED Battery Backup	
			SD347 ² 347V Step Down Transformer	
			SD480 ² 480V Step Down Transformer	
				Advanced Options
			AWNR Lutron Athena Wireless Node RF only	
			AWNS Lutron Athena Wireless Node with Sensor	

¹ DLC Premium

² Option Not DLC Listed

³ End Mount Sensor

⁴ Used for continuous through fixture

⁵ CEC Title 20 Compliant

FNW LED NARROW WRAP

COMMERCIAL

CONTROL OPTIONS

BASIC

FIOS

Standard on/off motion sensor. Comes with 360 degree high bay lens, 360 degree low bay lens & aisle lens. 360 degree high bay lens factory installed, unless notified otherwise. Sensor mounted off end cap of fixture. Inquire for mounting on center of driver cover.

FIOSPC

Motion sensor with the addition of photocell control. When installed, fixture will not activate unless 1. motion is detected and 2. light levels are below the preset level. When activated, fixture will turn on to 100% light output & will only shut off when one of the two levels mentioned above are met. If no motion is detected & light levels fall below preset level the fixture remains off. Sensor mounted off end cap of fixture.

FIOSPC/DLH

Factory installed motion sensor with the addition of photocell control that will allow for daylight harvesting. When installed, fixture will not activate unless 1. motion is detected & 2. light levels are below the preset level. When activated, fixture will turn on only enough to meet the preset light levels and will adjust as the amount of light in the space adjusts between 100%-10%. If light levels are adequate the fixture will remain off. Sensor mounted off end cap of fixture.

USBD

User Selectable Bi-Level Dimming. Allows the end user to manually select the unoccupied dimming level. Once motion is detected, the fixture will return to 100% light output. Sensor mounted off end cap of fixture.

BDxx

Factory set Bi-Level Dimming. Sensor is set to dim level, as indicated in the "xx" portion of the part number, when the area is unoccupied. Example: BD20 sets the fixture to dim down to 20% lumen output when the area is unoccupied. Once motion is detected, the fixture will return to 100% light output. Sensor mounted off end cap of fixture.

BDxxPC

Factory set Bi-Level Dimming with motion and photocell. Sensor is set to dim level, as indicated in the "xx" portion of the part number, when the area is unoccupied and will not return to 100% light output unless 1. motion is detected and 2. the light level is below the preset level. Example: BD20PC sets the fixture to dim down to 20% lumen output when the area is unoccupied and will not return to 100% light output unless the above conditions are met for both motion and light level readings. Sensor mounted off end cap of fixture.

MWS

Optional factory-installed microwave sensor hidden within the fixture provides optimal occupancy and photocell control.

ADVANCED

LUTRON

AWNDR

Athena wireless node is a radio frequency (RF) device that enables simple, digital control of individual light fixtures in an Athena control system. Enables individual wireless control of each fixture in an Athena control system. Accommodates zone and control changes without rewiring. All drivers on the link are controlled as a single zone. Provided with factory installed components only. Lutron Athena system provided by others.



AWNS

Athena wireless node with a sensor that enables simple, digital control of individual light fixtures in an Athena control system. Provides wireless control of the fixture and includes a passive infrared (PIR) sensor for occupancy and a daylight sensor. Enables individual wireless control of each fixture in an Athena control system. Accommodates zone and control changes without rewiring. All drivers on the link are controlled as a single zone. Provided with factory installed components only. Lutron Athena system provided by others.

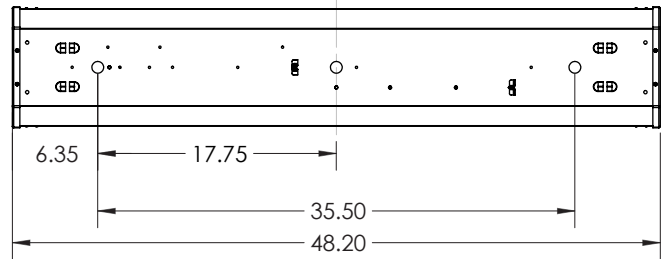
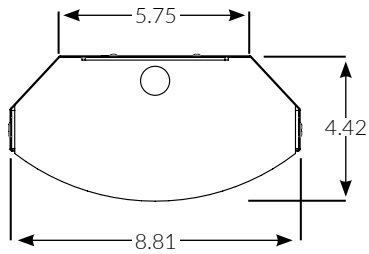


FNW LED NARROW WRAP

COMMERCIAL

LINE DRAWINGS

FNW 4ft

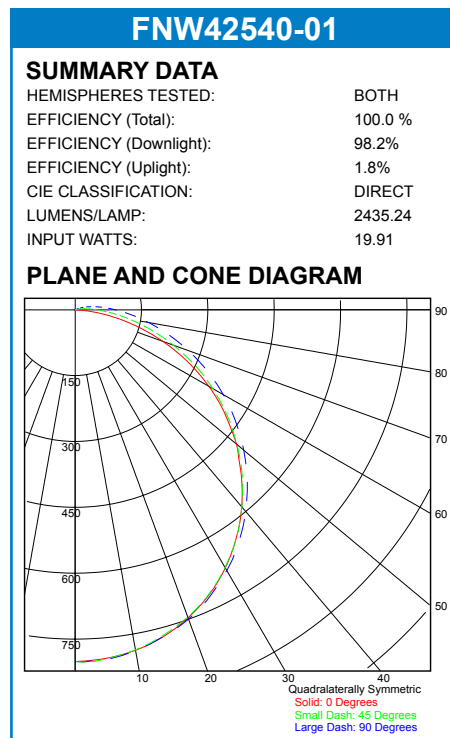
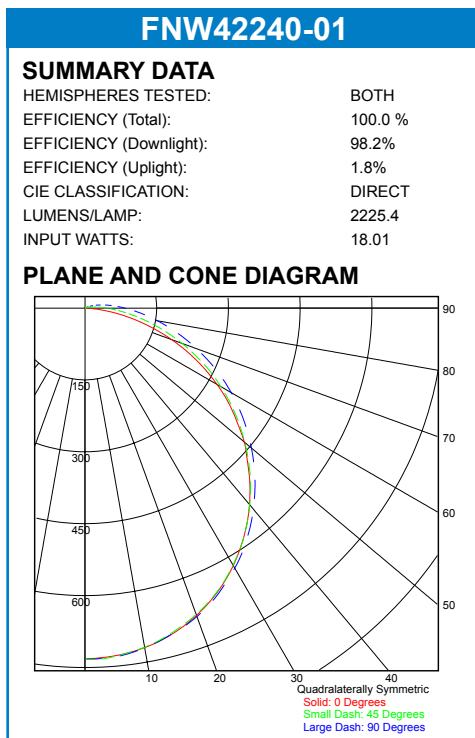


FNW 8ft



PHOTOMETRIC REPORTS

Photometric values based upon tests performed in compliance with LM-79. IES files can be downloaded at www.ilp-inc.com



FNW LED NARROW WRAP

COMMERCIAL

PHOTOMETRIC REPORTS

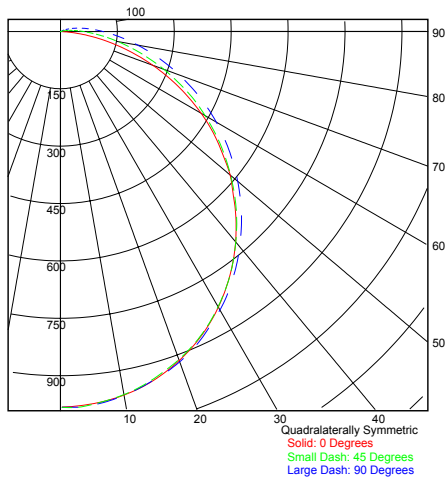
Photometric values based upon tests performed in compliance with LM-79. IES files can be downloaded at www.ilp-inc.com

FNW43040-01

SUMMARY DATA

HEMISPHERES TESTED:	BOTH
EFFICIENCY (Total):	100.0 %
EFFICIENCY (Downlight):	98.2%
EFFICIENCY (Uplight):	1.8%
CIE CLASSIFICATION:	DIRECT
LUMENS/LAMP:	2985.842
INPUT WATTS:	24.52

PLANE AND CONE DIAGRAM

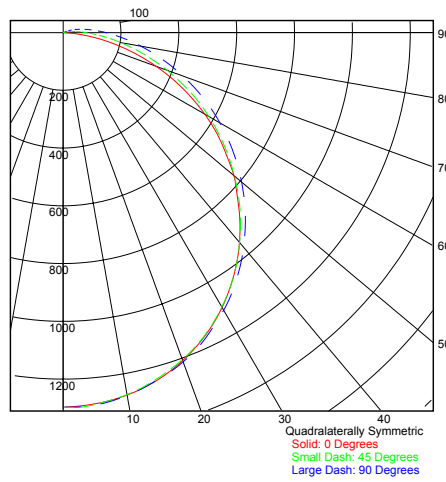


FNW44040-01

SUMMARY DATA

HEMISPHERES TESTED:	BOTH
EFFICIENCY (Total):	100.0 %
EFFICIENCY (Downlight):	98.2%
EFFICIENCY (Uplight):	1.8%
CIE CLASSIFICATION:	DIRECT
LUMENS/LAMP:	3942.153
INPUT WATTS:	34.84

PLANE AND CONE DIAGRAM

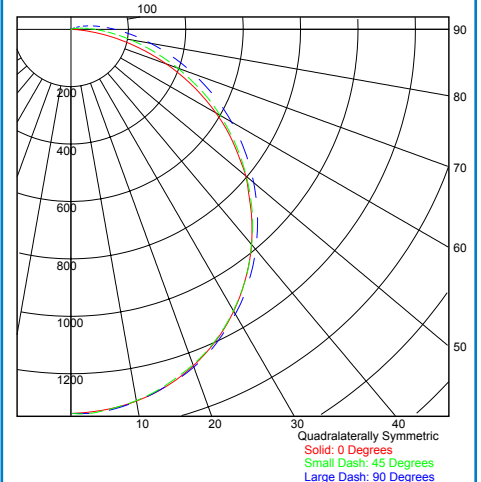


FNW84040-01

SUMMARY DATA

HEMISPHERES TESTED:	BOTH
EFFICIENCY (Total):	100.0 %
EFFICIENCY (Downlight):	98.2%
EFFICIENCY (Uplight):	1.8%
CIE CLASSIFICATION:	DIRECT
LUMENS/LAMP:	4068.062
INPUT WATTS:	30.73

PLANE AND CONE DIAGRAM

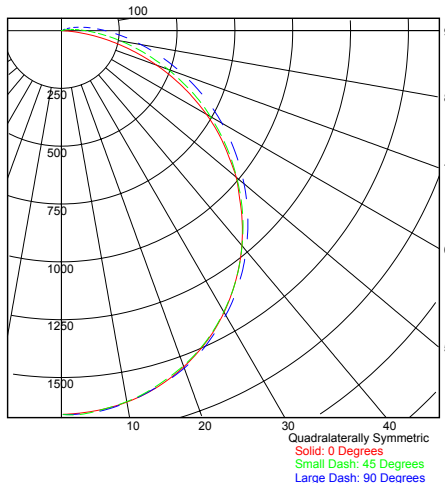


FNW85040-01

SUMMARY DATA

HEMISPHERES TESTED:	BOTH
EFFICIENCY (Total):	100.0 %
EFFICIENCY (Downlight):	98.2%
EFFICIENCY (Uplight):	1.8%
CIE CLASSIFICATION:	DIRECT
LUMENS/LAMP:	5044.358
INPUT WATTS:	39.23

PLANE AND CONE DIAGRAM

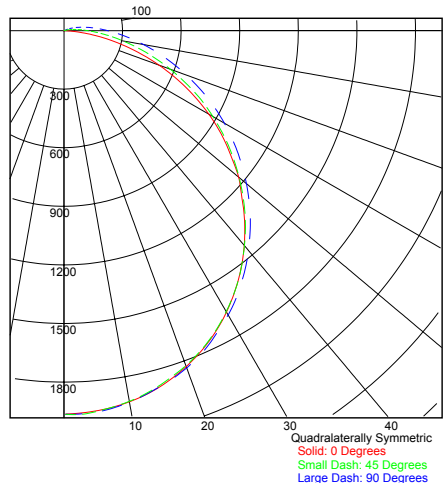


FNW86040-01

SUMMARY DATA

HEMISPHERES TESTED:	BOTH
EFFICIENCY (Total):	100.0 %
EFFICIENCY (Downlight):	98.2%
EFFICIENCY (Uplight):	1.8%
CIE CLASSIFICATION:	DIRECT
LUMENS/LAMP:	5970.691
INPUT WATTS:	49.05

PLANE AND CONE DIAGRAM



FNW88040-01

SUMMARY DATA

HEMISPHERES TESTED:	BOTH
EFFICIENCY (Total):	100.0 %
EFFICIENCY (Downlight):	98.2%
EFFICIENCY (Uplight):	1.8%
CIE CLASSIFICATION:	DIRECT
LUMENS/LAMP:	7885.311
INPUT WATTS:	69.68

PLANE AND CONE DIAGRAM

