

RECESSED GRID FRAME HIGH BAY

LED SYSTEMS INFO ¹	3000K		3500K		4000K		5000K		Ambient Temp Range	Watts ²	DLC	Replaces
	Part Numbers	Lumens	Efficacy	Lumens	Efficacy	Lumens	Efficacy	Lumens				
GH22-90WLED-UNIV-XX	13,143 lm	149 lm/w	13,381 lm	151 lm/w	13,620 lm	154 lm/w	13,859 lm	157 lm/w	-40°F-122°F	88W	Premium	250W MH
GH22-90WLED-UNIV-XX-FRL	11,740 lm	132 lm/w	11,953 lm	135 lm/w	12,166 lm	137 lm/w	12,352 lm	157 lm/w	-40°F-122°F	89W	Premium	250W MH
GH22-115WLED-UNIV-XX	16,155 lm	143 lm/w	16,448 lm	145 lm/w	16,741 lm	148 lm/w	17,036 lm	150 lm/w	-40°F-122°F	113W	Premium	400W MH
GH22-115WLED-UNIV-XX-FRL	14,260 lm ³	127 lm/w	14,519 lm ³	129 lm/w	14,778 lm	131 lm/w	15,037 lm	150 lm/w	-40°F-122°F	113W	Standard	400W MH
GH22-135WLED-UNIV-XX	19,670 lm	145 lm/w	20,027 lm	148 lm/w	20,384 lm	150 lm/w	20,742 lm	140 lm/w	-40°F-122°F	136W	Premium	400W MH
GH22-135WLED-UNIV-XX-FRL	17,450 lm	128 lm/w	17,767 lm ³	131 lm/w	18,083 lm	147 lm/w	18,340 lm	153 lm/w	-40°F-122°F	136W	Standard	400W MH
GH24-90WLED-UNIV-XX	12,657 lm	146 lm/w	13,003 lm	150 lm/w	13,637 lm	154 lm/w	13,991 lm	158 lm/w	-40°F-125°F	88W	Premium	3T5HO
GH24-90WLED-UNIV-XX-FRL	11,520 lm	133 lm/w	11,814 lm	136 lm/w	12,380 lm	140 lm/w	12,681 lm	143 lm/w	-40°F-125°F	89W	Premium	3T5HO
GH24-130WLED-UNIV-XX	19,283 lm	146 lm/w	19,786 lm	150 lm/w	20,289 lm	154 lm/w	20,793 lm	158 lm/w	-40°F-120°F	132W	Premium	400W MH
GH24-130WLED-UNIV-XX-FRL	17,387 lm	132 lm/w	17,841 lm	135 lm/w	18,294 lm	139 lm/w	18,749 lm	142 lm/w	-40°F-120°F	132W	Premium	400W MH
GH24-180WLED-UNIV-XX	24,852 lm	141 lm/w	25,500 lm	145 lm/w	26,148 lm	148 lm/w	26,798 lm	152 lm/w	-40°F-115°F	176W	Premium	6T5HO
GH24-180WLED-UNIV-XX-FRL	22,530 lm	128 lm/w	23,118 lm	132 lm/w	23,759 lm	135 lm/w	24,350 lm	138 lm/w	-40°F-115°F	176W	Premium	6T5HO

¹Values are nominal, see IES file for more detail
²Electrical data at 25C (77F). Actual wattage may differ by +/-10%.
³DLC Standard

SPECIFICATIONS

CONSTRUCTION

Lightweight aluminum body for rigidity, durability and ease of installation. Designed to achieve maximum performance and improved aesthetics. Toolless hinged driver door access for ease of maintenance and installation. Access plate installed on top of fixture for easy hardwire power connections. Optional factory installed power flex conduit whip (WHIP) available to reduce electrical installation time.

ELECTRICAL

Class 2 LED light engine for high efficacy and long life. Calculated L70 > 100,000 hrs. LED Lumen Maintenance Estimates based on TM-21 projections for the light source at 25°C ambient. Power Factor > 0.90. Standard 120-277 Vac 0-10V dimmable (10%-100%) with optional 347-480 Vac step down transformer. Optional emergency battery backups and generator transfer device available to meet critical life safety lighting requirements.

MOUNTING

Recessed mounted into standard 15/16" T-Grid Ceiling. Optional Flange Kit (FLGK) for recessed drywall mounting.

WARRANTY

5 Year Warranty (Terms and Conditions apply)

OPTICS

Standard without lens. Optional Frosted Acrylic (FRL), Clear Polycarbonate (PCL) and Frosted Polycarbonate (PFL) lenses available for added LED protection and glare reduction. Polycarbonate lens option required for racquetball court installations. Optional 11 ga. Wire Cage for added protection.

CONTROLS

Factory installed Basic integral occupancy sensor option available. Microwave (MWS) sensor is installed behind the lens and allows for bi-level dimming operation.

CERTIFICATIONS

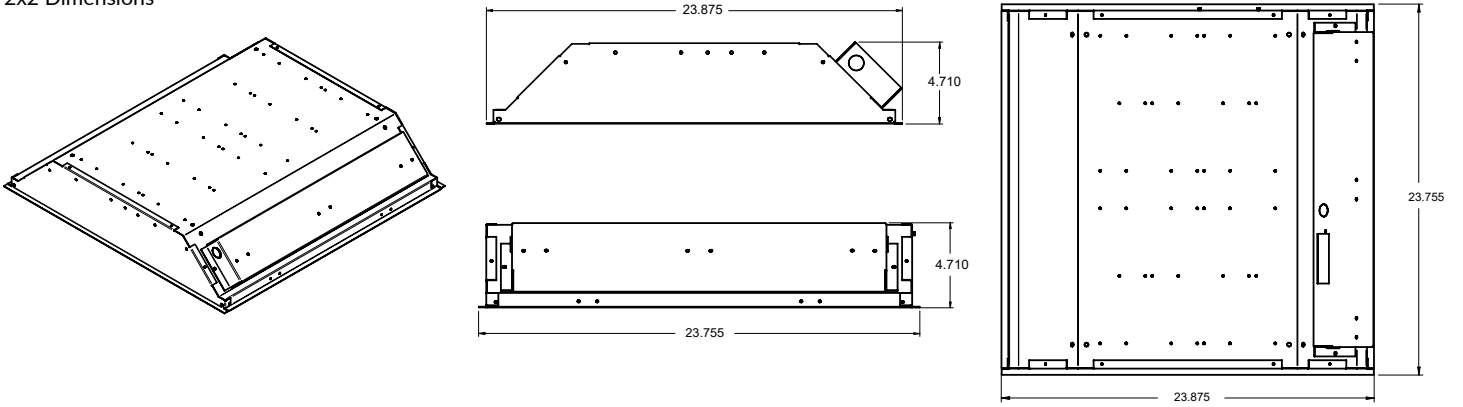
ETL listed to US and Canadian safety standards. Suitable for damp locations. American Recovery and Reinvestment Act Funding Compliant. DLC (DesignLights Consortium) Premium Qualified, with some Standard Qualified configurations. Please refer to the DLC Qualified Products List at www.designlights.org/QPL to confirm specific product qualifications.

GH

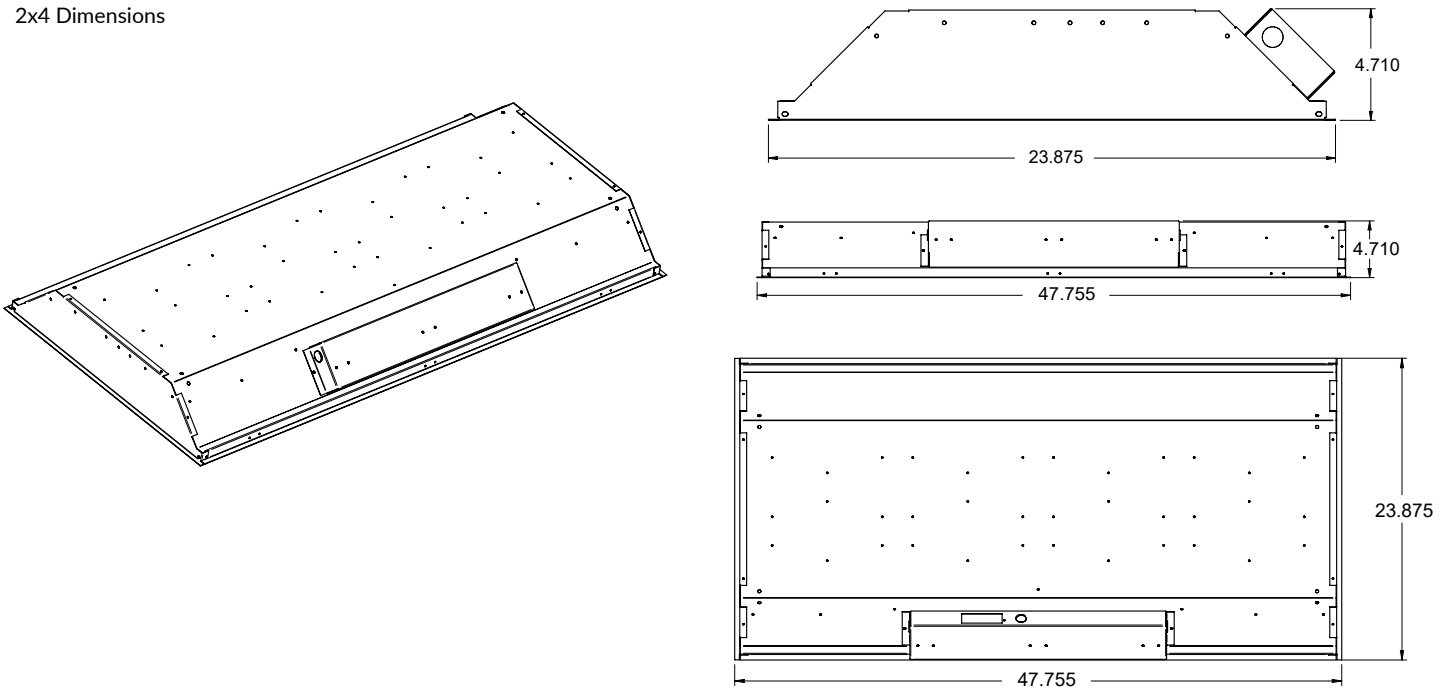
RECESSED GRID FRAME HIGH BAY

LINE DRAWINGS

2x2 Dimensions



2x4 Dimensions

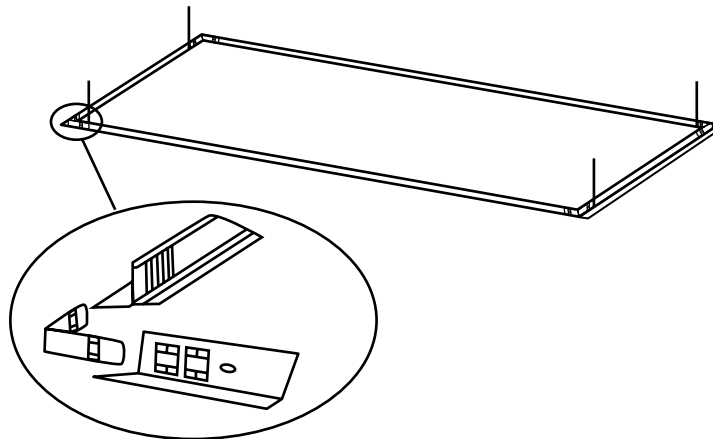


Flange Kit

Dimensions:

2x2 - Ceiling opening is 24.25" x 24.25"

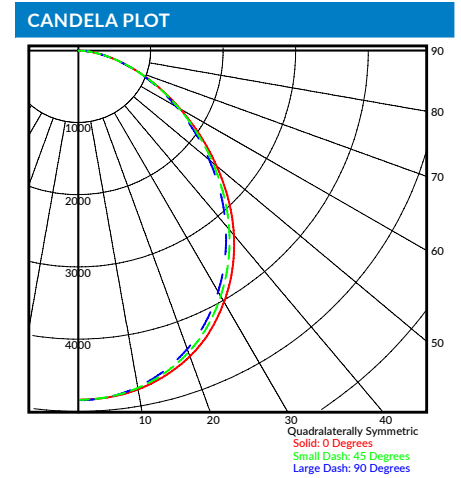
2x4 - Ceiling opening is 24.25" x 48.25"



PHOTOMETRIC DATA

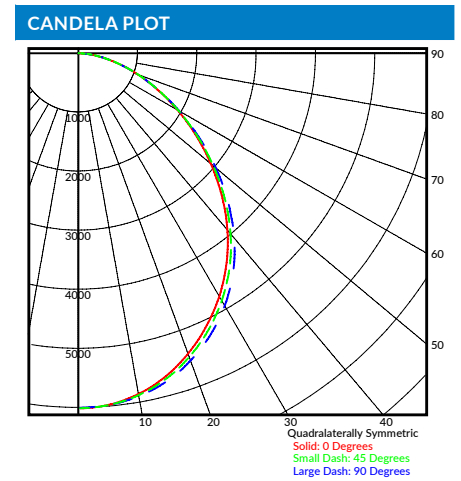
LUMINAIRE DATA	
Part Number	GH22-90WLED-UNIV-50-FRL
Description	2'x2' Grid High Bay with frosted acrylic lens, 12,000 lumens
Fixture Lumens (lm)	12,352 lm
Wattage (W)	89 W
Efficacy (lm/W)	157 lm/W
Mounting	Recessed
Spacing Criteria	0° = 1.23, 90° = 1.19

ZONAL LUMEN SUMMARY		
Zone	Lumens (lm)	% Fixture
0° - 40°	5,971	50%
0° - 60°	9,975	83%
0° - 90°	12,352	100%
90° - 180°	0	0%
0° - 180°	12,352	100%



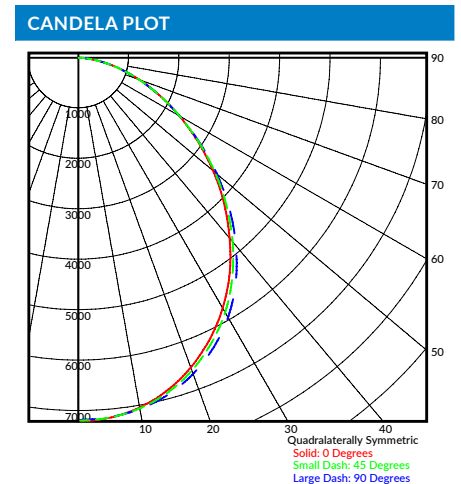
LUMINAIRE DATA	
Part Number	GH22-115WLED-UNIV-50-FRL
Description	2'x2' Grid High Bay with frosted acrylic lens, 15,000 lumens
Fixture Lumens (lm)	15,037 lm
Wattage (W)	113 W
Efficacy (lm/W)	150 lm/W
Mounting	Recessed
Spacing Criteria	0° = 1.18, 90° = 1.22

ZONAL LUMEN SUMMARY		
Zone	Lumens (lm)	% Fixture
0° - 40°	7,359	50%
0° - 60°	12,270	83%
0° - 90°	15,037	100%
90° - 180°	0	0%
0° - 180°	15,037	100%



LUMINAIRE DATA	
Part Number	GH22-135WLED-UNIV-50-FRL
Description	2'x2' Grid High Bay with frosted acrylic lens, 18,000 lumens
Fixture Lumens (lm)	18,340 lm
Wattage (W)	136 W
Efficacy (lm/W)	153 lm/W
Mounting	Recessed
Spacing Criteria	0° = 1.19, 90° = 1.23

ZONAL LUMEN SUMMARY		
Zone	Lumens (lm)	% Fixture
0° - 40°	8,847	50%
0° - 60°	14,703	83%
0° - 90°	18,340	100%
90° - 180°	0	0%
0° - 180°	18,340	100%

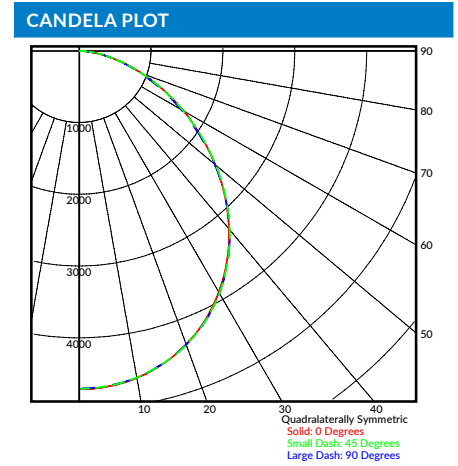


RECESSED GRID FRAME HIGH BAY

PHOTOMETRIC DATA

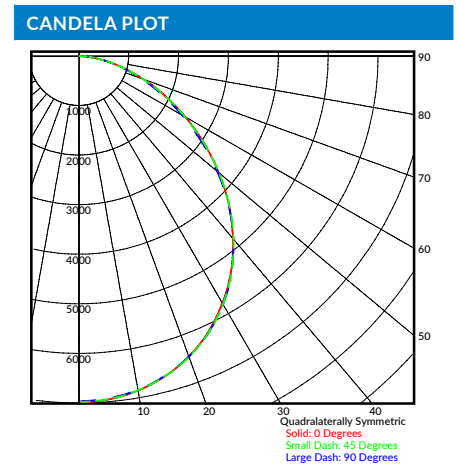
LUMINAIRE DATA	
Part Number	GH24-90WLED-UNIV-50-FRL
Description	2'x4' Grid High Bay with frosted acrylic lens, 12,000 lumens
Fixture Lumens (lm)	12,681 lm
Wattage (W)	89 W
Efficacy (lm/W)	143 lm/W
Mounting	Recessed
Spacing Criteria	0° = 1.23, 90° = 1.23

ZONAL LUMEN SUMMARY		
Zone	Lumens (lm)	% Fixture
0° - 40°	5,885	49%
0° - 60°	9,963	82%
0° - 90°	12,681	100%
90° - 180°	0	0%
0° - 180°	12,681	100%



LUMINAIRE DATA	
Part Number	GH24-130WLED-UNIV-50-FRL
Description	2'x4' Grid High Bay with frosted acrylic lens, 18,000 lumens
Fixture Lumens (lm)	18,749 lm
Wattage (W)	132 W
Efficacy (lm/W)	142 lm/W
Mounting	Recessed
Spacing Criteria	0° = 1.23, 90° = 1.23

ZONAL LUMEN SUMMARY		
Zone	Lumens (lm)	% Fixture
0° - 40°	8,718	49%
0° - 60°	14,743	82%
0° - 90°	18,749	100%
90° - 180°	0	0%
0° - 180°	18,749	100%



LUMINAIRE DATA	
Part Number	GH24-180WLED-UNIV-50-FRL
Description	2'x4' Grid High Bay with frosted acrylic lens, 24,000 lumens
Fixture Lumens (lm)	24,350 lm
Wattage (W)	176 W
Efficacy (lm/W)	138 lm/W
Mounting	Recessed
Spacing Criteria	0° = 1.23, 90° = 1.24

ZONAL LUMEN SUMMARY		
Zone	Lumens (lm)	% Fixture
0° - 40°	11,420	49%
0° - 60°	19,257	83%
0° - 90°	24,350	100%
90° - 180°	0	0%
0° - 180°	24,350	100%

