

SKYLINE

FLOOD LIGHT SERIES



FEATURES

- Specification Grade die-cast aluminum housing
- Powder Coat Finishes: Bronze (BRZ), Black (BLK), Silver (SLV) & White (WHT)
- Custom color finishes available
- High Performance Medium, Wide, Forward, & Very Wide optic distributions
- Universal Adjustable Pole Mount Allows for 1 man installation on existing poles with no drilling required
- 5 Different Optional Mounting Methods (3G Rated¹)
- Single Fastener hinged door driver access
- 120-277V Universal Voltage or 347-480V High Voltage
- 0-10V Dimmable Driver (std.)
- PIR Occupancy, Photocell, & Bi-Level Dimming Sensors Available
- 3-Pin & 7-Pin ANSI C136.41 Control Receptacle Options
- Wireless control integrated luminaire
- 3000K, 4000K & 5000K CCT
- >70 Color Rendering Index (CRI)
- Calculated L80 >100,000 hrs @ 25°C per TM-21-11
- IP66 Rated Luminaire
- 5 Year Warranty; 10 Year Optional Warranty²
- ETL Listed for Wet Locations



* Shown with UAB Mounting



¹ TRN & SLPF 1.5G Rated ² Requires additional Surge Protection (SP1, SP2, SP480V2);
For additional details see General Terms and Conditions

SUITABLE APPLICATIONS

- Parking Lots
- Parking Structure
- Parks
- Education
- Hospitals
- Car Dealerships
- Shopping Centers
- Distribution/Warehouse

ORDERING GUIDE

SERIES	LUMENS	VOLTAGE	CCT	DISTRIBUTION	MOUNTING	FINISH ¹	WARRANTY
SFS Small	6L 6,000 lm	U 120-277v	30 3000K	MD Medium (4x4)	SLPF Adjustable Slip Fitter	BRZ	(Blank) 5YR
	9L 9,000 lm	HV 347-480v	40 4000K	WD Wide Forward (6x6)	UAB Universal Adjustable	BLK	10YR 10YR
	12L 12,000 lm		50 5000K	VW Very Wide (7x6)	UAB/R Universal Adjustable Sqr/ Rnd pole 3"-6"	WHT	
	15L 15,000 lm				WAM Wall Adjustable Mount	SLV	
	18L 18,000 lm				TRN Trunnion Mount		
SFM Med	24L 24,000 lm						
	30L 30,000 lm						
	36L 36,000 lm						
	42L 42,000 lm						

BASIC CONTROLS		ADVANCED CONTROLS	
(Blank)	None	(Blank)	None
FAO¹	Field Adjustable Output	SYN⁵	Synapse Control System
CR3P	3-Pin NEMA Control receptacle	SYNS/LX⁵	Synapse Control System w/ Sensor (X = Mounting Height 3=10-20', 7=20-40')
CR7P⁶	7-Pin NEMA Control receptacle	SU/5S/LR/IL¹	Enlighted 5S Individual Lighting (IL) Sensor with Control Unit
FSP-311/LX^{1,3}	Legrand FSP-311 120-277V Sensor (X = Mounting Height 3=10-20', 7=20-40')	SU/5S/LR/CL¹	Enlighted 5S Connected Lighting (CL) Sensor with Control Unit
FSP-321/LX³	Legrand FSP-321 347-480V Sensor (X = Mounting Height 3=10-20', 7=20-40')	SU/5S/LR/IOT¹	Enlighted 5S Internet of Things (IOT) Sensor with Control Unit

OPTIONS - FACTORY INSTALLED		ACCESSORIES	
(Blank)	None	SAx/BIRD	Bird Spikes (x= fixture size)
SP1¹	10kA Surge Protection Device	TL7/HVG^{5,7}	Synapse Twist Lock Mesh Network 480V
SP2¹	20kA Surge Protection Device	LL/5TL010	Lutron Limelight Twist Lock Mesh Network 120-277V ^{1,7}
FUSE/SXXX	FUSE 120V, 277V, 347V (x= voltage)	TLPC/HV⁴	347-480V Twist Lock Photocell
FUSE/DXXX	FUSE 208V, 240V, 480V (x= voltage)	TLPC/UNV^{4,4}	120-277V Twist Lock Photocell
		ILP PAINT CHIP PACK	ILP Standard Color Paint Chips

¹ Not available with HV option
² Option Not DLC qualified
³ Requires Bluetooth Enabled device for programming (provided by others)
⁴ Only Compatible with CR3P and CR7P
⁵ Contact Factory for Site Layout, For HV models contact Factory for pricing.
⁶ Dimming Leads will be wired to receptacle unless otherwise specified
⁷ CR7P Required

SKYLINE

FLOOD LIGHT SERIES

LED SYSTEMS INFO ^{1,3}		3000K		4000K		5000K		Watts ²	Replaces
Part Numbers	Distribution	Lumens	Efficacy	Lumens	Efficacy	Lumens	Efficacy		
SFS-6L	MD	7001	152.2	7369	160.2	7517	163.4	46 W	175W MH
	WD	7112	154.6	7486	162.7	7636	166.0		
	VW	7133	155.1	7508	163.2	7658	166.5		
SFS-9L	MD	10001	142.9	10527	150.4	10738	153.4	70 W	250W MH
	WD	10160	145.1	10695	152.8	10909	155.8		
	VW	10189	145.6	10726	153.2	10940	156.3		
SFS-12L	MD	13270	150.3	13968	158.2	14247	161.4	88.3 W	320W MH
	WD	13480	152.7	14190	160.7	14474	163.9		
	VW	13519	153.1	14231	161.2	14516	164.4		
SFS-15L	MD	16310	148.3	17169	156.1	17512	159.2	110 W	400W MH
	WD	16570	150.6	17442	158.6	17791	161.7		
	VW	16618	151.1	17492	159.0	17842	162.2		
SFS-18L	MD	19656	143.5	20691	151.0	21104	154.0	137 W	400W MH
	WD	19968	145.8	21019	153.4	21440	156.5		
	VW	20026	146.2	21080	153.9	21502	156.9		
SFM-24L	MD	25046	150.0	26364	157.9	26891	161.0	167 W	400W MH
	WD	25444	152.4	26783	160.4	27319	163.6		
	VW	25518	152.8	27337	163.7	27398	164.1		
SFM-30L	MD	30992	140.9	32623	148.3	33275	151.3	220 W	750W MH
	WD	31484	143.1	33141	150.6	33804	153.7		
	VW	31575	143.5	33237	151.1	33902	154.1		
SFM-36L	MD	36791	156.6	38727	164.8	39502	168.1	235 W	750W MH
	WD	37376	159.0	39343	167.4	40130	170.8		
	VW	37484	159.5	39457	167.9	40246	171.3		
SFM-42L	MD	42257	155.4	44481	163.5	45371	166.8	272 W	1000W MH
	WD	42929	157.8	45188	166.1	46092	169.5		
	VW	43053	158.3	45319	166.6	46225	169.9		

¹Values are nominal, see IES file for more detail

²Electrical data at 25C (77F). Actual wattage may differ by +/-10%.

³Predictive Data, Subject to change per compliance testing completion







SKYLINE

FLOOD LIGHT SERIES

EPA RATINGS AND VIBRATION CHART

	SLPF		UAB (R)		WAM		TRN		WEIGHT
SFS	0.53	1.5g	0.53	3g	0.53	3g	0.47	1.5g	11 lbs
SFM	0.71	1.5g	0.71	3g	0.71	3g	0.64	1.5g	22 lbs
WEIGHT	4.5 lbs		5.5 lbs		6.0 lbs		2.5 lbs		

* EPA Ratings listed assume fixture is mounted horizontally. For adjustable mounting options, EPA will vary with selected angle.

TILT DEGREE		0°	30°	45°	TILT DEGREE		0°	30°	45°
 Single	SFS	0.53	1.49	1.95	 T90°	SFS	1.27	2.07	2.71
	SFM	0.71	2.79	3.75		SFM	1.70	3.88	5.21
 D180°	SFS	1.17	1.49	1.95	 TN120°	SFS	1.38	3.13	4.06
	SFM	1.56	2.79	3.75		SFM	1.85	5.86	7.80
 D90°	SFS	0.95	1.79	1.95	 Q90°	SFS	1.27	2.07	2.71
	SFM	1.28	3.35	3.75		SFM	1.70	3.88	5.21

*EPA for SPLF, UAB, and WAM mounts

ELECTRICAL DATA (AMPS)^{1,2}

Lumen Package	120V	208V	240V	277V	347V	480V
6L	0.38 A	0.22 A	0.19 A	0.17 A	0.13 A	0.10 A
9L	0.58 A	0.34 A	0.29 A	0.25 A	0.20 A	0.15 A
12L	0.73 A	0.42 A	0.37 A	0.32 A	0.25 A	0.18 A
15L	0.92 A	0.53 A	0.46 A	0.40 A	0.32 A	0.23 A
18L	1.14 A	0.66 A	0.57 A	0.49 A	0.39 A	0.29 A
24L	1.39 A	0.80 A	0.70 A	0.60 A	0.48 A	0.35 A
30L	1.83 A	1.06 A	0.92 A	0.79 A	0.63 A	0.46 A
36L	1.96 A	1.13 A	0.98 A	0.85 A	0.68 A	0.49 A
42L	2.27 A	1.31 A	1.13 A	0.98 A	0.78 A	0.57 A

¹Electrical data at 25C (77F). Actual wattage may differ by +/-10%.

²Predictive Data, Subject to change per compliance testing completion

SKYLINE

FLOOD LIGHT SERIES

SPECIFICATIONS

CONSTRUCTION

The Skyline series features a slim profile die-cast aluminum housing available in 2 different sizes for a fully scalable solution. The versatile 5 optional mounting methods allow for easy installation while the hinged door allows for quick drop-down driver access for maintenance. The standard Keyhole / slotted UAB mounting bracket allows for a “no-drilling” 1-man installation by mounting the UAB on existing pole drillings and the luminaire head onto the UAB, substantially reducing installation labor. The fully gasketed housing is IP66 rated for whole luminaire ingress protection against moisture and environmental contaminants. The Skyline’s low-profile design results in a low EPA, allowing pole optimization to thinner or smaller size pole shafts. Vibration rated per ANSI C136.31 on all mountings (see table Above). The Skyline Series is protected with a durable bronze polyester powder coat finish to withstand extreme weather changes without cracking or peeling on all standard color options.

OPTICS

The IP66 silicone gasket sealed optical chamber utilizes proprietary polycarbonate refractive optics to provide exceptional coverage and uniformity in Medium (4x4), Wide Forward Throw(6x6), Very Wide (7x6) Flood optic distributions. Available in 5000K, 4000K, and 3000K, color temperatures per ANSI C78.377. Minimum CRI of 70. Optional field installed 3-sided visor accessory is available for on-site High Angle Glare reduction while the Full visor cuts off all high angle light 360°.

ELECTRICAL

Class 1 High-performance drivers features over-voltage, under-voltage, short circuit and over temperature protection. 0-10V dimming (10% - 100%) standard. Standard Universal Voltage (120-277 Vac) Input 50/60 Hz or optional High Voltage (347-480 Vac). L80 >100,000 hrs. in accordance with IESNA TM-21-19 projected values at 25°C Ambient temperature. Total harmonic distortion: <20%. Power factor: >0.90. Input power stays constant over life. Minimum 6kV surge rating meets a minimum Category C Low operation (per ANSI/IEEE C62.41.2). Additional protection is available in 10kV and 20kV options.

THERMAL

The Skyline Series features an array of High-efficacy LED’s mounted on a metal core circuit board. The LED boards are mounted directly to the cast aluminum housing with heat dissipating fins to provide excellent thermal performance extending the life of electronic components. Operating Ambient Temperature: -40°C to +50°C (-40°F to 122°F).

INSTALLATION

The versatile Skyline series comes with 5 optional mounting methods. The standard keyhole / slotted universal mounting bracket (UMB) allows for a “no-drilling” 1-man installation by mounting the UMB on existing pole drillings and the luminaire head onto the UMB, substantially reducing installation labor and providing full adjustability for aiming towards the intended target. The 3G rated UMB quick mount allows for pole mounting to any round 3"-6" or square poles with a vertical mounting pattern between 2"-5".

The 3G rated wall adjustable mount (WAM) allows for easy installation to any vertical wall surface or J-box with full range wall mount tilting. The 1.5G rated adjustable slip fitter (SLPF) mounts to any vertical or horizontal tenon 2" pipe (2-3/8" OD) allowing for full range tilting.

The trunnion/yoke bracket (TRN) enables the Skyline to be used for general flood applications with full range tilting as required. All mounting methods are provided with a 3-wire 3' outdoor rated cord is provided for wiring. 5-wire cord optional for external dimming, consult factory. See charts above for all vibration, weight, and EPA results.

CONTROLS

Standalone Controls:

Factory installed 3-Pin & 7-Pin ANSI C136.41 Control Receptacle Options available. Dusk to Dawn twist lock photocells sold separately (See accessories). Optional PIR sensors available installed in housing hinged door. Sensors provide optional on/off control, photocell capability, bi-level dimming, and bluetooth configuration allows for on-site modifications.

Wireless Control Systems:

The Skyline Series is wireless mesh controls ready with Synapse, Enlighted, and Lutron Limelight wireless control platforms. Available with and without PIR sensors. Inquire with factory for more information or for additional controls options, including customer supplied items.

WARRANTY

5 Year Warranty Standard; 10 Year Warranty Optional (Terms and Conditions apply).

CERTIFICATIONS

ETL Listed for wet locations. Tested in accordance with IESNA LM-79 and LM-80 standards. BAA compliant. RoHS Compliant. IDA compliant; with 3000K color temperature selection. Title 24 Compliant; see local ordinance for qualification information. IP66 rated Luminaire per IEC 60598. IP66 rated optical chamber.

SKYLINE

FLOOD LIGHT SERIES

BASIC

FAO

Internal bi-level switch offers adjustable light levels for greater flexibility within one product. Utilizes 0-10V dimming wires and cannot be combined with other sensor or control options.

CRxP

3-Pin or 7-pin ANSI C136.41-2013 control receptacle option available for NEMA twist lock photocontrols or wireless control modules. Control accessories sold separately. Dimming leads from the receptacle will be connected to the driver dimming leads (Consult factory for alternate wiring). x = Number of pins (3 or 7).

FSP-311/Ly - FSP-321/Ly

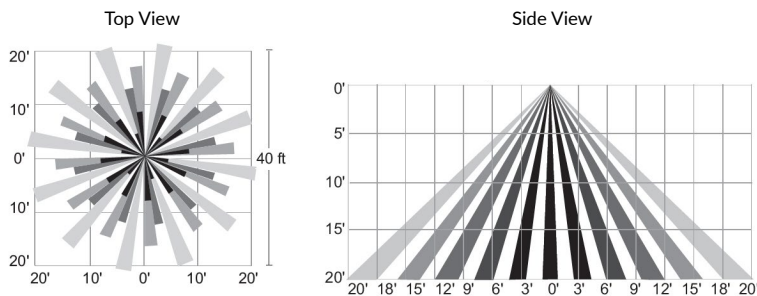
Optional Bluetooth Programmable PIR sensor allows for Continuous Dimming, Motion and/ or daylight harvesting, Fully adjustable high/low dimmed light levels, and Adjustable time delay/ cutoff delay. The sensor is programmed via a free iOS® or Android® Sensor Configuration App (compatible device provided by others). Available in 10'-20' or 20'-40' mounting lenses. See coverage patterns below, L7=20'-40', L3=20'-40'.

Default Settings:

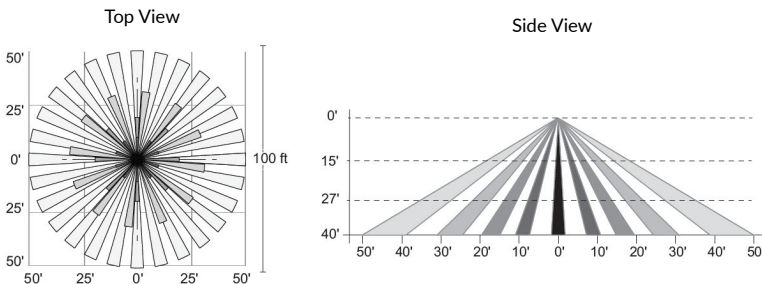
- High Mode: 100% Output
- Low Mode: 10% Output
- Time Delay: 5 mins
- Cutoff: 1 hr
- Sensitivity: High
- Photocell: Disabled
- Continuous Dimming: Disabled

COVERAGE PATTERNS

FSP-3xx/L3



FSP-3xx/L7



ADVANCED

Synapse (SYN or TL7)

Utilizing a robust 2.4 GHz Self-Healing Mesh Network, Synapse provides flexibility and scalability making it a perfect outdoor solution for both new construction and retrofit projects. The easy-to-use web application is accessible on any device with an internet connection and allows for complete customization of the system and its features. Integral radio (SYN) includes (2) 24V inputs for a Wattstopper sensor or twist lock photocell into the wireless lighting system. External radio (TL7) includes (1) low voltage input for a Wattstopper sensor, available in both universal(120-277V) or high voltage (480V). Sensors available in 20' or 40' mounting lenses. See coverage patterns below. Sensor mounted on hinged driver cover. Antenna exits side of luminaire for maximum connectivity.

Enlighted

Enlighted's three-tier, over-the-air upgradeable wireless control platforms provide out-of-the-box compliance with energy use regulations. The comprehensive capabilities of the sensor include vacancy detection, daylight harvesting, demand response, and energy savings reporting. Enlighted's enterprise system allows for easy integration of indoor and outdoor lighting with building management systems for site-wide IOT management. Enlighted ruggedized sensor mounted on hinged driver cover.

• Enlighted One (SU/5S/LR/IL)

-Fixtures are controlled based on occupancy and ambient light. Includes ability to group fixtures together and connect to a switch to zone fixtures for group operation.

• Enlighted Connected (SU/5S/LR/CL)

-Fixtures are controlled based on occupancy & ambient light. Includes individual lighting control plus connection to Enlighted Energy Manager. The Energy Manager provides data analysis for all data collected by the Enlighted Smart Sensors for energy, occupancy & environment.

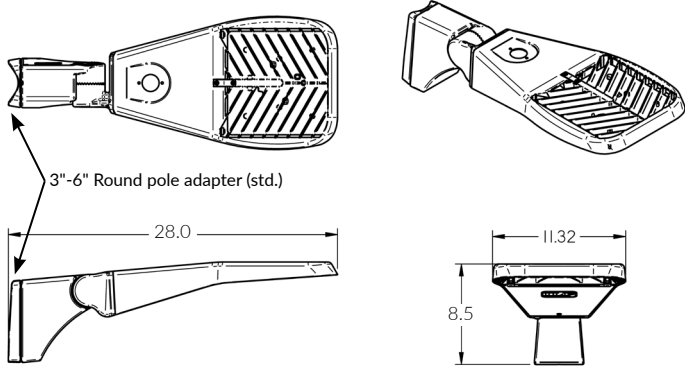
• Enlighted IOT (SU/5S/LR/IOT)

-Fixtures are controlled based on occupancy and ambient light. Includes individual lighting control plus connection to Enlighted Energy Manager. The Energy Manager provides data analysis for all data collected by Enlighted Smart Sensors for energy, occupancy & environment. Additionally, the IOT functionality takes the data access and function beyond just lighting to a wide range of applications beyond the standard connected lighting controls.

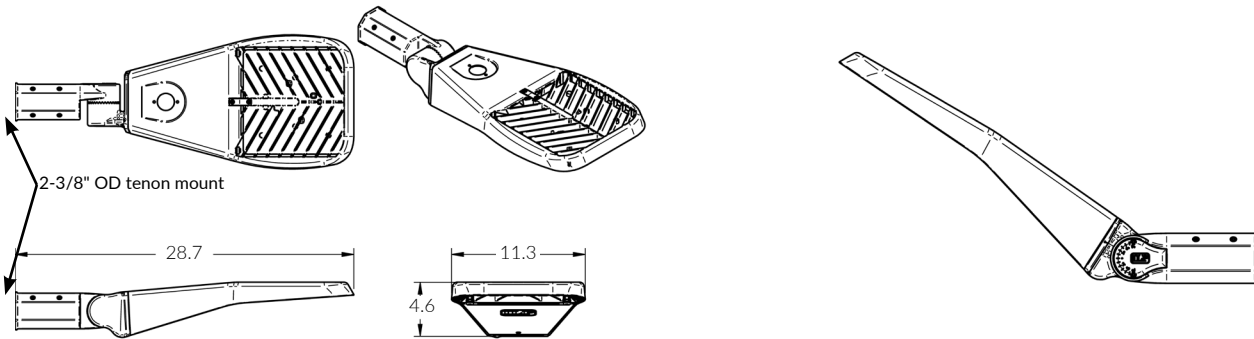
SKYLINE

FLOOD LIGHT SERIES

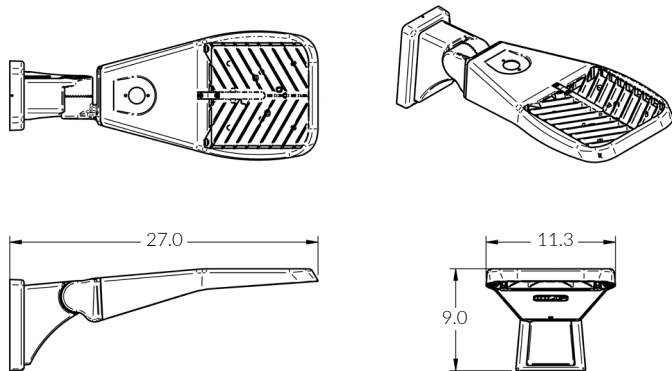
SFS Universal Adjustable Mount Bracket (UAB)



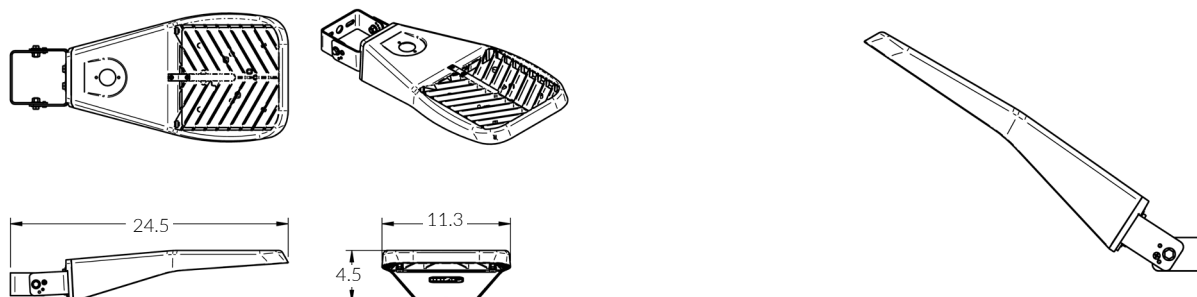
SFS Adjustable Slip Fitter (SLPF)



SFS Wall Adjustable Mount Bracket (WAM)



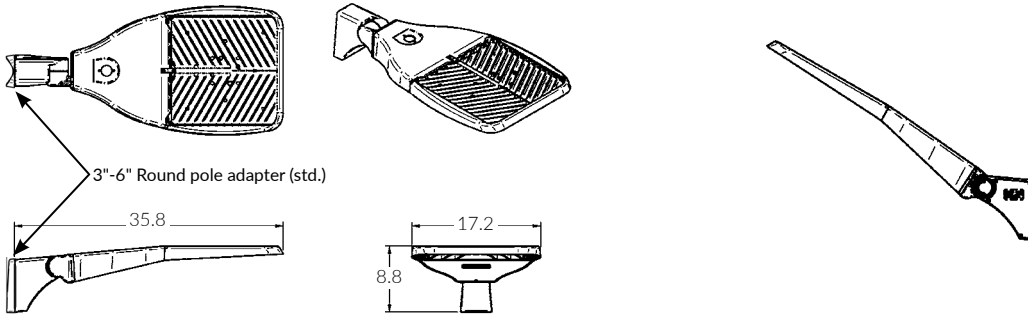
SFS Trunnion Mount (TRN)



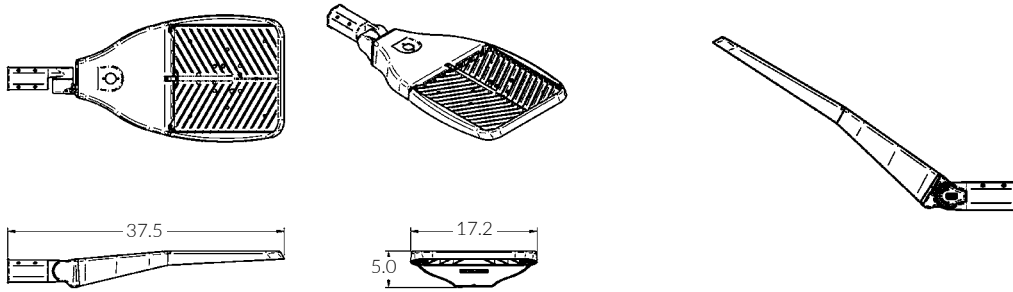
SKYLINE

FLOOD LIGHT SERIES

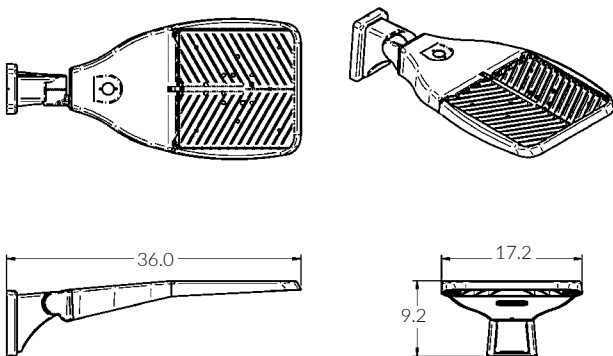
SFM Universal Adjustable Mount Bracket (UAB)



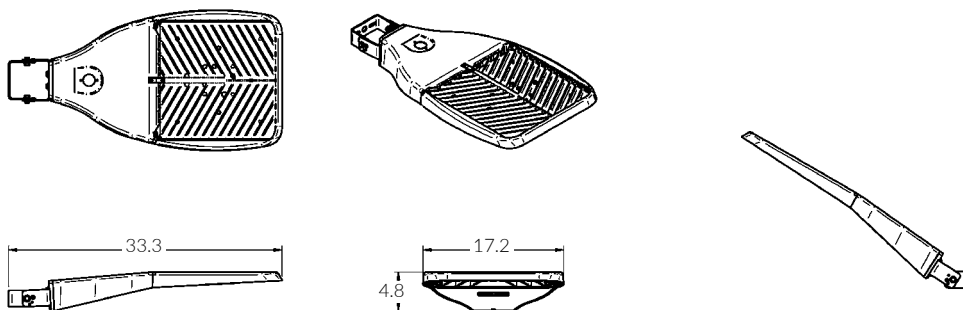
SFM Adjustable Slip Fitter (SLPF)



SFM Wall Adjustable Mount Bracket WAM



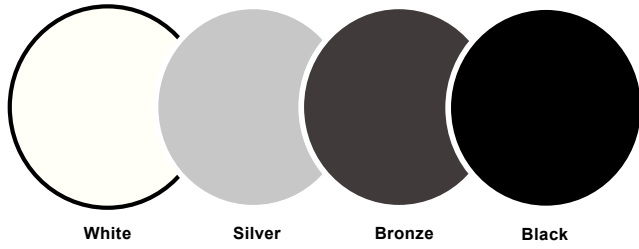
SFM Trunnion Mount (TRN)



SKYLINE

FLOOD LIGHT SERIES

FACTORY SELECT FINISH GUIDE



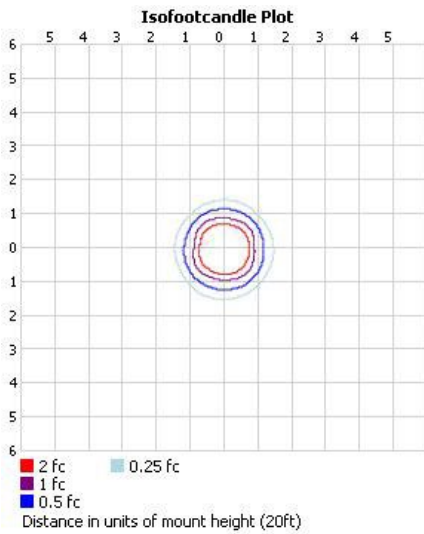
COLOR NAME AND DESCRIPTION	PRICING
WHT - ILP White	Standard
SLV - ILP Silver	Standard
BRZ - ILP Bronze	Standard
BLK - ILP Black	Standard

**COLORS SHOWN ABOVE ARE TO BE USED AS REFERENCE, NOT EXACT MATCH.
PLEASE REQUEST PAINT CHIPS FOR EXACT MATCH.**

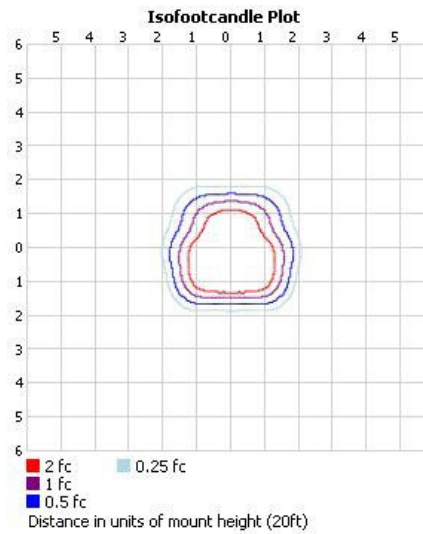
PHOTOMETRIC REPORTS

Photometric values based upon tests performed in compliance with LM-79. IES files can be downloaded at www.ilp-inc.com

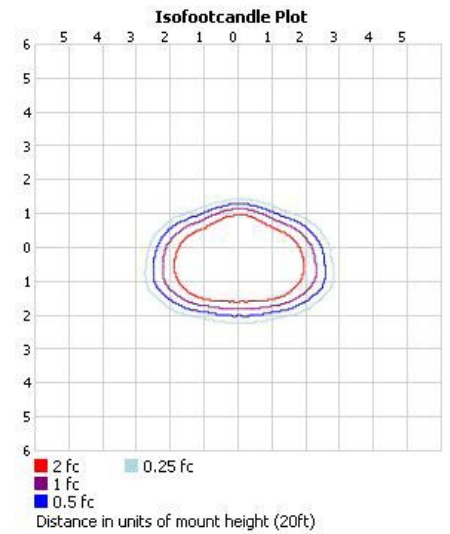
Medium Distribution (MD) NEMA 4x4



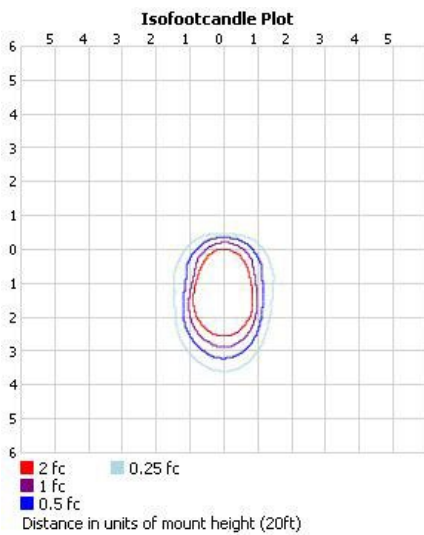
Wide Distribution (WD) NEMA 6x6



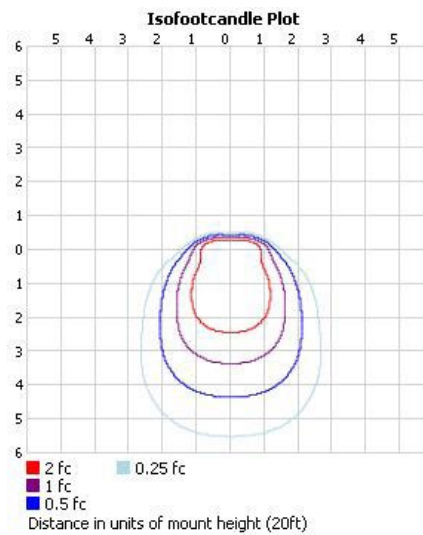
Very Wide Forward Distribution (VW) NEMA 7x6



Medium Distribution (MD) with 45° tilt



Wide Distribution (WD) with 45° tilt



Very Wide Forward Distribution (VW) with 45° tilt

