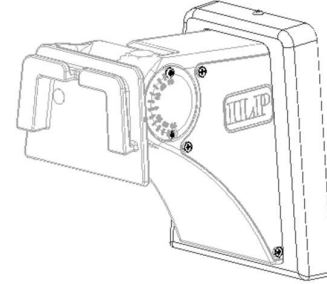




MODELS: All SAS & SAM Fixtures

1. Introduction

- Tools Needed:
Drill with Philips Head Bit or Philips Head Screwdriver
Socket Wrench with 3/8" Socket & 3/8" Wrench
13/32" and 39/64" Drill Bits



Warning:

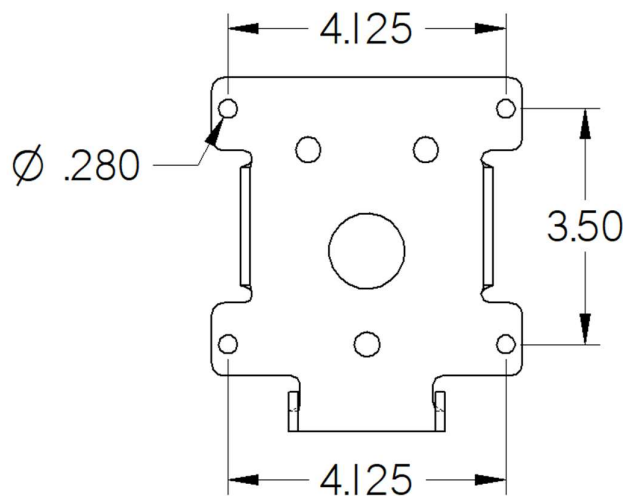
To avoid the risk of fire, explosion, or electric shock, this product shall be installed, inspected, and maintained by a qualified electrician, in accordance with all applicable electrical codes.

Warning:

To avoid electric shock:

- Allow product to cool before servicing.
- Be certain electrical power is OFF before and during installation or maintenance.
- Luminaire must be connected to a wiring system with equipment-grounding conductor.

2. Drill Pattern



Step 1

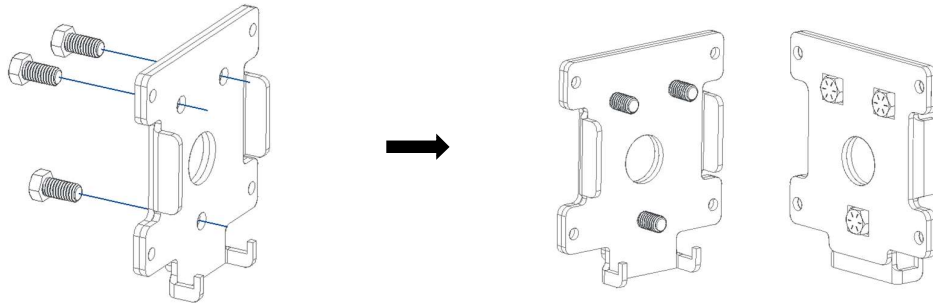
Align mounting plate to desired location and mark mounting locations. Prepare surface (drill, etc) for fasteners (provided by others) appropriate to attach to the surface.

ILP

3. Installation

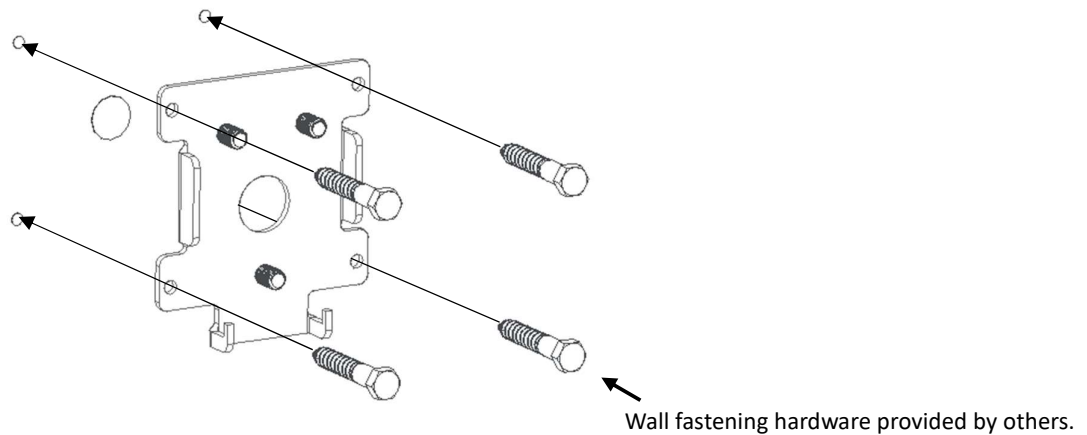
Step 2

Thread (3x) provided screws into the plate in the direction shown in the graphics below.



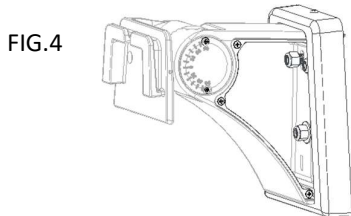
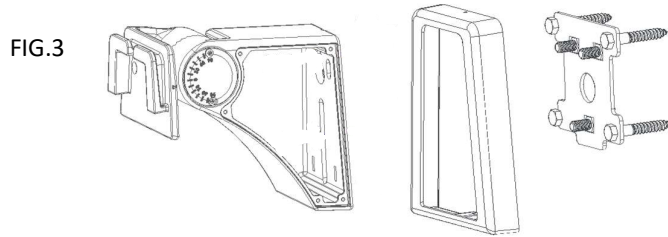
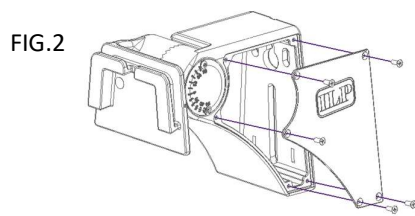
Step 3

With the 3 screws threaded through the washers and mounting plate, install fasteners (not provided) to attach the mounting plate to the surface. **Step 1.**



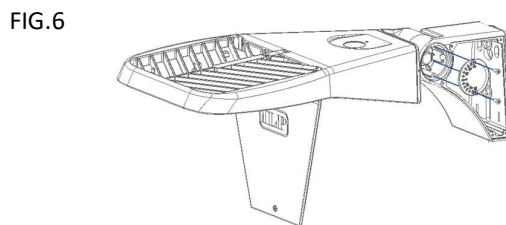
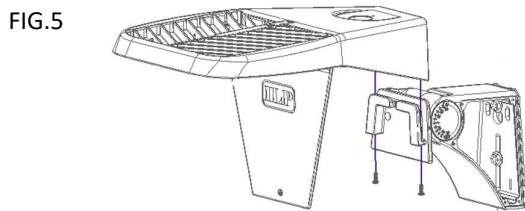
ILP

519 Codisco Way, Sanford, FL 32771
Phone: (407) 478 3759 Fax: (407) 478 3760
www.ilp-inc.com



Step 4

Locate the side bracket cover and remove the (5) screws (FIG.2). With the provided mounting hardware install the WAM mount and bracket cover to the wall (FIG.3, 4). Tighten bolts to 20 ft-lbs (240 in-lbs) Check WAM is fully secure before proceeding (FIG.4).



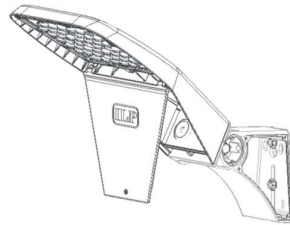
ILP

519 Codisco Way, Sanford, FL 32771
Phone: (407) 478 3759 Fax: (407) 478 3760
www.ilp-inc.com

Step 5

Open the driver door to the Skyline fixture and align with the WAM bracket. Slide the fixture down over the WAM bracket channel so that the fixture and bracket are flush. Attach the (2) provided 8/32" screws through the WAM bracket bottom to secure the Skyline fixture. Tighten screws to 10 ft-lbs (120 in-lbs). (FIG.5) Locate the pivot cover and remove the (2) screws to access the pivot bolt needed to rotate the fixture. (FIG.6)

FIG.7



Step 6

With a 3/8" socket, loosen the pivot nut and rotate fixture to desired angle. Once desired position is achieved, tighten the pivot nut to 15 ft-lbs (180 in-lbs). (FIG.7)

Step 7

Route wires located in driver compartment through supplied grommet and bracket wiring path. Make the necessary wiring connections. (FIG.8) Re-install pivot cover with (2) reused screws. Close driver door and secure driver door with reused 8/32" screw and tighten to 10 ft-lbs (120 in-lbs). Locate the bracket cover over the side of the WAM bracket and secure with the (5) reused screws and tighten to 10 ft-lbs (120 in-lbs). (FIG.9)

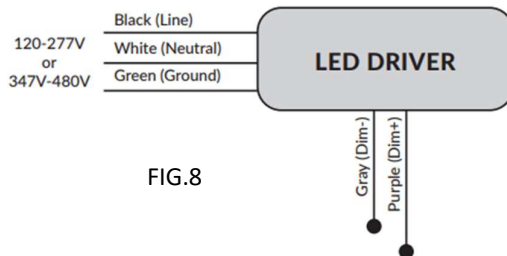
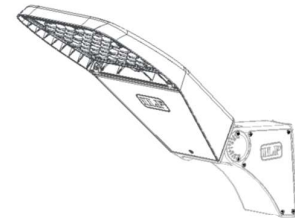


FIG.8

FIG.9



After installation, please

- Ensure the fixture is firmly secured to the pole. Turn the power on and check for proper operation of luminaire.

ILP