



SLIM WALL PACK

LED ADJUSTABLE WALL PACK



407-478-3759
www.ilp-inc.com

FEATURES

- Low profile die-cast aluminum housing
- Bronze polyester powder coat finish (std.)
- Custom and factory select colors available¹
- Isolated optical compartment with tempered glass lens and silicone gaskets
- 90° adjustable Type IV distribution or Optional IDA fixed model²
- Quick mount bracket standard for easy surface mount installation
- Three ½" coin plugs on sides for conduit or electronic photocell
- 120–277V Universal Voltage or 347V–480V High Voltage³
- Achieve code compliance with a fixed down PIR sensor with fully adjustable distribution aiming
- 0–10V Dimmable Driver (std.)
- Deep box 10W CEC Title 20 compliant battery backup & cold weather battery⁴
- Optional Field Adjustable Output device (FAO) allows individual luminaire lumen output control
- 3000K, 4000K & 5000K CCT Selectable via Integral selector
- >70 Color Rendering Index (CRI)
- Calculated L₇₀ >100,000 hrs @ 25°C per TM-21-11
- IP65 Rated Luminaire
- 5 Year Warranty (std); 10 Year Warranty Optional
- ETL Listed for Wet Locations
- DesignLights Consortium® Premium Qualified Luminaire



Small Housing 2L - 3L



Large Housing 5L-10L
Shown with Sensor Box

¹Contact factory for pricing and availability ²Fixed 3000K CCT model only
³347–480V available in 5L, 8L, 10L Lumen Packages Only



*With FAO Option



SUITABLE APPLICATIONS

- Pedestrian Walkways
- Building Entrances
- Multi-use Facilities
- Industrial Facilities
- Parking Lots
- Storage Facilities
- Institutions
- Schools
- Loading Docks

ORDERING GUIDE:

SERIES	LUMENS	DRIVER	CCT	FINISH	WARRANTY
SWP Slim Wall Pack	2L	U 120-277V	CCTS Selectable CCT (5000K, 4000K, 3000K) 30 ³	BRZ Bronze	BLANK 5 Year
	3L	HV ¹ 347-480V		BLK ⁴ Black	10YR ^{7,8} 10 Year
	5L			WHT ⁴ White	
	8L			SLV ⁴ Silver	
	10L				

OPTIONS

Factory Installed		Ship with Accessories	
SP1 ^{2,6}	10kA Max Univolt Surge Protection	SWP-FAO10V	Field Adjustable Output via 0-10V Wires
SP2 ^{2,6}	22kA Max 120–277V Surge Protector	SWP-ARM3-xxx	Pole Mount Arm Kit, 3' long (xxx=BRZ, BLK, WHT, SLV)
IDA ³	Dark Sky IDA Fixture Seal of Approval	SWP-BPS-xxx	18x9 Beauty Plate Kit, Small (xxx=BRZ, BLK, WHT, SLV)
LEDBB ^{1,2}	10W UNIV Battery Backup (32°–100°F)	SWP-BPL-xxx	18x9 Beauty Plate Kit, Large (xxx=BRZ, BLK, WHT, SLV)
LEDBBCT ^{1,2}	20W UNIV CT Battery Backup (-4°–122°F)		
FAO	Field Adjustable Output via 0-10V Wires		
Controls			
PCU ²	Electronic UNIV Photocell (120-277V)		
USBDLx ^{5,9}	Bluetooth User Select Bi-Level Dim Occ. Sensor; (x= Mounting height; 2=8', 3=20')		

¹5L, 8L, 10L Lumen Packages Only

²Not available with HV option

³Fixed to 3000K CCT and no angle adjustability for IDA Compliance. Must choose 30 CCT and IDA option to qualify

⁴Contact Factory for pricing and availability

⁵Does not qualify for DLC

⁶SP1/SP2 specified in combination with battery backups, separate surge protectors are required per electrical line

⁷Contact Factory for more details

⁸Requires additional surge protection (SP1, SP2, SP480V2);

For additional details see general terms and conditions

⁹Requires bluetooth enabled device for programming (provided by others)



QUICK SHIP ITEMS:

SERIES	LUMENS	DRIVER	COLOR	FINISH
SWP Slim Wall Pack	2L	U 120-277V	CCTS Selectable CCT (5000K, 4000K, 3000K)	BRZ Bronze
	3L			
	5L			
	8L			
	10L			



SLIM WALL PACK

LED ADJUSTABLE WALL PACK

LED SYSTEMS INFO ¹	3000K			4000K			5000K			Watts ²	Replaces	DLC Listing
	Part Numbers	Lumens	Efficacy	BUG Rating	Lumens	Efficacy	BUG Rating	Lumens	Efficacy			
SWP-2L-U-CCTS	2,445 lm	121 lm/W	B1-U0-G0	2,649 lm	139 lm/W	B1-U0-G0	2,493 lm	125 lm/W	B1-U0-G0	20 W	100W MH	Premium
SWP-3L-U-CCTS	3,125 lm	133 lm/W	B2-U0-G0	3,310 lm	145 lm/W	B2-U0-G0	3,226 lm	136 lm/W	B2-U0-G0	24 W	150W MH	Premium
SWP-5L-U-CCTS	5,323 lm	133 lm/W	B2-U0-G0	5,674 lm	147 lm/W	B2-U0-G0	5,515 lm	137 lm/W	B2-U0-G0	40 W	175W MH	Premium
SWP-8L-U-CCTS	8,173 lm	137 lm/W	B3-U0-G1	8,678 lm	150 lm/W	B3-U0-G1	8,455 lm	141 lm/W	B3-U0-G1	60 W	250W MH	Premium
SWP-10L-U-CCTS	10,092 lm	135 lm/W	B3-U0-G1	10,581 lm	147 lm/W	B3-U0-G1	10,335 lm	138 lm/W	B3-U0-G1	75 W	320W MH	Premium

¹LED Chips are frequently updated therefore values are nominal
²Electrical data at 25C (77F). Actual wattage may differ by +/-10%.

SPECIFICATIONS

CONSTRUCTION

Slim Wall Pack luminaire features a sleek low-profile die-cast aluminum housing with matching housing styles for both a small and medium size housings. Slim Wall Pack is protected with a durable Bronze polyester powder coat finish to withstand extreme weather changes without cracking or peeling (Consult factory for availability of alternate finishes). The Adjustable head pivots up to 90° to allow for more forward throw illumination (IDA option eliminates the adjustability). Universal quick mount bracket eliminates the need to drill through the luminaire housing ensuring reliable IP65 ingress protection and fast hands-free mounting via hanging mechanism. One-piece silicone gasket seals door and back box.

ELECTRICAL

High-performance driver features over-voltage, under-voltage, short circuit and over temperature protection. 0-10V dimming (10% - 100%) standard. Standard Universal Voltage (120-277 Vac) Input 50/60 Hz or optional High Voltage (347-480 Vac). L70 >100,000 hrs. in accordance of IESNA TM-21-11 Projected values at 25°C Ambient temperature. Total harmonic distortion: <20%. Power factor: >0.90. Input power stays constant over life. Minimum 2.5kV surge rating. Optional Field Adjustable Output (FAO) accessory allows for individual lumen output control with 7 adjustable light levels per lumen package. 10W CEC Title 20 compliant battery backup & cold weather battery option available. 120-277V 10W CEC Title 20 compliant battery backup & cold weather battery options provide 90 minutes of constant power to the LED system, ensuring code compliance.

INSTALLATION

The Slim Wall Pack features a universal quick mount bracket, allowing for effortless installation to standard 3½" to 4" round/octagonal, 4" square, single gang, masonry junction boxes or vertical surface mounting (secured by four lag bolts (supplied by others)). ½" NPT conduit entry points allow for surface-conduit or thru-branch wiring. Back box is an authorized electrical wiring compartment. Fixture leads exit the back of the casting through a poke-in water-tight grommet. Integral CCT selector allows for toolless CCT tuning at installation.

OPTICS

The isolated silicone sealed optical chamber utilizes a proprietary high-reflective white molded baffle. Optical assembly features an impact-resistant tempered glass lens and meets IESNA requirements for full cutoff compliance. Available in five lumen packages and CCT selectable via an integral CCT selector switch (3000K, 4000K, & 5000K). The Adjustable head pivots up to 90° to allow for more forward throw illumination. IDA option is fixed 3000K and does not allow for head pivoting (full-cutoff).

THERMAL

The Slim Wall Pack features an array of High-efficacy mid-power LED's on a metal core circuit board. The LED board is mounted directly to a cast aluminum housing with heat dissipating fins to provide excellent thermal performance extending the life of electronic components. Operating Ambient Temperature: -40°C to +40°C (-40°F to 104°F) Operating temperature for standard battery backup: 0°C to +50°C (+32°F to +122°F), Cold Weather battery backup: -20°C to +50°C (-4°F to +122°F).

CONTROLS

Three ½" NPT apertures allow for field or factory installed 120-277V universal electronic photocell. Optional PIR sensors available installed in added sensor housing (see page 3 for more details). Sensors provide optional on/off control, photocell capability, bi-level dimming, and bluetooth configuration allows for on-site modifications. (See page 4 for more information)

CERTIFICATIONS

UL Listed for wet locations. Tested in accordance with IESNA LM-79 and LM-80 standards.

WARRANTY

5 Year Warranty Standard; 10 Year Warranty Optional ([Terms and Conditions apply](#)).



SLIM WALL PACK

LED ADJUSTABLE WALL PACK

ADDITIONAL FEATURES & OPTIONS

Quick Mount Bracket



90° Adjustable Type IV Distribution



Optional Beauty Plate



Optional Battery Pack



CONTROLS OPTIONS



USB D

Optional Bluetooth Programmable PIR sensor allows for Continuous Dimming, Motion and/or daylight harvesting, Fully adjustable high/low dimmed light levels, and Adjustable time delay/cutoff delay. The sensor is programmed via a free iOS® or Android® Sensor Configuration App (compatible device provided by others). Available in 8' or 20' mounting lenses. See coverage patterns below.

- Default settings:
- High Mode: 100% Output
- Low Mode: 10% Output
- Time Delay: 5 mins
- Cutoff: 1 hr
- Sensitivity: High
- Photocell: Disabled
- Continuous Dimming: Disabled

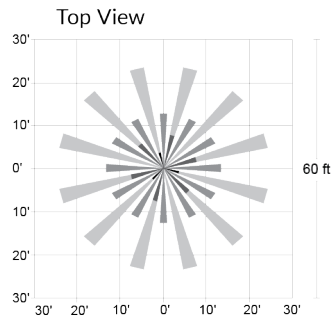


PCU

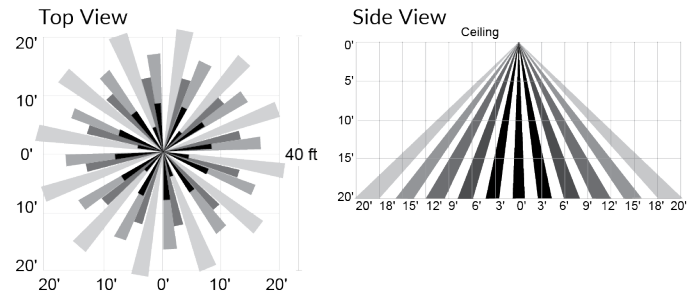
Three 1/2" apertures allow for field or factory installed 120-277V universal electronic pencil photocell.

COVERAGE PATTERN

USB D/L2



USB D/L3



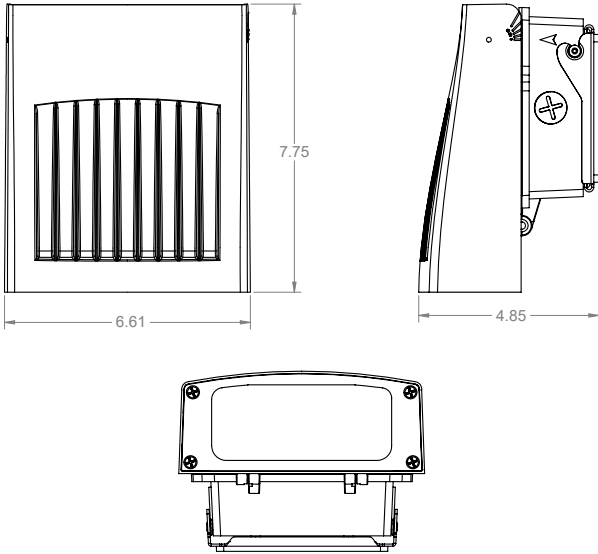


SLIM WALL PACK

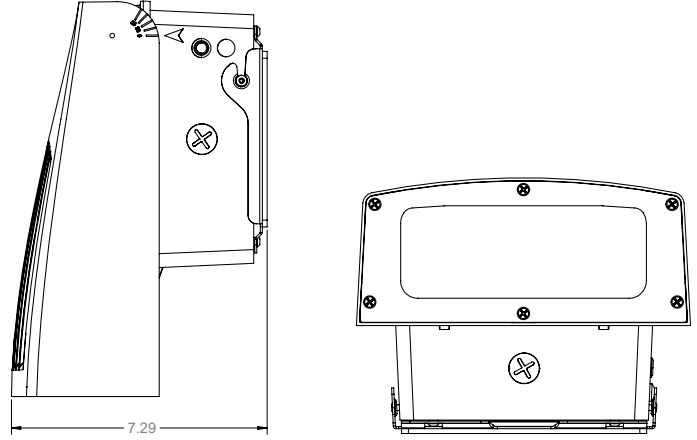
LED ADJUSTABLE WALL PACK

LINE DRAWINGS

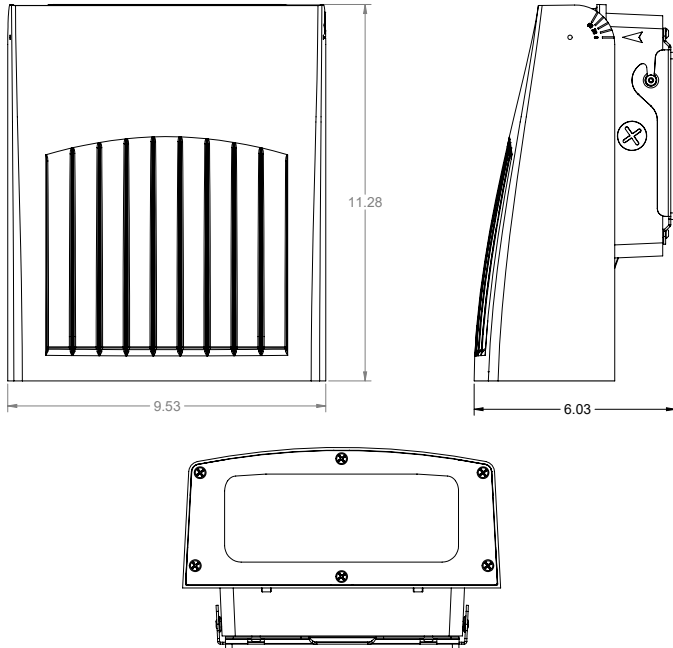
2L & 3L Small Housing



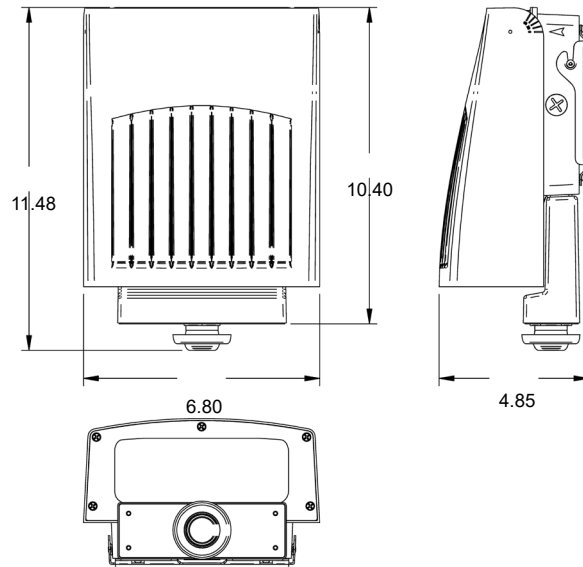
Large with Deep Box Cold Temp Battery Backup



5L, 8L & 10L Large Housing



Large with Sensor Box



Small with Sensor Box

