

Project Name:

Part Number:

Type:

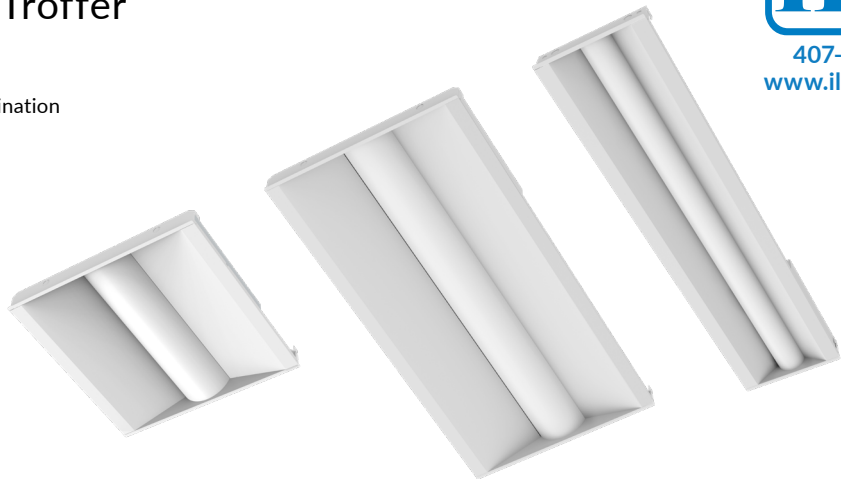
**VAT**

Volumetric Adjustable Troffer

407-478-3759
www.ilp-inc.com

FEATURES

- Highly Versatile Volumetric Center Basket Troffer
- Matte White Post Paint Finish for Uniform Indirect Illumination
- High Transmission PMMA Frosted Polycarbonate Lens
- 1x4, 2x2 & 2x4 Sizes
- Recessed, Surface & Flange Mount Options
- Field Selectable or Factory Set Lumen Output
 - 2,500 to 7,500 Lumen Range
- Field Selectable or Factory Set CCT
 - 3000K, 3500K & 4000K CCT
- Enlarged Driver Box for Easy Installation
- Advanced Wireless Controls Options
 - Fixture maintains CCT Selectable Function
- High Efficacy—Up to 148 lm/W
- >80 Color Rendering Index (CRI)
- Calculated L70 > 100,000 Hrs
- 120-277V Universal Dimming Driver (100%-10%)
- 5 Year Warranty
- ETL Listed
- DesignLights Consortium® Premium Qualified Luminaire



SUITABLE APPLICATIONS

- Education
- Healthcare
- Commercial Office
- Storage Facility
- Retail
- Grocery Store

ORDERING GUIDE:

SERIES	LUMENS (select one)	DRIVER	CCT
VAT14 1x4 Volumetric Troffer	25L/32L/38L - Lumen Selectable 25L 32L 38L	U 120-277V	CCTS - CCT Selectable 30K - 35K - 40K 40 35 30
VAT22 2x2 Volumetric Troffer	25L/31L/36L - Lumen Selectable 25L 31L 36L		
VAT24 2x4 Volumetric Troffer	43L/48L/54L - Lumen Selectable 43L 48L 54L 60L/64L/70L - Lumen Selectable 60L 64L 70L		

OPTIONS		CONTROLS	
Factory Installed		Advanced	
SR ⁹	Sensor Ready Driver	ES ^{4,5,7,9}	EasySense Grouping Sensor
BLD ^{6,9}	Bi-Level Dimming Driver (100% / 50%) w/ two hot leads	5E/2W/IL ^{3,4,7,9}	Enlighted 5E Two Wire Individual Lighting (IL) Sensor
FI/ILBCP05	5W LED Factory Installed Battery Backup	5E/2W/CL ^{3,4,7,9}	Enlighted 5E Two Wire Connected Lighting (CL) Sensor
FI/ILBCP05/HE ¹	5W LED Factory Installed Battery Backup	5E/2W/IOT ^{3,4,7,9}	Enlighted 5E Two Wire IOT Lighting (IOT) Sensor
FI/ILBCP07	7W LED Factory Installed Battery Backup	VDO ^{3,4,7,9}	Lutron VIVE DFCSJ-OEM-OCC Daylight & Occupancy Sensor
FI/ILBCP07/HE ¹	7W LED Factory Installed Battery Backup	VRF ^{3,4,7,9}	Lutron VIVE DFCSJ-OEM-RF Radio Frequency Only
FI/ILBCP10	10W LED Factory Installed Battery Backup		
FI/ILBCP10/HE ¹	10W LED Factory Installed Battery Backup		
FI/ILBCP12	12W LED Factory Installed Battery Backup		
SD347 ²	347V Step Down Transformer		
WHIP/6FT	6FT MC Cable w/ 3 leads attached to power (non-dimming)		
WHIP/6FT/4WIRE	6FT MC Cable w/ 3 leads to power & 1 lead for battery backup (non-dimming)		
WHIP/6FT/5WIRE	6FT MC Cable w/ 3 leads to power & 2 leads to dimming		
WHIP/6FT/6WIRE	6FT MC Cable w/ 3 leads to power & 2 leads to dimming & 1 to battery backup		
Ship With Accessories			
ES/PCD ⁸	EasySense Pre-Programmed Control Device		
ES/WWS/DR	EasySense Dual Rocker Wireless Wall Switch		
SM	Surface Mount Kit		
FLGK	Flange Mount Kit		

¹CEC Title 20 Compliant²Does not qualify for DLC³Must be used with SR Sensor Ready Driver⁴Must be used with ES/PCD for commissioning⁵View controls page for more detail (pg. 3)⁶120V Applications Only⁷Fixture maintains CCT selectable function, if CCTS is selected in ordering guide⁸One needed per project⁹Not available with lumen selectable configuration



Volumetric Adjustable Troffer



QUICK SHIP ITEMS:

SERIES	LUMENS (select one)	DRIVER	CCT
VAT14 1x4 Volumetric Troffer	25L/32L/38L - Lumen Selectable	U 120-277V	CCTS - CCT Selectable 30K - 35K - 40K
VAT22 2x2 Volumetric Troffer	25L/31L/36L - Lumen Selectable		
VAT24 2x4 Volumetric Troffer	43L/48L/54L - Lumen Selectable 60L/64L/70L - Lumen Selectable		

LED SYSTEMS INFO ¹	3000K		3500K		4000K		Watts ²	CRI	DLC Listing	Ambient Temp. Range	Replaces
	Part Numbers	Lumens	Efficacy	Lumens	Efficacy	Lumens					
VAT14-25L-U-XX	2,701 lm	138 lm/W	2,855 lm	146 lm/W	2,768 lm	141 lm/W	20W	>80	Premium	-4°F - 122°F	1T8
VAT14-32L-U-XX	3,323 lm	135 lm/W	3,512 lm	143 lm/W	3,406 lm	138 lm/W	25W				2T8
VAT14-38L-U-XX	3,846 lm	132 lm/W	4,062 lm	142 lm/W	3,942 lm	136 lm/W	29W				2T8
VAT22-25L-U-XX	2,659 lm	137 lm/W	2,863 lm	148 lm/W	2,738 lm	142 lm/W	19W	>80	Premium	-4°F - 122°F	2T8
VAT22-31L-U-XX	3,258 lm	135 lm/W	3,508 lm	145 lm/W	3,355 lm	139 lm/W	24W				2T8
VAT22-36L-U-XX	3,760 lm	131 lm/W	4,049 lm	141 lm/W	3,876 lm	135 lm/W	29W				3T8
VAT24-43L-U-XX	4,609 lm	139 lm/W	4,888 lm	147 lm/W	4,755 lm	143 lm/W	33W	>80	Premium	-4°F - 122°F	2T8
VAT24-48L-U-XX	5,144 lm	136 lm/W	5,457 lm	144 lm/W	5,308 lm	140 lm/W	38W				3T8
VAT24-54L-U-XX	5,826 lm	131 lm/W	6,173 lm	144 lm/W	6,014 lm	137 lm/W	43W				3T8
VAT24-60L-U-XX	6,315 lm	137 lm/W	6,698 lm	145 lm/W	6,512 lm	141 lm/W	46W				4T8
VAT24-64L-U-XX	6,686 lm	135 lm/W	7,092 lm	143 lm/W	6,895 lm	139 lm/W	50W				2T5
VAT24-70L-U-XX	7,323 lm	131 lm/W	7,759 lm	145 lm/W	7,555 lm	136 lm/W	56W				2T5

¹Values are nominal, see IES file for more detail
²Electrical data at 25C (77F). Actual wattage may differ by +/-10%

SPECIFICATIONS

CONSTRUCTION

Steel housing white finish body for rigidity, durability and ease of installation. Matte white post paint finish for uniform indirect illumination. Designed to achieve maximum performance and improved aesthetics.

ELECTRICAL

Class 2 LED light engine for high efficacy and long life. Calculated L70 > 100,000 hrs. LED Lumen Maintenance Estimates based on TM-21 projections for the light source at 25°C ambient. Power Factor > 0.90. Standard 120-277 Vac 0-10V dimmable (10%-100%) with optional 347 Vac step down transformer. Optional emergency battery backups available to meet critical life safety lighting requirements. Lumen and CCT Selectable fixtures allow for ease of adjustment with switches located on top side of driver. Lumen Selectable fixtures ship at the highest lumen output. CCT Selectable fixtures ship at 3000K.

INSTALLATION

VAT fits into standard 15/16" & 16/16" T-grid ceiling. Optional Flange Kit (FLGK) for recessed drywall mounting & Surface Mount (SM) to ceiling mount options available. Access plate installed on top of fixture for easy hardwire power connections. Optional factory installed power flex conduit whip (WHIP) available to reduce electrical installation time.

OPTICS

Standard high transmission PMMA frosted polycarbonate lens. Field removeable lens for easy access to LED boards, drivers and maintenance.

CONTROLS

Factory installed advanced sensor options available. Sensor mounts within the body of the fixture, see controls page for more detail (pg.3). Fixture maintains CCT selectable function when adding factory installed controls option, if CCTS is selected in ordering guide. Inquire with manufacturer for more controls options, including customer supplied items.

CERTIFICATIONS

ETL listed to US and Canadian safety standards. Suitable for insulation contact with Type IC rated. Suitable for damp locations. Title 24 Compliant with sensor option; see local ordinance for qualification information. DLC (DesignLights Consortium) Premium Qualified. Please refer to the DLC Qualified Products List at www.Designlights.org/QPL to confirm specific product qualifications.

WARRANTY

5 Year Warranty (Terms and Conditions apply)

ADVANCED CONTROLS OPTIONS

EASYSENSE

ES

EasySense sensor combines occupancy sensing, daylight harvesting & institutional tuning in one compact solution. This is an ideal control for any commercial application. Each sensor allows you to turn on/off occupancy and/or daylight harvesting functions as well as set the full light output, background light level, occupancy prolong time, occupancy grace fading time and occupancy time out/hold time. Requires the use of EasySense Pre-Programmed Control Device (ES/PCD), or approved phone from compatibility list; one needed per project.



ES/PCD

Pre-Programmed EasySense Control Device. One needed per project. Sensor can also be programmed with the approved compatible cell phone (listed below).

Compatible Cell Phones:

- LG G4
- Samsung S5
- Samsung Note 4
- Samsung S4 Mini
- Samsung S6
- Samsung Note Edge 1
- Samsung S4

ES/WWS/DR

Optional Wireless / Batteryless Dual Rocker Wall Switch. Up to 100ft range. Functions include: On/Off, dimming and setting of (2) scenes for full room control.

Specifications:

- Wireless
- ZigBee®
- Batteryless
- 30-100ft Range
- Dual Rocker

Functions:

1. On (Hold to brighten up)
2. Off (Hold to dim down)
3. Scene 1
4. Scene 2



ENLIGHTED

5E/2W/IL

Bundled System with Enlighted 5E sensor (SU-5E-IL), Cable (CBL-5E-CU4-30N) and Sensor Ready SR Driver. Fixtures are controlled based on occupancy and ambient light. Includes ability to group fixtures together and connect to a switch to zone fixtures for group operation. Provided with factory installed components only. Enlighted system not required for commissioning. Contact factory for more information. Fixture maintains CCT selectable function when adding factory installed controls option, if CCTS is selected in ordering guide.



5E/2W/CL

Bundled System with Enlighted 5E sensor (SU-5E-CL), Cable (CBL-5E-CU4-30N) and Sensor Ready SR Driver. Fixtures are controlled based on occupancy and ambient light. Includes individual lighting control plus connection to Enlighted Energy Manager. The Energy Manager provides data analysis for all data collected by the Enlighted Smart Sensors for energy, occupancy and environment. Provided with factory installed components only. Enlighted system provided by others. Contact factory for more information. Fixture maintains CCT selectable function when adding factory installed controls option, if CCTS is selected in ordering guide.

5E/2W/IOT

Bundled System with Enlighted 5E sensor (SU-5E-IOT), Cable (CBL-5E-CU4-30N) and Sensor Ready SR Driver. Fixtures are controlled based on occupancy and ambient light. Includes individual lighting control plus connection to Enlighted Energy Manager. Energy Manager provides data analysis for all data collected by Enlighted Smart Sensors for energy, occupancy & environment. Additionally, the IOT functionality takes the data access and function beyond just lighting to a wide range of applications beyond the standard connected lighting controls. Provided with factory installed components only. Enlighted system provided by others. Contact factory for more information. Fixture maintains CCT selectable function when adding factory installed controls option, if CCTS is selected in ordering guide.

LUTRON

VDO

Vive DFCSJ-OEM-OCC integral fixture control sensor with daylight & occupancy. Vive provides intuitive programming allowing for maximum flexibility with wireless communication & sensing as desired. Provided with factory installed components only. Lutron system provided by others. Sensor must be used in conjunction with Pico Switch/Dimmer. Cannot be used in conjunction with mechanical on/off power switch. Contact factory for more information.



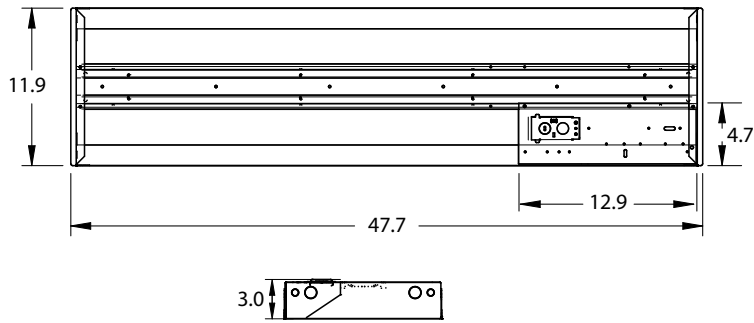
VRF

Vive DFCSJ-OEM-RF integral fixture control with Radio Frequency (RF) communication. Vive provides intuitive programming allowing for maximum flexibility with wireless communication as desired. Providing with factory installed components only. Lutron system provided by others. Sensor must be used in conjunction with Pico Switch/Dimmer. Cannot be used in conjunction with mechanical on/off power switch. Contact factory for more information.

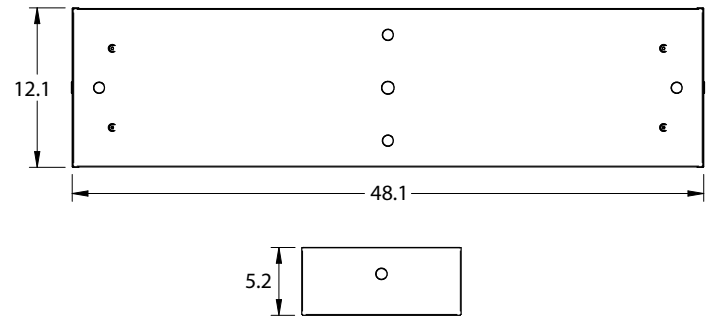


LINE DRAWINGS

1x4 Dimensions

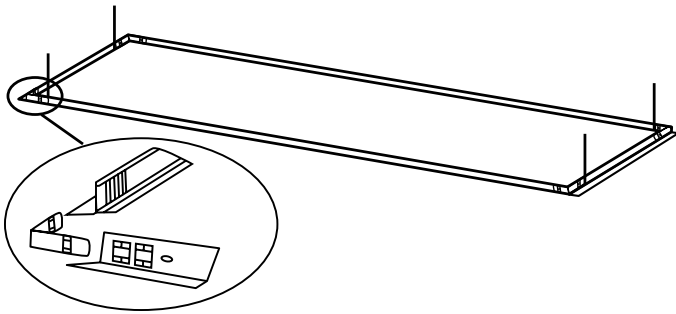


1x4 Surface Mount Dimensions

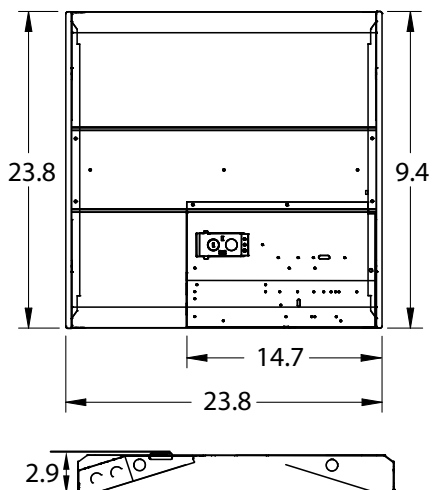


1x4 Flange Kit

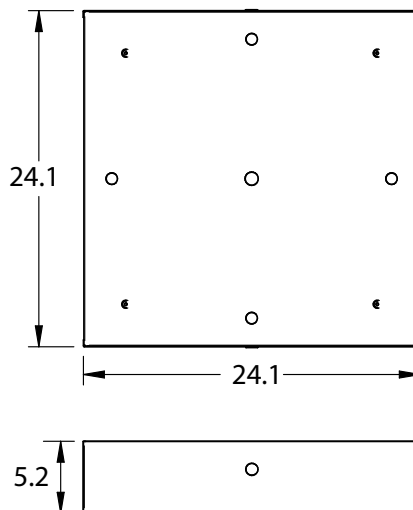
Ceiling opening is 12.25" x 48.25"



2x2 Dimensions

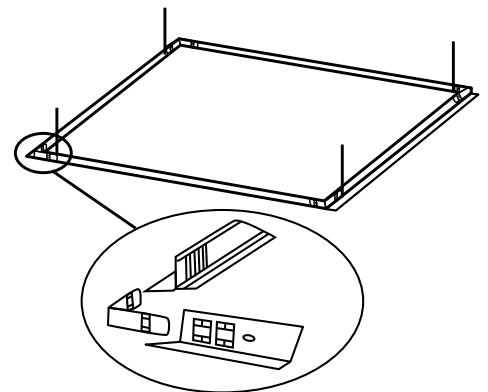


2x2 Surface Mount Dimensions



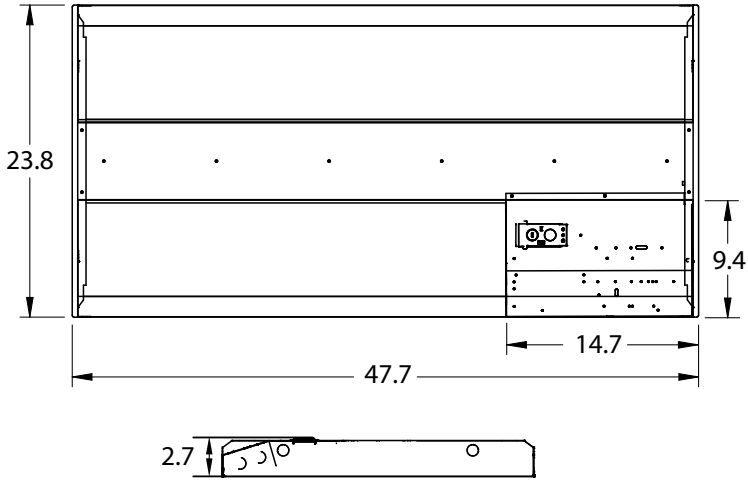
2x2 Flange Kit

Ceiling opening is 24.25" x 24.25"

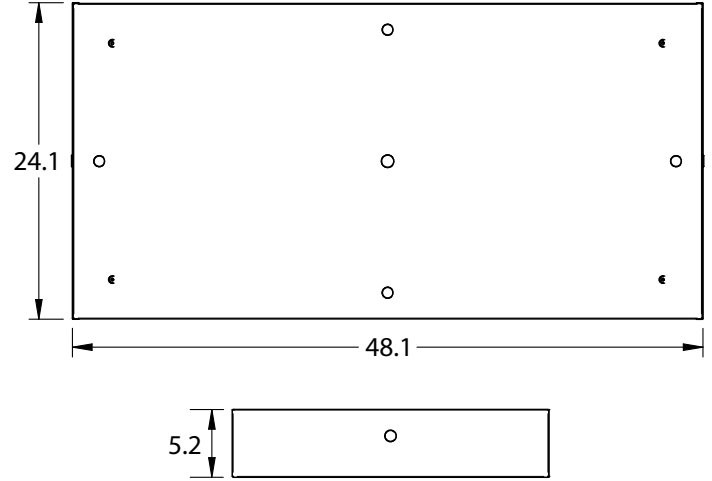


LINE DRAWINGS

2x4 Dimensions

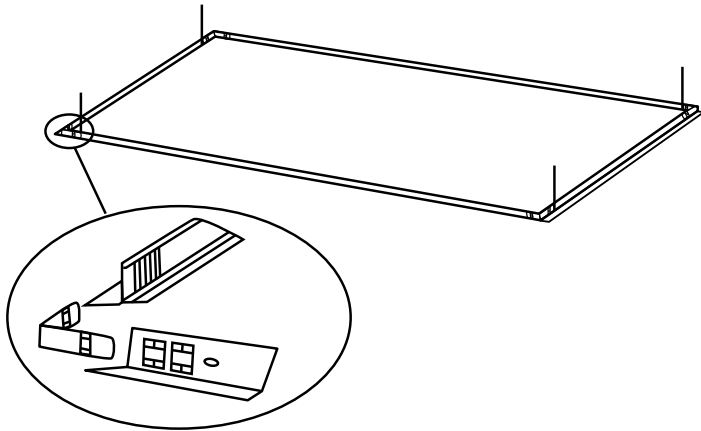


2x4 Surface Mount Dimensions



2x4 Flange Kit

Ceiling opening is 24.25" x 48.25"

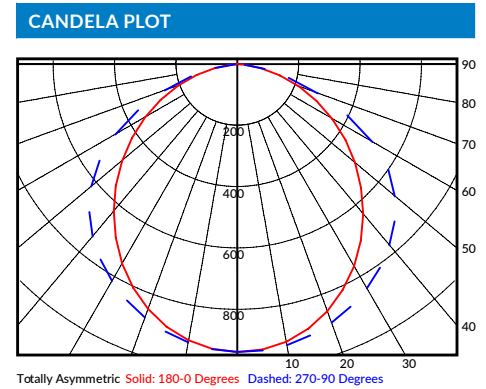


Volumetric Adjustable Troffer

PHOTOMETRIC DATA

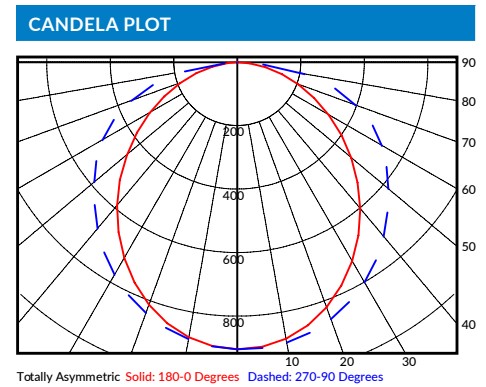
LUMINAIRE DATA	
Part Number	VAT14-25L-U-40
Description	1x4 Volumetric Adjustable Troffer, 2,768 Lumens, 4000K
Fixture Lumens (lm)	2,768 lm
Wattage (W)	20 W
Efficacy (lm/W)	141 lm/W
Mounting	Recessed

ZONAL LUMEN SUMMARY		
Zone	Lumens (lm)	% Fixture
0° - 40°	1,194	44%
0° - 60°	2,135	79%
0° - 90°	2,698	100%
90° - 180°	0	0%
0° - 180°	2,768	100%



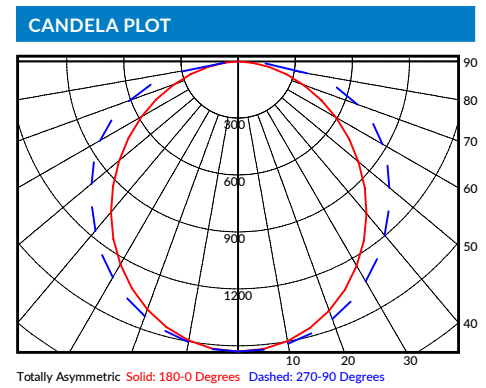
LUMINAIRE DATA	
Part Number	VAT22-25L-U-40
Description	2x2 Volumetric Adjustable Troffer, 2,738 Lumens, 4000K
Fixture Lumens (lm)	2,738 lm
Wattage (W)	19 W
Efficacy (lm/W)	142 lm/W
Mounting	Recessed

ZONAL LUMEN SUMMARY		
Zone	Lumens (lm)	% Fixture
0° - 40°	1,136	43%
0° - 60°	2,011	76%
0° - 90°	2,656	100%
90° - 180°	0	0%
0° - 180°	2,738	100%



LUMINAIRE DATA	
Part Number	VAT24-43L-U-40
Description	2x4 Volumetric Adjustable Troffer, 4,755 Lumens, 4000K
Fixture Lumens (lm)	4,755 lm
Wattage (W)	33 W
Efficacy (lm/W)	143 lm/W
Mounting	Recessed

ZONAL LUMEN SUMMARY		
Zone	Lumens (lm)	% Fixture
0° - 40°	1,936	42%
0° - 60°	3,451	75%
0° - 90°	4,605	100%
90° - 180°	0	0%
0° - 180°	4,755	100%



LUMINAIRE DATA	
Part Number	VAT24-60L-U-40
Description	2x4 Volumetric Adjustable Troffer, 6,512 Lumens, 4000K
Fixture Lumens (lm)	6,512 lm
Wattage (W)	46 W
Efficacy (lm/W)	141 lm/W
Mounting	Recessed

ZONAL LUMEN SUMMARY		
Zone	Lumens (lm)	% Fixture
0° - 40°	2,638	42%
0° - 60°	4,712	75%
0° - 90°	6,309	100%
90° - 180°	0	0%
0° - 180°	6,512	100%

