

Project Name:	Part Number:	Type:
---------------	--------------	-------

# FULL CUTOFF WALL PACK

## OUTDOOR WALL MOUNT



407-478-3759  
www.ilp-inc.com

### FEATURES

- Architectural die-cast aluminum housing
- Factory Select Finishes: Bronze (BRZ), Black (BLK), Silver (SLV) & White (WHT)
- Custom colors finishes available
- Hinged full cutoff front frame for easy access to driver compartment
- Three ½" coin plugs on sides for conduit or electronic photocell
- Multiple optical distributions available: Type II, III, & IV
- Cast-in template for mounting directly over a 4" recessed outlet box
- 3000K, 4000K and 5000K CCT
- Bluetooth Programmable PIR Occupancy, Photocell, & Bi-Level Dimming Sensors Available
- 0-10V Dimmable Driver
- Dark Sky Compliant, 3000K is IDA Listed
- 120-277V Universal Voltage or 347-480V High Voltage
- Calculated L70>100,000 hrs @ 25oC per TM-21-11
- 5 Year Warranty (std); 10 Year Warranty Optional
- ETL Listed for Wet Location with IP66 Rated Optical Chamber
- DesignLights Consortium® Premium Qualified Luminaire



### SUITABLE APPLICATIONS

- Parking Lots
- Loading Dock Areas
- Exterior Wall Lighting
- Building Entrance Ways

### ORDERING GUIDE:

SERIES	LUMENS	DRIVER	CCT	OPTIC	FINISH	WARRANTY
WPCS Full Cutoff Wall Pack	3L	U 120-277V	50	T2	BLANK Bronze	BLANK 5 Year
	4L	HV 347-480V <sup>4,7</sup>	40	T3	BLK Black	10YR <sup>8,9</sup> 10 Year
	6L	DD Dual Driver <sup>3</sup>	30	T4	SLV Silver	
WPCM Full Cutoff Wall Pack	3L				WHT White	
	4L				CC Custom Color	
	6L					
	8L					
	12L					

OPTIONS		CONTROLS	
Factory Installed		BASIC - Factory Installed	
SP1 <sup>2,5</sup>	10KA Max Univolt Surge Protector	FSP-311/LX <sup>3,6</sup>	Legrand FSP-311 120-277V Sensor (X = Mounting Height 3=10-20', 7=20-40')
SP2 <sup>2,5</sup>	22KA Max Univolt Surge Protector	ZLD1Z <sup>3,6</sup>	Leviton ZLD1Z 120-277V Bluetooth Groupable Sensor (16 Devices) with 8-20' & 20-40' lens included
SP480V2	20kA Max 347-480V Surge Protector		
FUSE/SXXX	Single-line Voltage Fuse (120, 277 or 347V)		
FUSE/DXXX	Dual-line Voltage Fuse (208, 240 or 480V)		
SMLxxxx	Specified Lumen Output (xxxx = lumen output)		
EM5 <sup>2</sup>	5W LED Battery Backup (32°F-104°F)		
EM5/HE <sup>2,3</sup>	5W 120-277V LED High Efficacy CEC Title 20 Battery Backup (32°F-104°F)		
EM7 <sup>2,3</sup>	7W LED Battery Backup (32°F-104°F)		
EM7/HE <sup>2,3</sup>	7W 120-277V LED High Efficacy CEC Title 20 Battery Backup (32°F-104°F)		
EM10 <sup>2</sup>	10W LED CEC Title 20 Battery Backup (32°F-104°F)		
EM10/HE <sup>2,3</sup>	10W 120-277V LED High Efficacy CEC Title 20 Battery Backup (32°F-104°F)		
EM12 <sup>2,3</sup>	12W LED Battery Backup (32°F-104°F)		
LEDBBCT7 <sup>2</sup>	7W LED CEC Title 20 Battery Backup (-4°F-104°F)		
LEDBBCT <sup>2</sup>	14W LED CEC Title 20 Battery Backup (-4°F-104°F)		
Ship with Accessories		Ship with Accessories	
WPC15WG <sup>10</sup>	Wire Guard (WPCS) Not available with Glare Shield	PCU <sup>2</sup>	Electronic UNIV Photocell (120-277V)
WPC25WG <sup>3</sup>	Wire Guard (Not available with Glare Shield)		
GSWPCS <sup>10</sup>	3-Sided Glare Shield (WPCS)		
GSWPCM <sup>3</sup>	3-Sided Glare Shield (WPCM)		

<sup>1</sup> Does not qualify for DLC

<sup>2</sup> Not available with HV option

<sup>3</sup> WPCM Only

<sup>4</sup> Not compatible with 3L Model

<sup>5</sup> SP1/SP2 specified in combination w/ battery backups, separate surge protectors are required per electrical line

<sup>6</sup> Requires bluetooth enabled device for programming (provided by others)

<sup>7</sup> Not available with FSP-311 or ZLD1Z

<sup>8</sup> Contact Factory for more details

<sup>9</sup> Requires additional surge protection (SP1,SP2, SP480V2);

For additional details see general terms and conditions

<sup>10</sup> WPCS Only

# FULL CUTOFF WALL PACK

## OUTDOOR WALL MOUNT

LED SYSTEMS INFO <sup>1</sup>		3000K		4000K		5000K		BUG Rating	Watts <sup>2</sup>
Part Numbers	Distribution	Lumens	Efficacy	Lumens	Efficacy	Lumens	Efficacy		
WPCS-3L	T2	3466	156	3282	149	3433	156	B1-U0-G1	22
	T3	3448	155	3263	148	3413	155	B1-U0-G1	
	T4	3322	149	3203	146	3350	152	B1-U0-G1	
WPCS-4L	T2	4521	146	4367	142	4566	149	B2-U0-G2	31
	T3	4494	145	4340	141	4537	148	B1-U0-G1	
	T4	4412	142	4261	139	4457	145	B1-U0-G1	
WPCS-6L	T2	6039	139	5890	131	6161	137	B2-U0-G2	45
	T3	6002	138	5855	130	6124	136	B2-U0-G2	
	T4	5893	135	5748	128	6012	134	B1-U0-G2	
WPCM-3L	T2	3557	167	3456	162	3615	169	B1-U0-G1	21
	T3	3536	166	3435	161	3593	168	B1-U0-G1	
	T4	3471	163	3373	158	3528	165	B1-U0-G1	
WPCM-4L	T2	4414	167	4148	159	4339	166	B1-U0-G1	26
	T3	4387	166	4123	158	4312	165	B1-U0-G1	
	T4	4307	163	4047	155	4234	162	B1-U0-G1	
WPCM-6L	T2	6018	153	5994	151	6270	158	B2-U0-G2	40
	T3	5981	152	5958	150	6232	157	B2-U0-G2	
	T4	5872	149	5849	148	6118	154	B1-U0-G2	
WPCM-8L	T2	8220	144	8166	143	8542	150	B2-U0-G2	57
	T3	8171	143	8117	142	8490	149	B2-U0-G2	
	T4	8021	141	7969	140	8335	146	B2-U0-G2	
WPCM-12L	T2	12554	144	11571	133	12103	139	B3-U0-G3	87
	T3	12478	143	11501	133	12030	139	B2-U0-G2	
	T4	12250	140	11291	130	11810	136	B2-U0-G2	

<sup>1</sup>LED Chips are frequently updated therefore values are nominal    <sup>2</sup>Electrical data at 25C (77F). Actual wattage may differ by +/-10%

## ELECTRICAL DATA (AMPS)\*

Lumen Package	Wattage	120V	208V	240V	277V	347V	480V
WPCS-3L	22	0.18	0.11	0.09	0.08	N/A	N/A
WPCS-4L	31	0.26	0.15	0.13	0.11	0.09	0.06
WPCS-6L	45	0.38	0.22	0.19	0.16	0.13	0.09
WPCM-3L	21	0.18	0.10	0.09	0.08	N/A	N/A
WPCM-4L	26	0.22	0.13	0.11	0.09	0.07	0.05
WPCM-6L	40	0.33	0.19	0.17	0.14	0.12	0.08
WPCM-8L	57	0.48	0.27	0.24	0.21	0.16	0.12
WPCM-12L	87	0.73	0.42	0.36	0.31	0.25	0.18

\*Electrical data at 25C (77F). Actual wattage may differ by +/-10%

# FULL CUTOFF WALL PACK

## OUTDOOR WALL MOUNT

### SPECIFICATIONS

#### CONSTRUCTION

The Full Cutoff Wall Pack series features both a small and medium scale, manufactured in an architectural die-cast aluminum construction. The WPC is protected with a durable Bronze polyester powder coat finish to withstand extreme weather changes without cracking or peeling with optional wet paint Black, White, and Silver finishes (Consult factory for availability of alternate finishes). The recessed LED source allows for a full cutoff designation with no uplight and complies with IDA in 3000K CCT. The fully gasketed housing is wet location rated with the optical chamber meeting an IP66 rating for ingress protection against moisture and environmental contaminants. One-piece silicone gasket seals door and back box. Salt Spray tested for 500 hrs.

#### ELECTRICAL

High-performance driver features over-voltage, under-voltage, short circuit and over temperature protection. 0-10V dimming (10% - 100%) standard. Standard Universal Voltage (120-277 Vac) Input 50/60 Hz or optional High Voltage (347-480 Vac). L70 >100,000 hrs. in accordance of IESNA TM-21-11 Projected values at 25°C Ambient temperature. Total harmonic distortion: 0.90. Input power stays constant over life. Minimum 4kV surge rating, Additional protection is available in 10kV and 20kV options. Optional 120-277V battery backup & cold weather battery options provide 90 minutes of constant power to the LED system, ensuring code compliance. Select models CEC title 20 Compliant, see ordering guide.

#### INSTALLATION

The WPC Wall Pack is designed for effortless installation to standard 3-1/2" to 4" round/octagonal, 4" square, single gang, masonry junction boxes or vertical surface mounting (secured by lag bolts (supplied by others)). 1/2" NPT conduit entry points allow for surface conduit or thru-branch wiring. Back box is an authorized electrical wiring compartment.

#### OPTICS

The isolated IP66 rated silicone gasket sealed optical chamber utilizes impact resistant and UV stabilized polycarbonate optics to provide exceptional coverage in IES types T2, T3, T4 distributions. Available in 3000K, 4000K, & 5000K color temperatures per ANSI C78.377. Minimum CRI of 70. The WPC Series produces Zero uplight and is IDA listed in 3000K color temperature.

#### THERMAL

The WPC Series features an array of High-efficacy LED's mounted on a metal core circuit board. The LED boards are mounted directly to the cast aluminum housing with heat dissipating fins to provide excellent thermal performance extending the life of electronic components. Operating Ambient Temperature: -40°C to +50°C (-40°F to 122°F). Operating temperature for standard battery backup: 0°C to +45°C (+32°F to +113°F), Cold Weather battery backup: -20°C to +45°C (-4°F to +113°F).

#### CONTROLS

Standalone Controls:

Three 1/2" NPT apertures allow for field or factory installed 120-277V universal electronic photocell. Optional PIR sensors available installed in the rear housing. Sensors provide optional on/off control, photocell capability, bi-level dimming, high-end trim, and bluetooth configuration allows for on-site modifications. See page x for more details.

Wireless Control Systems:

The WPC Series is wireless mesh controls ready with Synapse wireless control platform. Available with and without PIR sensors. Inquire with factory for more information or for additional controls options, including customer supplied items.

#### CERTIFICATIONS

ETL Listed for wet locations. IP66 Rated Optical Chamber per IEC 60598. Tested in accordance with IESNA LM-79 and LM-80 standards. BAA compliant. RoHS Compliant. Title 24 Compliant; see local ordinance for qualification information.

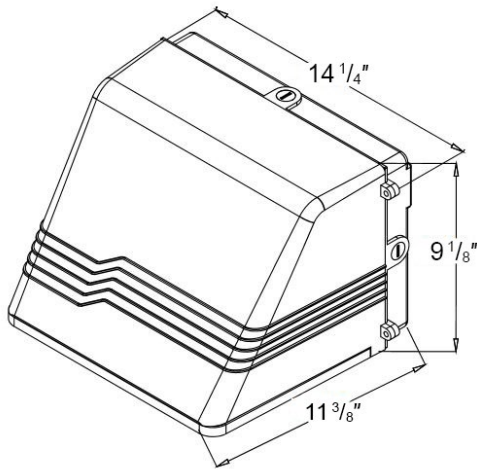
#### WARRANTY

5 Year Warranty Standard; 10 Year Warranty Optional (Terms and Conditions apply).

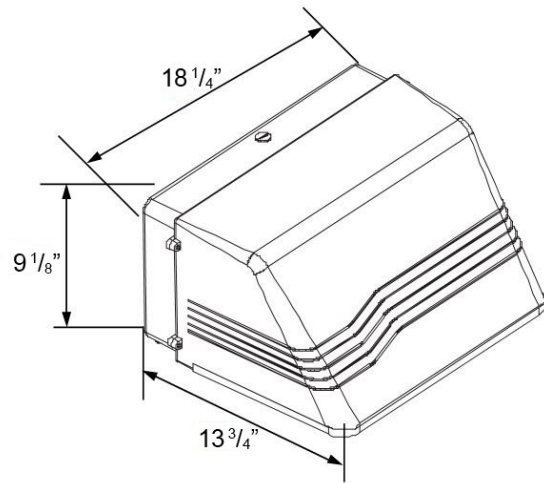
# FULL CUTOFF WALL PACK

## OUTDOOR WALL MOUNT

### LINE DRAWING



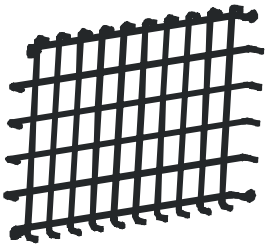
WPCS



WPCM

### SECURITY OPTIONS

WPCxxWG - Wire Guard,SS Construction



# FULL CUTOFF WALL PACK

## OUTDOOR WALL MOUNT

### CONTROL OPTIONS

#### BASIC CONTROLS



\*Housing shown without geometric lines that are not removable

#### FSP-311

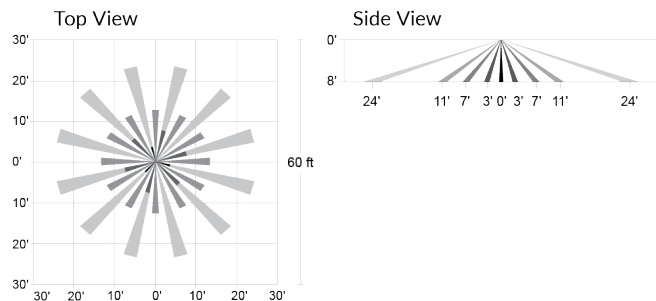
Optional Bluetooth Programmable PIR sensor allows for Continuous Dimming, Motion and/ or daylight harvesting, Fully adjustable high/low dimmed light levels, and Adjustable time delay/ cutoff delay. The sensor is programmed via a free iOS® or Android® Sensor Configuration App (compatible device provided by others). Available in 8' or 20' mounting lenses. See coverage patterns below.

Default Settings:

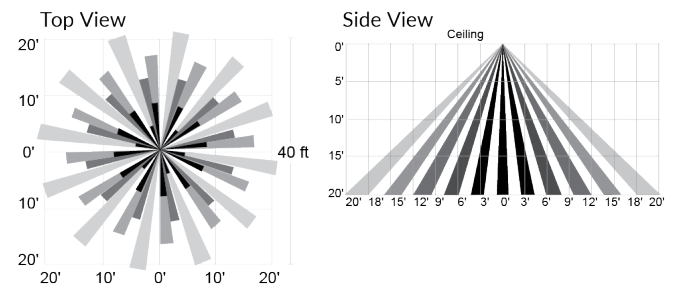
- High Mode: 100% Output
- Low Mode: 10% Output
- Time Delay: 5 mins
- Cutoff: 1 hr
- Sensitivity: High
- Photocell: Disabled
- Continuous Dimming: Disabled

#### COVERAGE PATTERNS

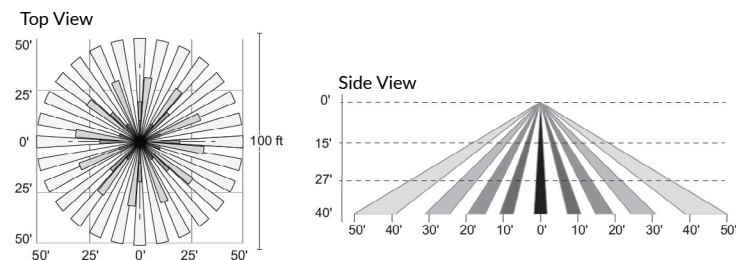
##### FSP311/L2 or SYNS/L2



##### FSP311/L3 or SYNS/L3



##### FSP311/L7 or SYNS/L7



#### PCU

Three 1/2" apertures allow for field or factory installed 120-277V universal electronic pencil photocell

#### ADVANCED CONTROLS

##### Synapse

Utilizing a robust 2.4 GHz Self-Healing Mesh Network, Synapse provides flexibility and scalability making it a perfect industrial solution for both new construction and retrofit projects. The easy-to-use web application is accessible on any device with an internet connection and allows for complete customization of the system and its features. Integral radio (SYN) includes (2) 24V inputs for a Wattstopper sensor. Sensors available in 20' or 40' mounting lenses. See coverage patterns below. Sensor mounted on hinged driver cover. Antenna exits side of luminaire for maximum connectivity.

##### Leviton ZLD1Z

Optional Bluetooth Groupable PIR sensor that allows for Programmable Options such as, Continuous Dimming, Motion and/ or daylight harvesting, fully adjustable high/low dimmed light levels, and Adjustable time delay/ cutoff delay. The sensor is programmed via a free iOS® or Android® Sensor Configuration App (compatible device provided by others). Sensor Mesh Grouping allows for 16 devices per group, with both Occupancy and Daylight Control. Recommended spacing < 100'. Comes standard with both 8'-20' or 20'-40' mounting lenses.

Default Settings:

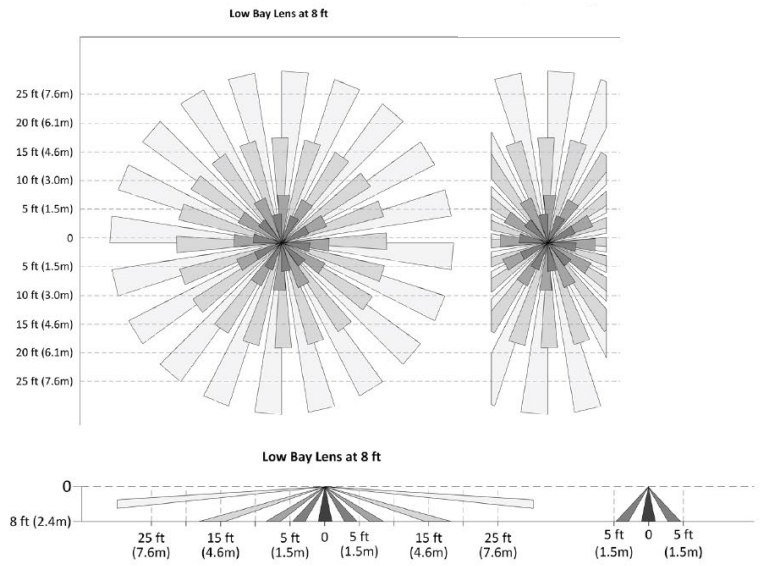
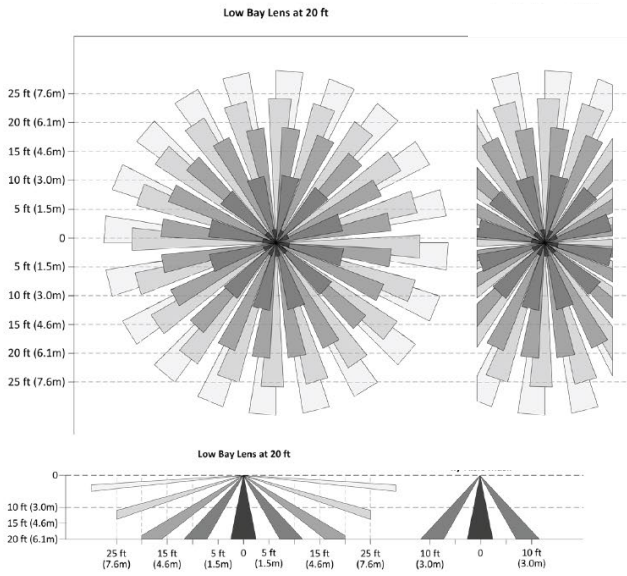
- High Mode: 100% Output
- Auto-ON/Auto-OFF with 20-minute timeout
- Sensitivity: High
- Daylight Harvesting: Enabled

# FULL CUTOFF WALL PACK

## OUTDOOR WALL MOUNT

### COVERAGE PATTERNS

#### Leviton Low Mount



#### Leviton High Mount

