



# MaxLite® Magnetic Retrofit Bar Kit

## General Safety Information

- To reduce the risk of death, personal injury or property damage from fire, electric shock, falling parts, cuts/abrasions, and other hazards read all warnings and instructions included with and on the fixture box and all fixture labels.
- Before installing, servicing, or performing routine maintenance upon this equipment, follow these general precautions.
- Commercial installation, service and maintenance of luminaires should be performed by a qualified licensed electrician.
- For Residential installation: If you are unsure about the installation or maintenance of the luminaires, consult a qualified licensed electrician and check your local electrical code.
- DO NOT INSTALL DAMAGED PRODUCT!
- This fixture is intended to be connected to a properly installed and grounded UL listed junction box.



Picture is for illustration purposes only. Your model may vary.

### WARNING: RISK OF FIRE OR ELECTRICAL SHOCK

- Turn off electrical power at fuse or circuit breaker box before wiring fixture to the power supply.
- Turn off the power when you perform any maintenance.
- Verify that supply voltage is correct by comparing it with the luminaire label information.
- Make all electrical and grounded connections in accordance with the National Electrical Code and any applicable local code requirements. All wiring connections should be capped with UL approved wire connectors.

### CAUTION: RISK OF INJURY

- Wear gloves and safety glasses at all times when removing luminaire from carton, installing, servicing or performing maintenance.
- Avoid direct eye exposure to the light source while it is on.
- Account for small parts and destroy packing material, as these may be hazardous to children.

### CAUTION: RISK OF FIRE

- Keep combustible and other materials that can burn away from luminaire and lamp/lens.

Illustrations on the manual are for installation purposes only. It may not be identical to the fixture purchased.

### Models:

#### Magnetic Retrofit Bar Kit:

MRBK-2#L&@-XX

MRBK-4#L&@-XX

# represents the length of the LED bars

& represents the optics (F/C)

@ represents the current setting (Low/ Medium/ High)

XX represents the CCT (3500K/4000K/5000K)

### NOTES:

The following LED bars are to be installed in luminaires with the following minimum compartment dimensions:

Bar Model	Min. Compartment Dimensions
2' models	566 x 38 x 22 mm
4' models	1126 x 38 x 22 mm

The bars have been evaluated for use in surface mount walls and ceiling luminaires, outdoor luminaires with compartments protected from weather, only open, surface-mounted luminaires, fully enclosed luminaires with minimum lamp compartment shown above. They have been evaluated for use in totally enclosed, recessed luminaires.

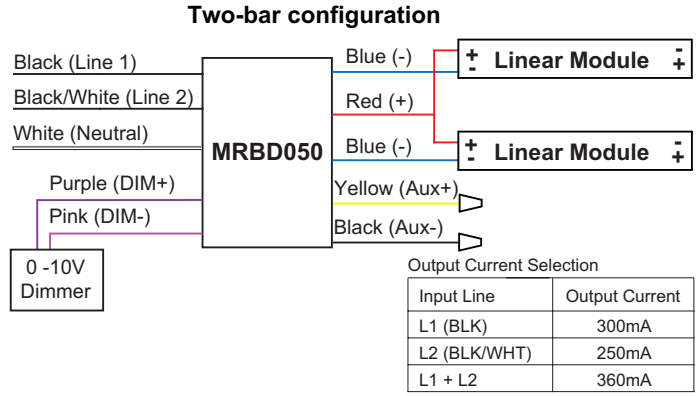
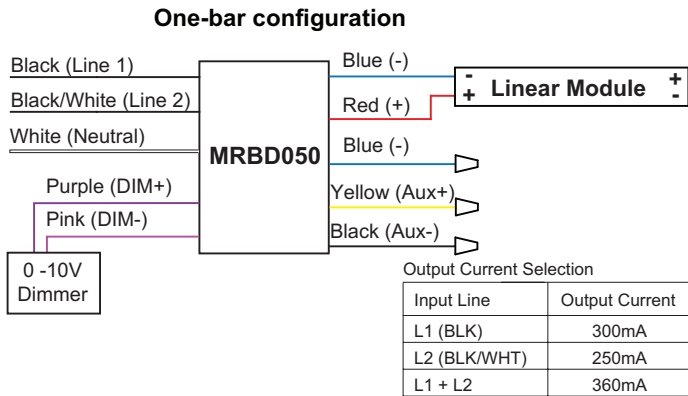


# MaxLite® Magnetic Retrofit Bar Kit

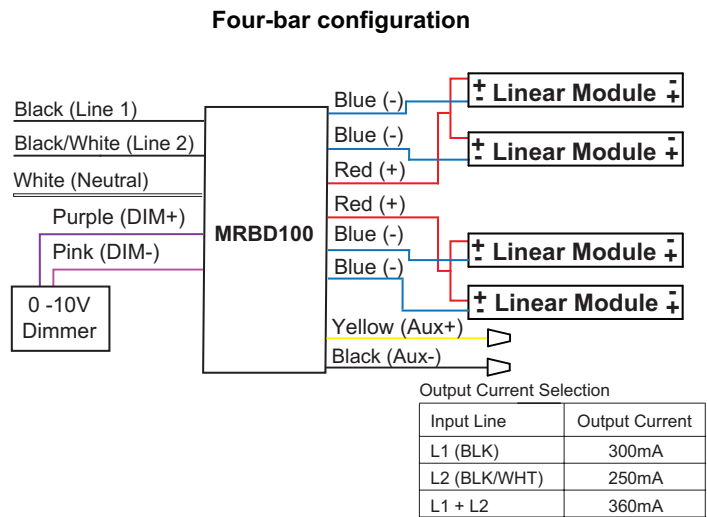
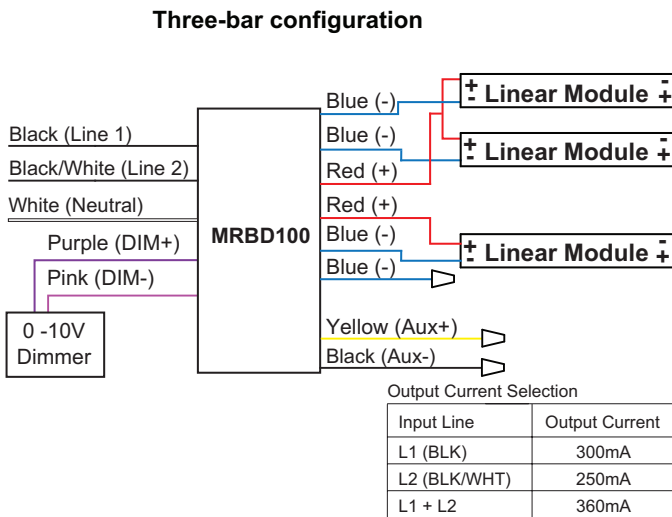
## General Wiring Diagram

**CAUTION:** Turn off electrical power at fuse or circuit breaker box before wiring fixture to the power supply.

1. For One bar and Two bar configurations:



2. For Three bar and Four bar configurations:





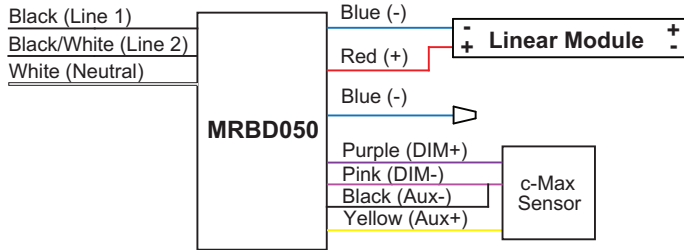
# MaxLite® Magnetic Retrofit Bar Kit

## Wiring instructions with CN-MGMST or NN-MGT

**CAUTION:** Turn off electrical power at fuse or circuit breaker box before wiring fixture to the power supply.

1. For One bar and Two bar configurations:

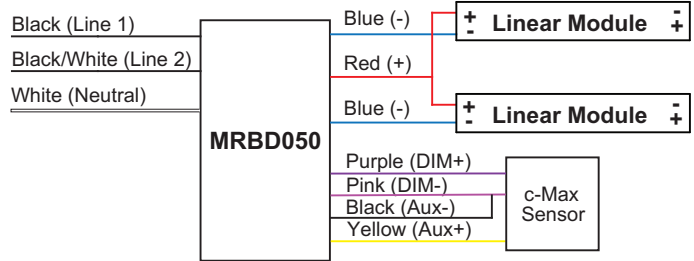
**One-bar configuration**



Output Current Selection

Input Line	Output Current
L1 (BLK)	300mA
L2 (BLK/WHT)	250mA
L1 + L2	360mA

**Two-bar configuration**

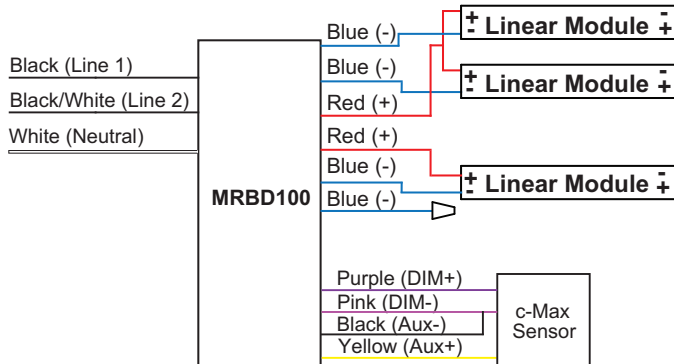


Output Current Selection

Input Line	Output Current
L1 (BLK)	300mA
L2 (BLK/WHT)	250mA
L1 + L2	360mA

2. For Three bar and Four bar configurations:

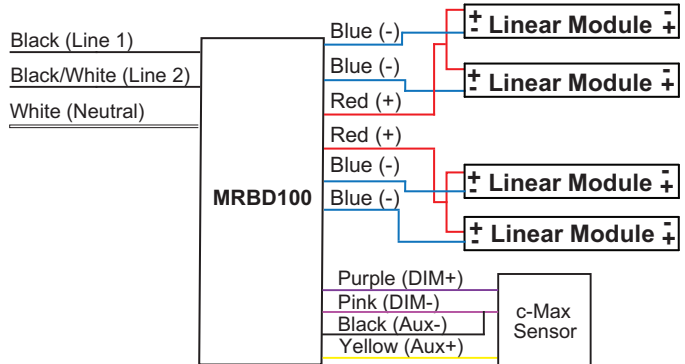
**Three-bar configuration**



Output Current Selection

Input Line	Output Current
L1 (BLK)	300mA
L2 (BLK/WHT)	250mA
L1 + L2	360mA

**Four-bar configuration**



Output Current Selection

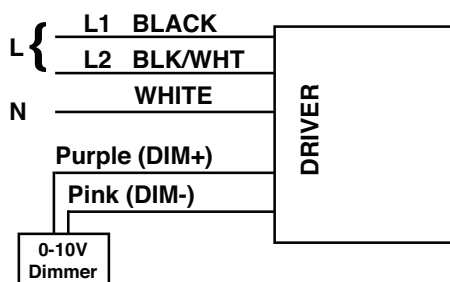
Input Line	Output Current
L1 (BLK)	300mA
L2 (BLK/WHT)	250mA
L1 + L2	360mA



# MaxLite® Magnetic Retrofit Bar Kit

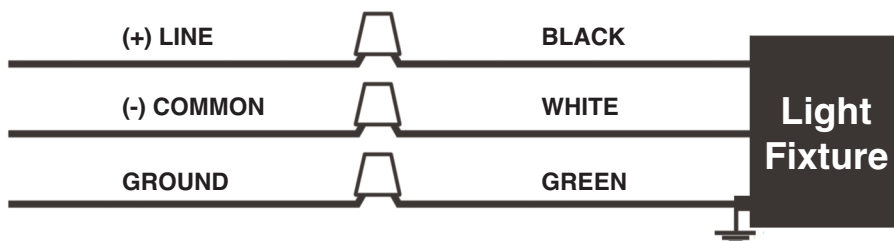
## Wiring instructions for different settings

The Maxlite Magnetic Retrofit Bar Kit can be used at three different settings – Low, Medium and High. The Line wires are split into 2 namely L1 and L2. Please refer to the following table to adjust the settings based on the requirements:



Output Current Selection		
Input Line (L)	Driver setting	Output current
L2 (BLK/WHT)	Low	250mA
L1 (BLK)	Medium	300mA
L1 + L2	High	360mA

1. Connect the (+) Line supply wire to the L1 (BLK) or L2 (BLK/WHT) or both based on requirements.
2. Connect the (-) COMMON supply wire to the N (WHITE).
3. Connect the supply ground wire to the green wire on the fixture.



## Installation & Operation - Double-Ended Wiring

**⚠ WARNING**

Disconnect the power by turning off the circuit breaker or by removing the appropriate fuse at the fuse box. Turning the power off using the light switch is not sufficient to prevent electrical shock.

**Step 1:** Disconnect or turn power OFF from the main circuit breaker.

**Step 2:** Remove lens or diffuser (if applicable).

**Step 3:** Remove existing fluorescent lamps from the luminaire.

**Step 4:** Cut all wires connected to ballast and remove ballast.

**Step 5:** Install the LED driver in place of the ballast. Ensure that the LED driver is the correct driver for the LED lamps being used (refer to driver label or product specification).

**Step 6:** Connect Black (LINE) and White (COMMON) wire to corresponding wires on LED Driver according to the required output settings.

**Step 7:** Use #6 x 1/2" hex head screws (4pcs provided) to mount the Magnetic Bar on the fixture.

**Step 8:** Follow wiring diagrams on instruction sheet to connect blue and red leads to the lamp holders according to number of lamps being installed. Blue (negative) and red (positive) leads should be on opposite ends of each lamp.

**Step 9:** Close wiring compartment.

**Step 10:** Place lens or diffuser back in place (if applicable)

**Step 11:** Switch power ON

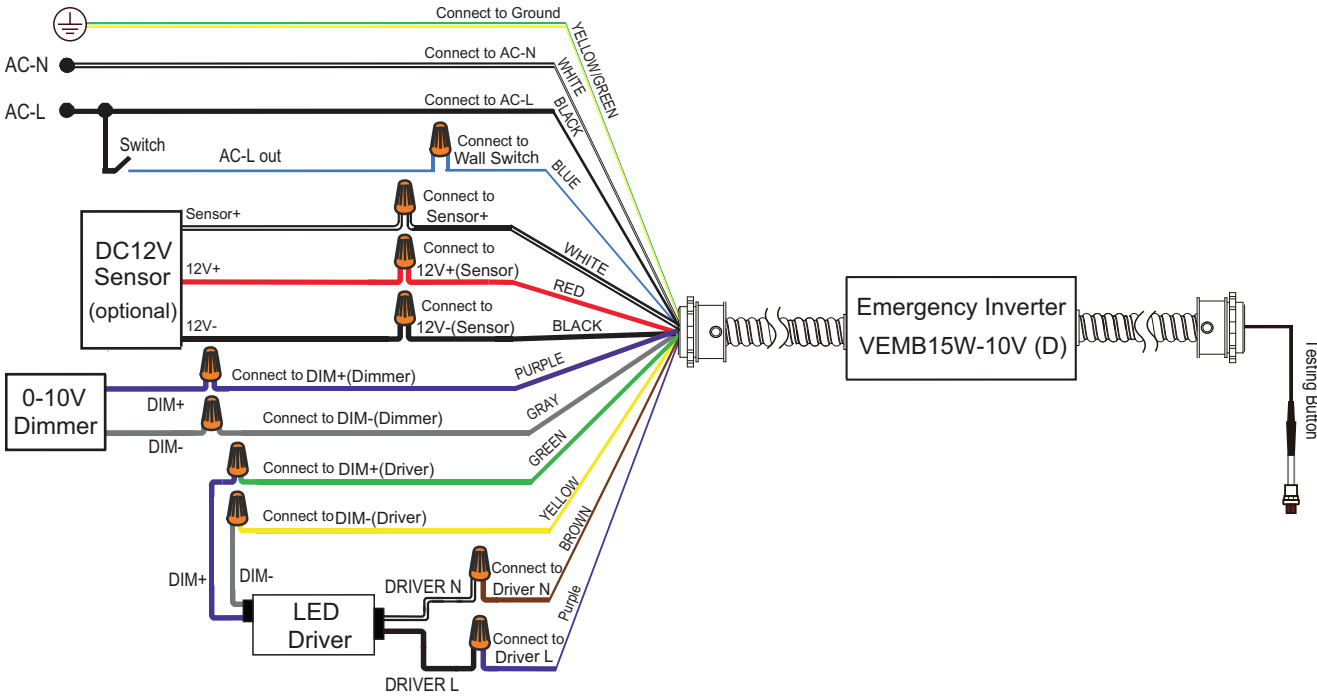


# MaxLite® Magnetic Retrofit Bar Kit

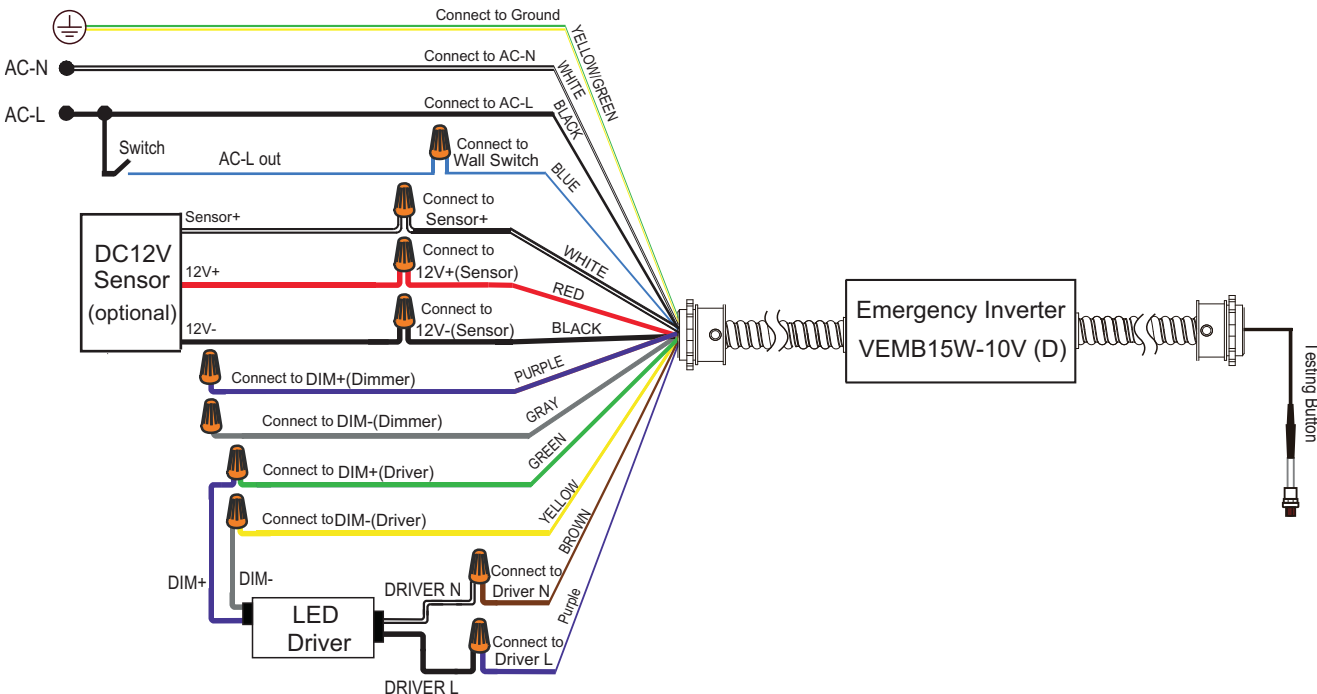
## Emergency Unit Installation Instructions

Refer to the instructions and details on the separate Instruction manual included with the Emergency unit for installation.

**NOTE:** Wiring diagram for Emergency solution with 0-10V LED driver while using a 0-10V dimmer and LED driver input not greater than 80W. Emergency Inverter Dim+ (Green), Driver Dim- (Yellow) has to connect with LED driver DIM+ and DIM-



**NOTE:** Wiring diagram for Emergency solution with 0-10V LED driver, without using a 0-10V dimmer and LED driver input not greater than 80W. Emergency Inverter Dim+ (Green), Driver Dim- (Yellow) has to connect with LED driver DIM+ and DIM-



**NOTE:** External Mount Only

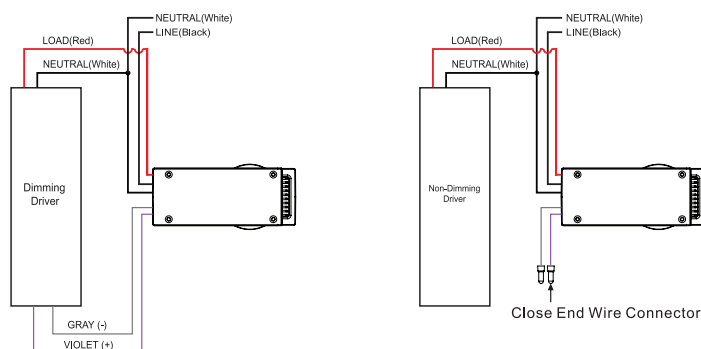


# MaxLite® Magnetic Retrofit Bar Kit

## Motion Sensor Installation Instructions

1. Determine suitable location for the sensor installation according to the application and coverage requirements. Use screws (Not included) to mount the sensor at the desired location.
2. Use the following wiring diagram to make the wiring connections.

Wiring with dimming ballast or LED driver      Wiring with non-dimming ballast or LED driver



## Warranty Information

MaxLite Inc. warrants its products for a minimum period of **FIVE (5)** years from the date of original purchase from MaxLite or its authorized distributor/dealer (the “Warranty Period”), as follows: If a Product fails to operate during the Warranty Period as a result of defects in materials or workmanship, MaxLite will, at its option, repair it, replace it with the same or like Product.

Please refer to Maxlite’s website (at <http://maxlite.com/resources/warranties>) for the complete terms and conditions of our warranty.

### Limitation of Liability

THE FOREGOING WARRANTY IS EXCLUSIVE, AND IS THE SOLE REMEDY FOR ANY AND ALL CLAIMS, WHETHER IN CONTRACT, IN TORT OR OTHERWISE ARISING FROM THE FAILURE OF PRODUCT AND IS IN LIEU OF ALL OTHER WARRANTIES, EXPRESS OR IMPLIED, INCLUDING ALL WARRANTIES OF MERCHANTABILITY OR FITNESS FOR A PARTICULAR PURPOSE, WHICH WARRANTIES ARE HEREBY EXPRESSLY DISCLAIMED TO THE EXTENT PERMITTED BY LAW AND, IN ANY EVENT, SHALL BE LIMITED TO THE WARRANTY PERIOD SPECIFIED ABOVE. THE LIABILITY OF MAXLITE SHALL BE LIMITED TO THE TERMS OF THE EXPRESS WARRANTY SET FORTH HEREIN. IN NO EVENT WILL MAXLITE BE LIABLE FOR ANY SPECIAL, INCIDENTAL OR CONSEQUENTIAL DAMAGES INCLUDING, WITHOUT LIMITATION, DAMAGES RESULTING FROM LOSS OF USE, PROFITS, BUSINESS OR GOODWILL, LABOR COSTS, REMOVAL OR INSTALLATION COSTS, DECREASE IN THE LIGHT OUTPUT OF THE LAMP, AND/OR DETERIORATION IN THE LAMP’S PERFORMANCE, WHETHER OR NOT MAXLITE HAS BEEN ADVISED OF THE POSSIBILITY THEREOF. UNDER NO CIRCUMSTANCES SHALL MAXLITE’S ENTIRE LIABILITY FOR A DEFECTIVE PRODUCT EXCEED THE PURCHASE PRICE OF THAT PRODUCT. WARRANTY SERVICES PROVIDED UNDER THESE TERMS AND CONDITIONS DO NOT ENSURE THE UNINTERRUPTED OPERATION OF PRODUCTS; MAXLITE SHALL NOT BE LIABLE FOR DAMAGES CAUSED BY ANY DELAYS INVOLVING WARRANTY SERVICE.

This Limited Warranty gives you specific legal rights and you may also have other rights that may vary from state to state. Because some states or jurisdictions do not allow the exclusion or limitation of liability for consequential or incidental damages, this limitation may not apply to you.