

## MaxLite® LED M-Series



### General Safety Information

- This fixture is designed for outdoor lighting service, and should not be used in areas of limited ventilation, or in high ambient temperatures.
- Before installing light fixtures, read and understand all cautions, warnings, instructions, and product labels. Failure to do so could result in injury and/or void the warranty.
- Installation should be done by a qualified electrician. Make sure power is OFF before installing or maintaining fixture.
- Risk of injury or damage. Unit will fall if not installed properly. Follow installation instructions.
- To reduce the risk of death, personal injury or property damage from fire, electric shock, falling parts, cuts/abrasions, and other hazards read all warnings and instructions included with and on the fixture box and all fixture labels.
- Before installing, servicing, or performing routine maintenance upon this equipment, follow these general precautions.
- Commercial installation, service and maintenance of luminaires should be performed by a qualified licensed electrician.
- DO NOT INSTALL DAMAGED PRODUCT!
- This fixture is intended to be connected to a properly installed and grounded UL listed junction box.



Picture is for illustration purposes only.  
Your model may vary.

#### **WARNING:**

##### RISK OF ELECTRICALSHOCK

- Turn off electrical power at fuse or circuit breaker box before wiring fixture to the power supply.
- Turn off the power when you perform any maintenance.
- Verify that supply voltage is correct by comparing it with the luminaire label information.
- Make all electrical and grounded connections in accordance with the National Electrical Code and any applicable local code requirements.
- All wiring connections should be capped with UL approved wire connectors.

#### **CAUTION:**

##### RISK OF INJURY

- Unit will fall if not installed properly. Follow installation instructions.
- Wear gloves and safety glasses at all times when removing luminaire from carton, installing, servicing or performing maintenance.
- Avoid direct eye exposure to the light source while it is on.
- Account for small parts and destroy packing material, as these may be hazardous to children.

#### **CAUTION:**

##### RISK OF FIRE

- Keep combustible and other materials that can burn away from luminaire and lamp/lens.
- MIN 90°C SUPPLY CONDUCTORS

Models:

**Example: M40, M55, M75, M100, M125, M150, M200, M250, and M320 M-Series**

#### **Operating characteristics:**

Operating temperature: -40°C to 40°C

Input voltage range: 100-277Vac, 277-480Vac, 50/60Hz

© Copyright 2021. MaxLite, Inc. All Rights Reserved.

12 York Ave, West Caldwell, NJ 07006 Tel: 800-555-5629 Fax: 973-244-7333 Email: info@maxlite.com

Page: 1

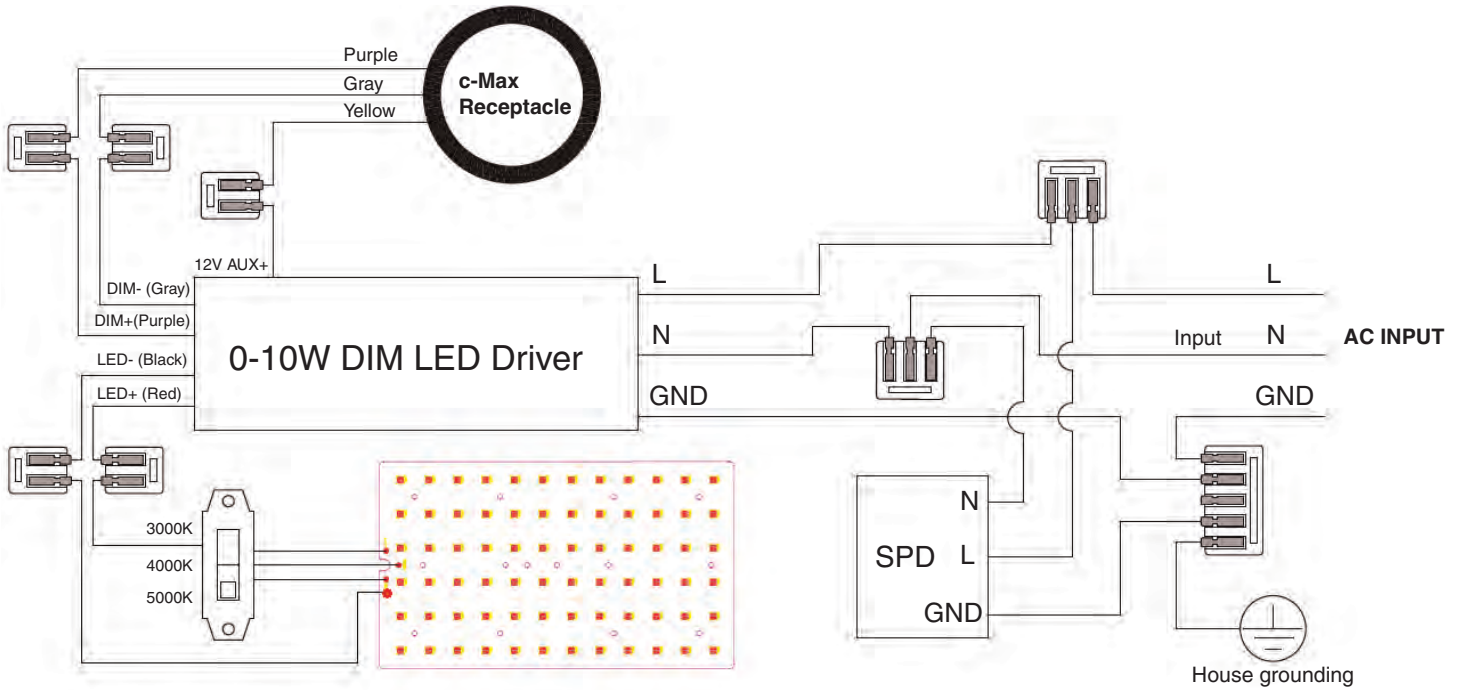
REV: 12/15/21

MaxLite® LED M-Series



Wiring Diagrams

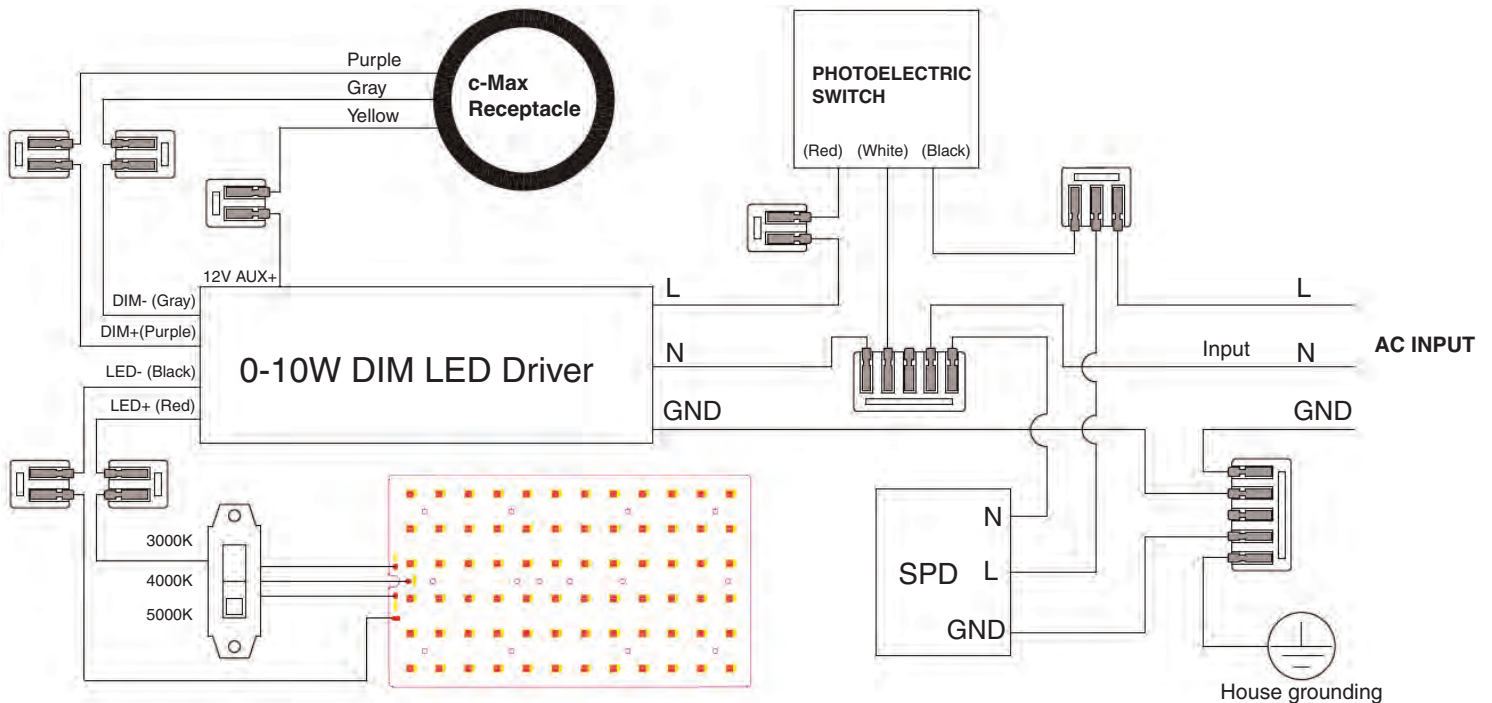
FIG A: Standard wiring with c-Max™ receptacle.



**NOTE:** SPD standard only on models M125, M150, M200, M250 and M320

**NOTE:** M320 models have a Vaux- wire connected to the DIM- (Gray) wire

FIG B: Wiring with a line voltage photo-control.



**NOTE:** SPD standard only on models M125, M150, M200, M250 and M320

**NOTE:** M320 models have a Vaux- wire connected to the DIM- (Gray) wire

MaxLite® LED M-Series

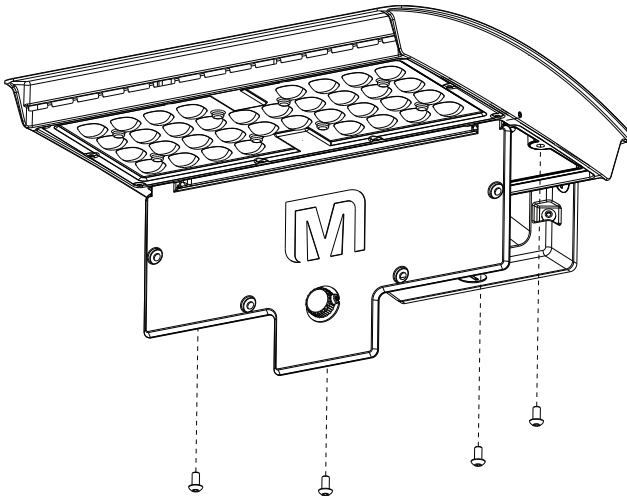


**NOTE:** The 75W/100W model is used in the illustrations below for demonstration purposes. Your model may vary.

**Setting Color Temperature (CCT):**

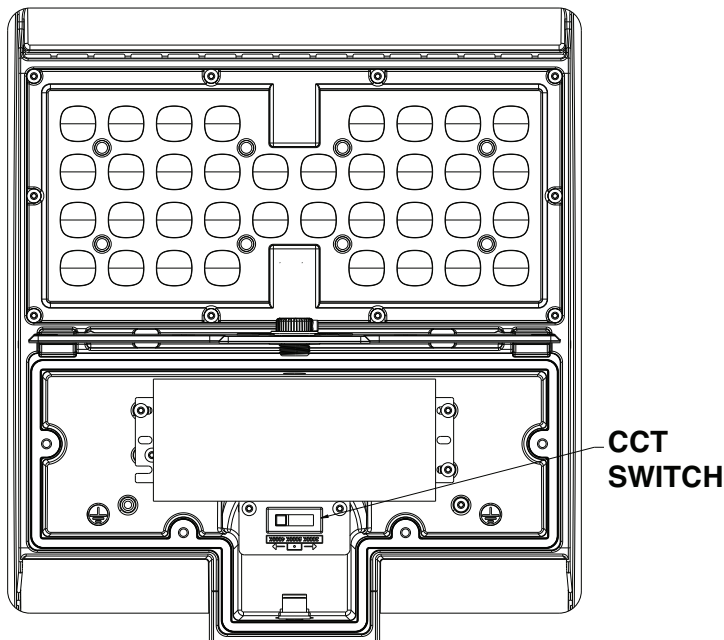
**Note:** Depending on the CCT selected and due to the color mixing design, all LEDs may not turn on.

1. Remove the M4 hex head screws from the driver compartment cover, and open the hinge cover to access the driver compartment (see **FIG. A**).



**FIG. A**

2. Adjust the CCT switch to the desired color temperature and close the driver compartment cover by replacing the screws removed in step 1. Ensure that all wires are tucked inside of the compartment and the screws are tightened to prevent water leaks (see **FIG. B**).



**FIG. B**

# MaxLite® LED M-Series



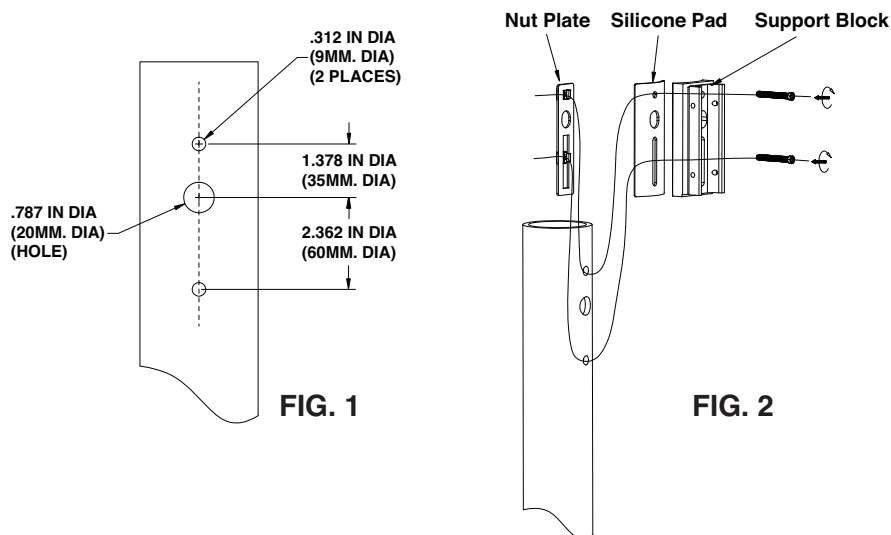
Follow the appropriate installation instructions based on your selected mounting method:

- A. Straight Arm Mounting
- B. Flexible Arm Mounting
- C. Slipfitter Mounting
- D. Trunnion Mounting
- E. Fixed Wall Mounting
- F. Variable Wall Mounting

## Installation & Operation

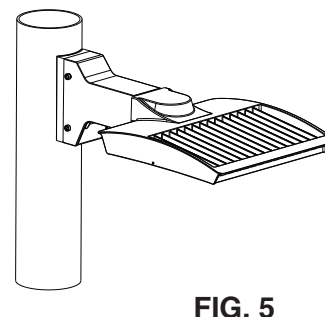
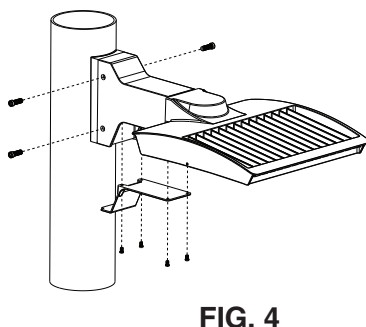
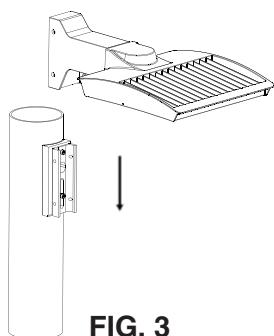
### A: Straight Arm Mount:

The fixture can be mounted to either a round or square pole with an adapter mounting plate. The mounting plate has a slot pattern that can cover many existing hole patterns. If there is no existing hole pattern or the holes are outside of the slot range, drill holes according to the pattern in **FIG. 1**. Install the mounting plate in accordance with **FIG. 2**.



Three different adapter plates are available for round poles - 3", 4" and 5" RPA (Round Pole Adapters)

1. Tighten the nut plate and adapter on the pole (see **FIG. 2**).
2. Insert the fixture onto the adapter (see **FIG. 3**).
3. Tighten the four (4) M8 bolts on the arm and secure it to the adapter. Connect the power leads properly according to the wiring diagrams above. Make wiring connections inside the arm, and tighten the bottom cover with the four (4) M4 screws (see **FIG. 4**). The wiring connections can also be made inside of the pole.
4. Inspect installation to ensure the fixture is secure (see **FIG 5**).





# MaxLite® LED M-Series



## Installation & Operation

### B: Flexible Arm Mount:

The fixture can be mounted to either a round or square pole with an adapter mounting plate. The flexible arm can be aimed 0 to 60° both upward and downward in 20° increments (see **FIG. 1**). The mounting plate has a slot pattern that can cover many existing hole patterns. If there is no existing hole pattern or the holes are outside of the slot range, drill holes according to the pattern in **FIG. 2**. Install the mounting plate in accordance with **FIG. 3**.

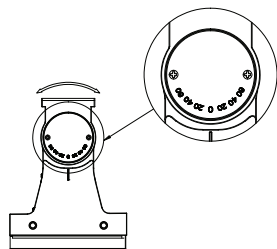


FIG. 1

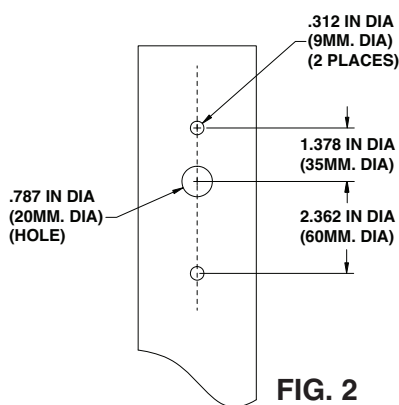


FIG. 2

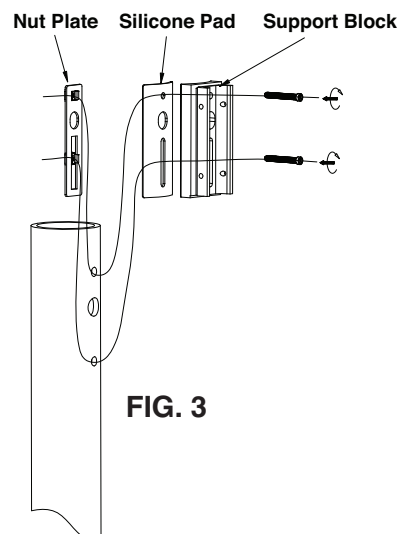


FIG. 3

Different adapters are available, including square pole adapter, 3" round pole adapter (RPA), 4" RPA, and 5" RPA.

1. Tighten the nut plate and adapter on the pole (see **FIG. 3**).
2. Insert the fixture onto the adapter (see **FIG. 4**).
3. Tighten the four (4) M8 bolts on the arm and secure it to the adapter. Connect the power leads properly according to the wiring diagrams above. Make wiring connections inside the arm, and tighten the bottom cover with the four (4) M4 screws (see **FIG. 5**). The wiring connections can also be made inside of the pole.
4. To aim the fixture, remove the cover plate, loosen the M10 center knuckle bolt on the arm, adjust the aim 0 to 60° both upward and downward to the desired angle (see **FIG. 6**).
5. Inspect installation to ensure the fixture is secure (see **FIG. 7**).

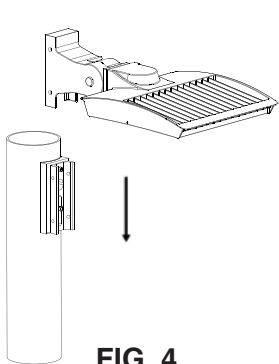


FIG. 4

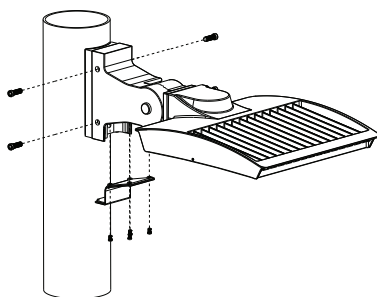


FIG. 5

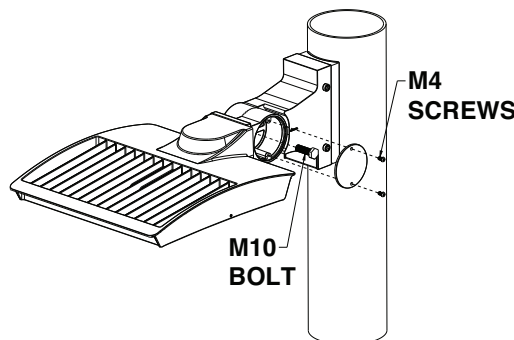


FIG. 6

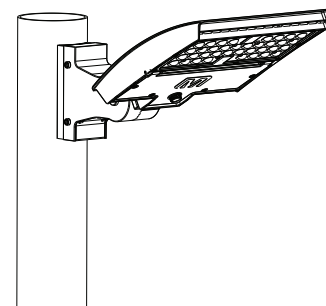


FIG. 7

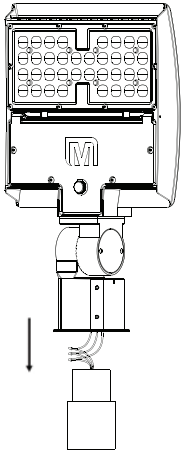
MaxLite® LED M-Series



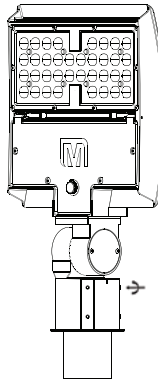
**Installation & Operation**

**C: Slipfitter Mount:**

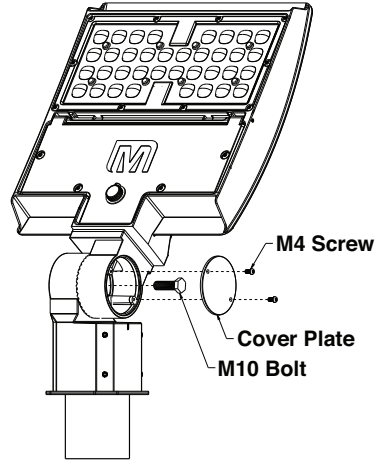
1. Connect the power supply wires to the fixture input wires (see Wiring Diagrams above). Lay the wires into the pole and insert the slipfitter onto the pole (see **FIG. 1**).  
**Note:** fits over 2 3/8" - 3" OD tenons
2. Tighten the four (4) set screws on the slipfitter to secure it to the pole (refer to **FIG. 2**).
3. To aim the fixture, remove the cover plate, loosen the M10 center knuckle bolt on the arm, adjust the arm to the desired angle (see **FIG. 3**).



**FIG. 1**



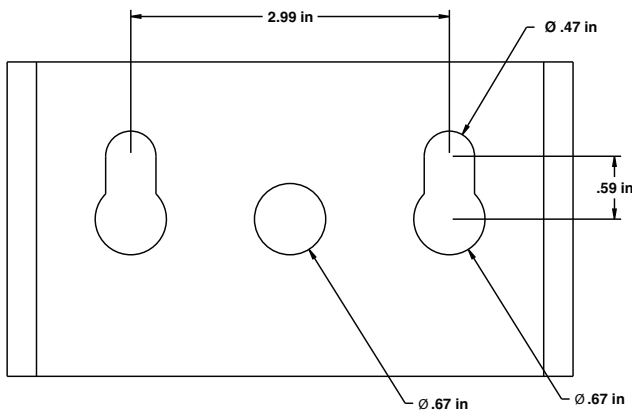
**FIG. 2**



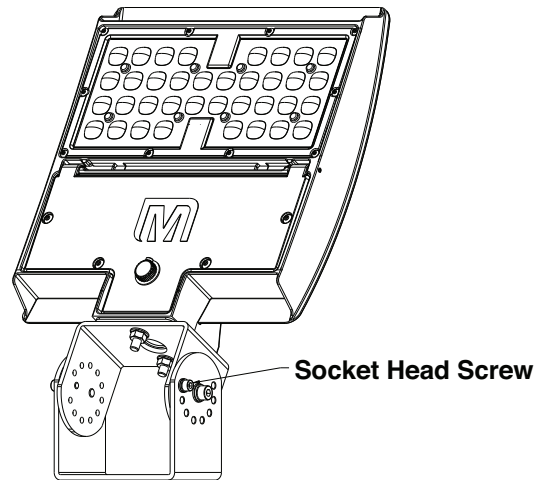
**FIG. 3**

**D: Trunnion Mounting:**

1. The trunnion bracket can be mounted using two (2) M12 bolts. Refer to **FIG. 1** for drilling dimensions.  
**NOTE:** Bolts not included. Provided by customer.
2. Once mounting hole(s) are drilled, secure the bracket with the fixture to the mounting surface.
3. Adjust the fixture to the desired angle by loosening the center bolts and removing the socket head screws. Once the fixture is set to the desired angle, retighten the socket head screws to secure the fixture (see **FIG. 2**).



**FIG. 1**



**FIG. 2**

MaxLite® LED M-Series



**Installation & Operation**

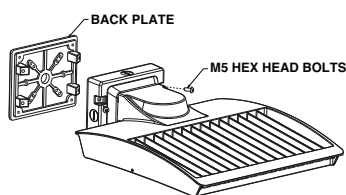
**E: Fixed Wall Mount:**

1. Remove the four (4) M5 hex head bolts. Remove the back plate from the wall mount (see **FIG. 1**).
2. Drill holes in the 4 corner indentions to anchor the back plate to the wall. Drill holes on the J-Box mounting pattern to match the J-Box. Note the 4 corner holes are to attach the fixture to the wall, the J-Box holes are to provide compression for the gasket to seal electrical connections. The J-Box mounting is not intended to be weight bearing and hold the fixture to the wall. (see **FIG. 2**).

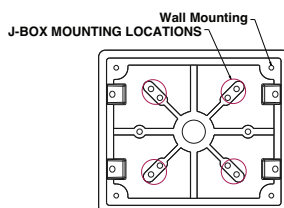
**NOTE:** mounting hardware not included.

3. Connect the power leads to the driver compartment according to the wiring diagrams above. Retighten the four (4) M5 hex head bolts removed in step 1 (see **FIG. 3**).
4. Use the side knockout holes for surface conduit installation.
5. Inspect installation to ensure the fixture is secure.

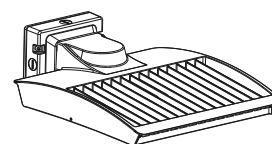
**NOTE:** Add a bead of exterior grade silicone sealant around the perimeter of the mount on the wall to inhibit any moisture from attachment bolts.



**FIG. 1**



**FIG. 2**



**FIG. 3**

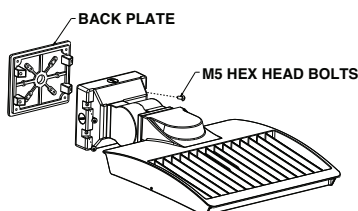
**F: Variable Wall Mount:**

1. Remove the four (4) M5 hex head bolts. Remove the back plate from the flexible wall mount (see **FIG. 1**).
2. Drill holes in the 4 corner indentions to anchor the back plate to the wall. Drill holes on the J-Box mounting pattern to match the J-Box. Note the 4 corner holes are to attach the fixture to the wall, the J-Box holes are to provide compression for the gasket to seal electrical connections. The J-Box mounting is not intended to be weight bearing and hold the fixture to the wall. (see **FIG. 2**).

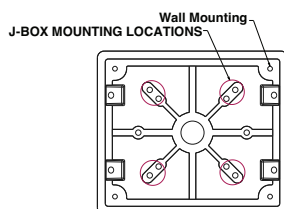
**NOTE:** mounting hardware not included.

3. Connect the power leads to the driver compartment according to the wiring diagrams above. Retighten the four (4) M5 hex head bolts removed in step 1 (see **FIG. 3**).
4. Use the side knockout holes for surface conduit installation.
5. To aim the fixture, remove the cover plate, loosen the M10 center knuckle bolt on the arm, adjust the arm to the desired angle (see **FIG. 4**).
6. Inspect installation to ensure the fixture is secure (see **FIG. 5**).

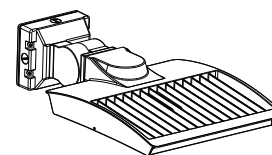
**NOTE:** Add a bead of exterior grade silicone sealant around the perimeter of the mount on the wall to inhibit any moisture from attachment bolts.



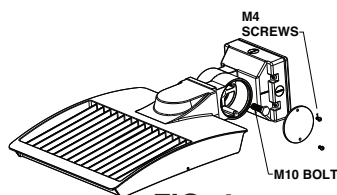
**FIG. 1**



**FIG. 2**



**FIG. 3**



**FIG. 4**



**FIG. 5**

MaxLite® LED M-Series



**c-Max™ node Installation Instructions (Applicable only on CR models)**

1. Remove the set screw from the round c-Max™ USB-C receptacle (see FIG. 1).
2. Remove the USB-C receptacle cover by turning it 90° (see FIG. 2).

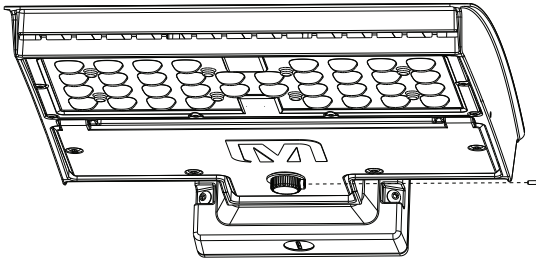


FIG. 1

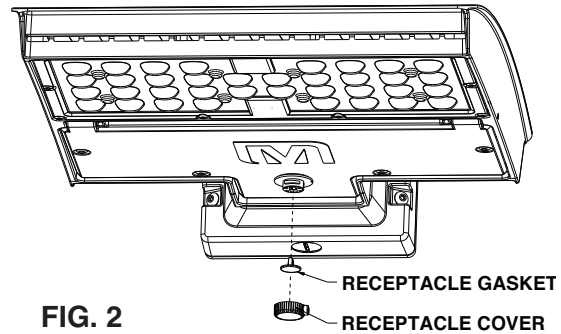


FIG. 2

3. Plug the c-Max™ control node into the USB-C receptacle (see FIG. 3).

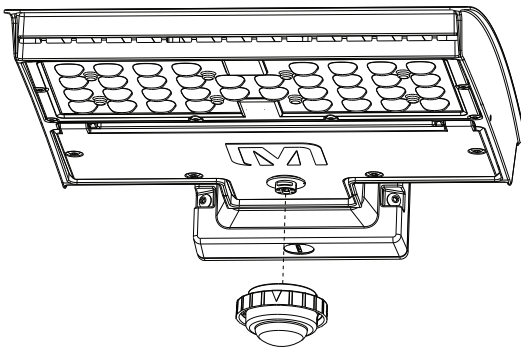


FIG. 3

4. Rotate the outer ring until the arrows align (see FIG. 4).

**Note:** This is important to seal the fixture.

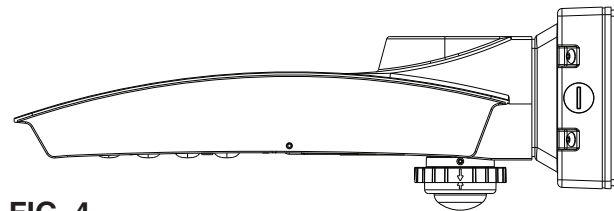


FIG. 4

5. Secure the control node in place with the provided set screw.

**Note:** This is important to prevent vandalism and shaking loose with vibration.

MaxLite® LED M-Series



**Optional EM Installation:**

If your fixture came with a pre-installed battery back-up unit, follow these steps to install.

1. Use a flat head screwdriver to remove the knockout cap from the back of the EM extension box (see **FIG. 1**).
2. Remove the twelve (12) M4 hex head screws and set aside for later use. Separate the fixture and EM extension cover from the EM extension box (see **FIG. 2**).
3. Drill mounting holes in the EM extension box in the four (4) corners of the extension box for wall mounting. Drill through the raised hole locations on the junction box template in the center of the box that correspond to the mounting points on the intended junction box (see **FIG. 3**). Mount the extension box to the wall and the junction box using these drilled holes. **NOTE:** mounting hardware not included.
4. Hook the fixture and EM extension cover onto the EM extension box. Allow the fixture to hang by the brackets to facilitate the wiring process (see **FIG. 4**).
5. Pull the input wires through the hole in the EM extension box and complete the wiring connections following the wiring diagrams below (E0 or E2).
6. Replace the EM extension cover onto the extension box. Ensure that the gasket in-between the cover and box fits in place. Secure the cover to the box using the twelve (12) M4 screws previously removed in step 1 (see **FIG. 5**).

**NOTE:** Add a bead of exterior grade silicone sealant around the perimeter of the mount on the wall to inhibit any moisture from attachment bolts.

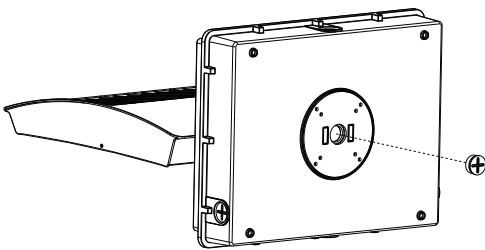


FIG. 1

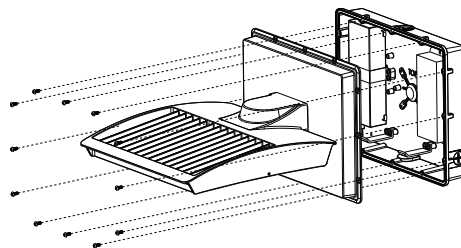


FIG. 2

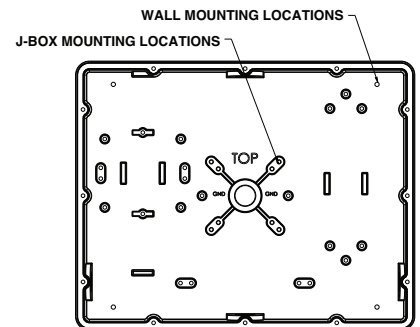


FIG. 3

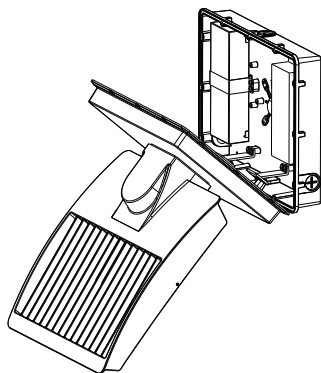


FIG. 4

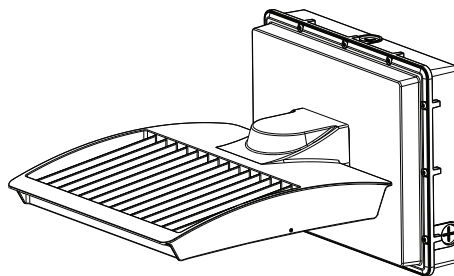


FIG. 5

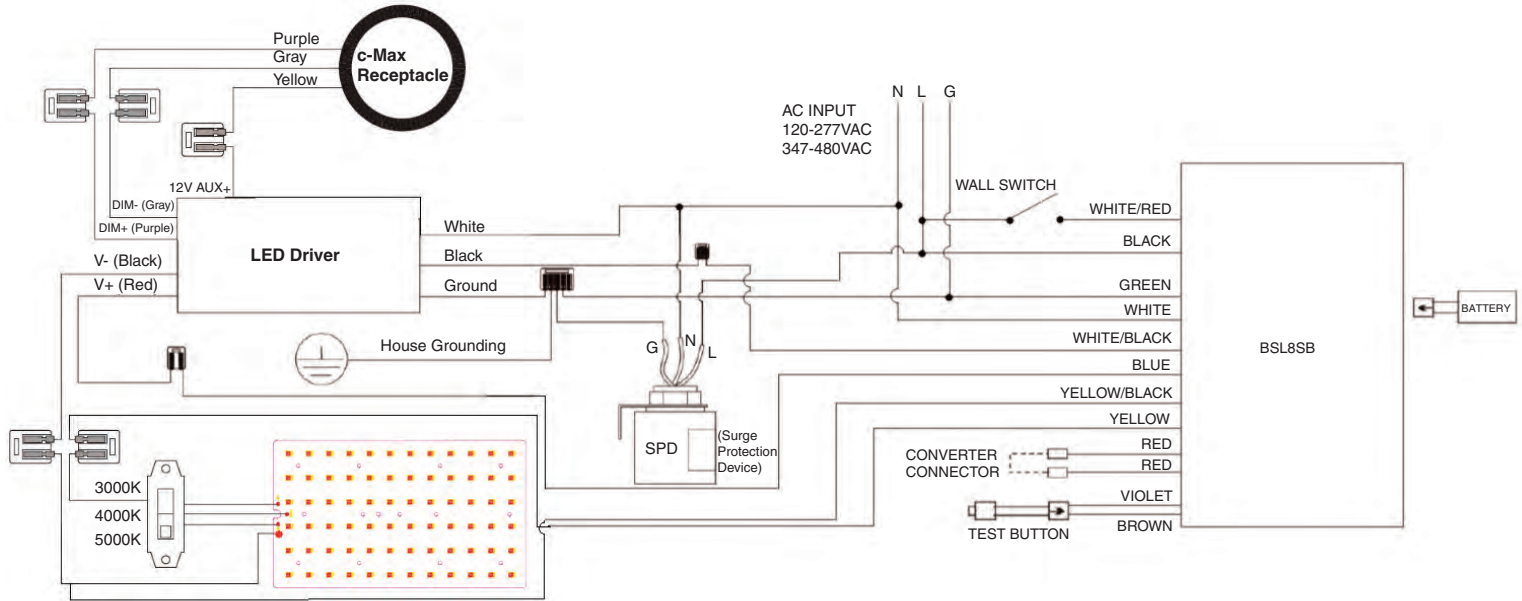


MaxLite® LED M-Series



EM Wiring Diagrams

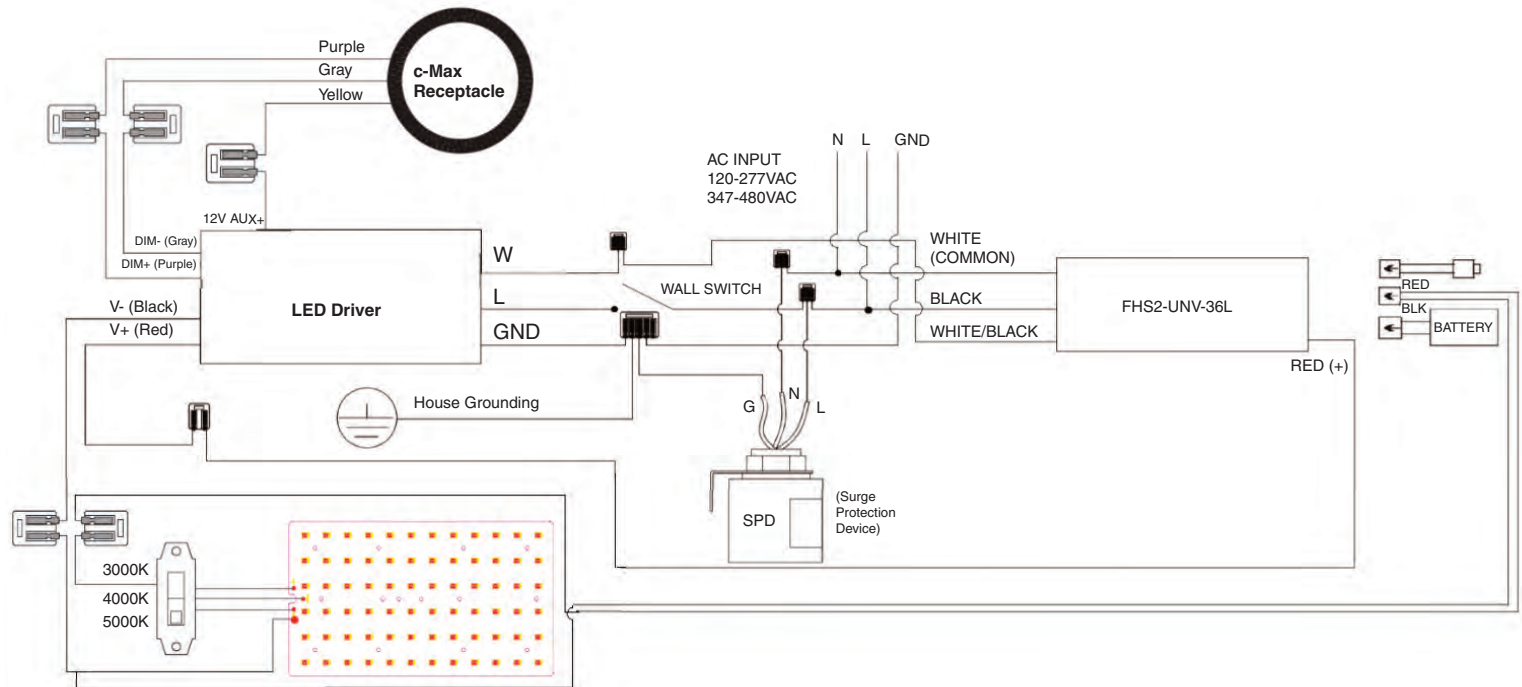
FIG A: Standard wiring with -20C EM



**NOTE:** SPD standard only on models M125, M150, M200, M250 and M320

**NOTE:** M320 models have a Vaux- wire connected to the DIM- (Gray) wire

FIG B: Standard wiring with 0C EM



**NOTE:** SPD standard only on models M125, M150, M200, M250 and M320

**NOTE:** M320 models have a Vaux- wire connected to the DIM- (Gray) wire

**MaxLite® LED M-Series****Maintenance**

The unit is designed for years with minimum care. For optimum performance, periodically clean lens with a mild, non-abrasive glass cleaner and soft cloth. Do NOT use solvents or cleaners containing abrasive agents. When cleaning the fixture, make sure you have the power turned off and do not spray liquid cleaner directly onto the LED, or wiring.

**MaxLite® LED M-Series****Warranty Information**

MaxLite Inc. warrants its products for a minimum period of **TEN (10)** years from the date of original purchase from MaxLite or its authorized distributor/dealer (the "Warranty Period"), as follows: If a Product fails to operate during the Warranty Period as a result of defects in materials or workmanship, MaxLite will, at its option, repair it, replace it with the same or like Product.

Please refer to Maxlite's website (at <http://maxlite.com/resources/warranties>) for the complete terms and conditions of our warranty.

**Limitation of Liability**

THE FOREGOING WARRANTY IS EXCLUSIVE, AND IS THE SOLE REMEDY FOR ANY AND ALL CLAIMS, WHETHER IN CONTRACT, IN TORT OR OTHERWISE ARISING FROM THE FAILURE OF PRODUCT AND IS IN LIEU OF ALL OTHER WARRANTIES, EXPRESS OR IMPLIED, INCLUDING ALL WARRANTIES OF MERCHANTABILITY OR FITNESS FOR A PARTICULAR PURPOSE, WHICH WARRANTIES ARE HEREBY EXPRESSLY DISCLAIMED TO THE EXTENT PERMITTED BY LAW AND, IN ANY EVENT, SHALL BE LIMITED TO THE WARRANTY PERIOD SPECIFIED ABOVE. THE LIABILITY OF MAXLITE SHALL BE LIMITED TO THE TERMS OF THE EXPRESS WARRANTY SET FORTH HEREIN. IN NO EVENT WILL MAXLITE BE LIABLE FOR ANY SPECIAL, INCIDENTAL OR CONSEQUENTIAL DAMAGES INCLUDING, WITHOUT LIMITATION, DAMAGES RESULTING FROM LOSS OF USE, PROFITS, BUSINESS OR GOODWILL, LABOR COSTS, REMOVAL OR INSTALLATION COSTS, DECREASE IN THE LIGHT OUTPUT OF THE LAMP, AND/OR DETERIORATION IN THE LAMP'S PERFORMANCE, WHETHER OR NOT MAXLITE HAS BEEN ADVISED OF THE POSSIBILITY THEREOF. UNDER NO CIRCUMSTANCES SHALL MAXLITE'S ENTIRE LIABILITY FOR A DEFECTIVE PRODUCT EXCEED THE PURCHASE PRICE OF THAT PRODUCT. WARRANTY SERVICES PROVIDED UNDER THESE TERMS AND CONDITIONS DO NOT ENSURE THE UNINTERRUPTED OPERATION OF PRODUCTS; MAXLITE SHALL NOT BE LIABLE FOR DAMAGES CAUSED BY ANY DELAYS INVOLVING WARRANTY SERVICE.

This Limited Warranty gives you specific legal rights and you may also have other rights that may vary from state to state. Because some states or jurisdictions do not allow the exclusion or limitation of liability for consequential or incidental damages, this limitation may not apply to you.

## Série M à LED MaxLite®

**Consignes générales de sécurité**

- Ce luminaire est conçu pour l'éclairage des zones extérieures et ne sera pas utilisé dans les zones à ventilation limitée, ou dans les zones à température ambiante élevée.
- Avant d'installer le luminaire, lisez et comprenez toutes les précautions, les avertissements, les instructions et les étiquettes du produit. Ne pas respecter cette consigne pourrait avoir comme résultat des blessures corporelles et/ou l'annulation de la garantie.
- L'installation sera effectuée par un électricien qualifié. Assurez-vous que l'alimentation est COUPÉE avant d'installer ou réparer le luminaire.
- Risque de blessure ou dommage matériel. L'unité risque de tomber si l'installation n'est pas adéquate. Respectez les instructions d'installation.
- Pour réduire le risque de décès, de blessure corporelle ou de dommage matériel provoqué par incendie, choc électrique, chute d'objets, coupures / abrasions et autres risques, lisez tous les avertissements et les instructions qui accompagnent l'emballage du luminaire et toutes les étiquettes du luminaire.
- Avant l'installation, la réparation ou la réalisation des opérations ordinaires d'entretien de cet équipement, suivez ces précautions générales.
- L'installation commerciale, la réparation et l'entretien des luminaires seront effectués par un électricien qualifié et autorisé.
- NE PAS INSTALLER DE PRODUITS ENDOMMAGÉS!
- Ce luminaire a été conçu pour être connecté à une boîte de jonction homologuée UL, correctement installée et reliée à la terre.



L'image est pour des fins d'illustration seulement. Votre modèle peut être différent.

**AVERTISSEMENT: RISQUE DE CHOC ÉLECTRIQUE**

- Débranchez l'alimentation électrique au fusible ou au disjoncteur avant de connecter le luminaire à la source d'alimentation.
- Débranchez l'alimentation lorsque vous effectuez des travaux d'entretien.
- Vérifiez si la valeur de la tension d'alimentation est correcte en la comparant aux informations dans le tableau sur l'étiquette du luminaire.
- Réalisez toutes les connexions électriques et de terre en conformité avec le code électrique national et les éventuelles exigences locales applicables du code.
- Toutes les connexions électriques seront terminées avec des connecteurs pour fils approuvés UL.

**PRÉCAUTION: RISQUE DE BLESSURE**

- L'unité risque de tomber si l'installation n'est pas adéquate. Respectez les instructions d'installation.
- Portez des gants et des lunettes de sécurité en tout temps, lorsque vous enlevez le luminaire de son emballage, lors de l'installation, la réparation ou les travaux d'entretien.
- Évitez l'exposition directe des yeux à la source de lumière si le luminaire est allumé.
- Comptabilisez les composants de dimensions réduites et éliminez l'emballage, parce qu'il peut poser un risque pour les enfants.

**PRÉCAUTION: RISQUE D'INCENDIE**

- Gardez les matériaux combustibles et les autres matériaux qui peuvent brûler à distance des luminaires et de la lampe / lentille.
- CONDUCTEURS D'ALIMENTATION MIN 90°C.

Modèles:

**Exemple: M40, M55, M75, M100, M125, M150, M200, M250 et M320 de la série M**

**Caractéristiques de fonctionnement:**

Température de fonctionnement: -40°F à 40°F

Plage de la tension d'entrée: 100-277Vca, 277-480Vca, 50/60Hz

© Droits d'auteur 2021. MaxLite, Inc. Tous droits réservés.

12 York Ave, West Caldwell, NJ 07006 Tél: 800-555-5629 Fax: 973-244-7333 Email: info@maxlite.com

Page: 1

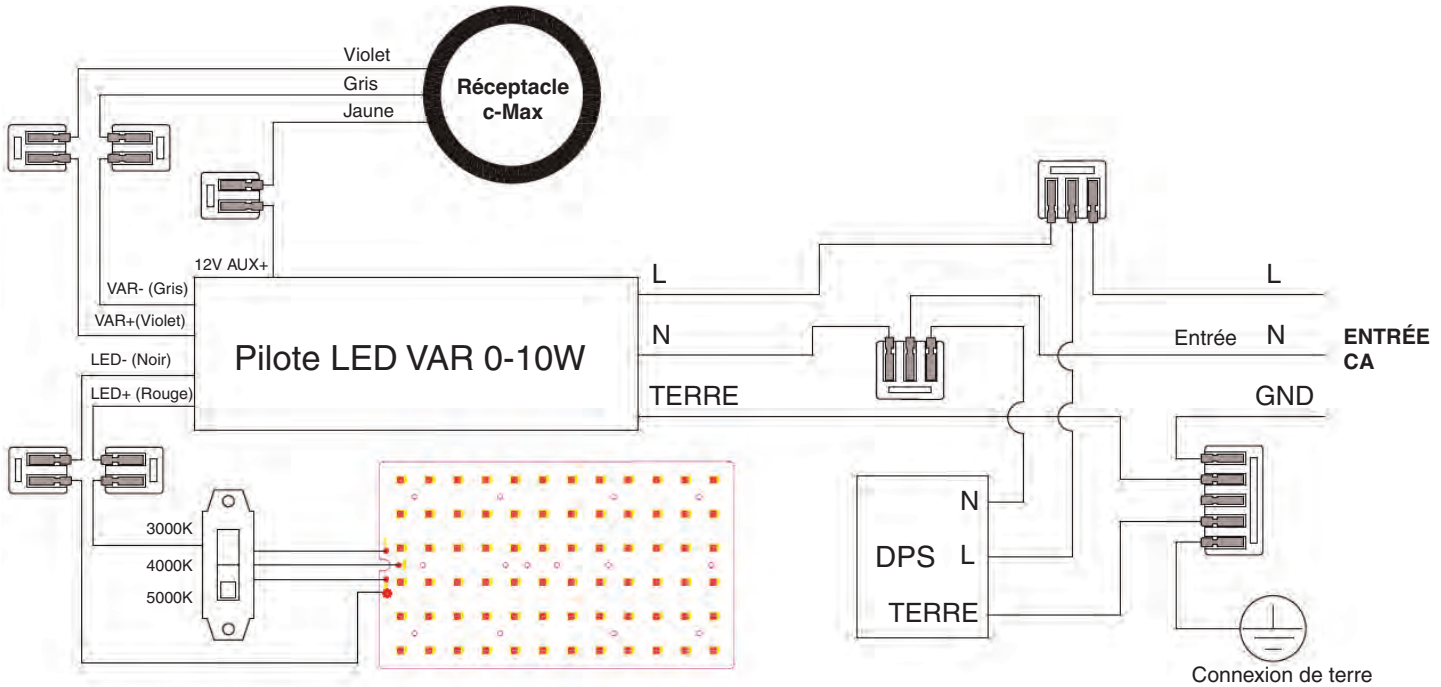
RÉV: 12/15/21

Série M à LED MaxLite®



Schémas de câblage

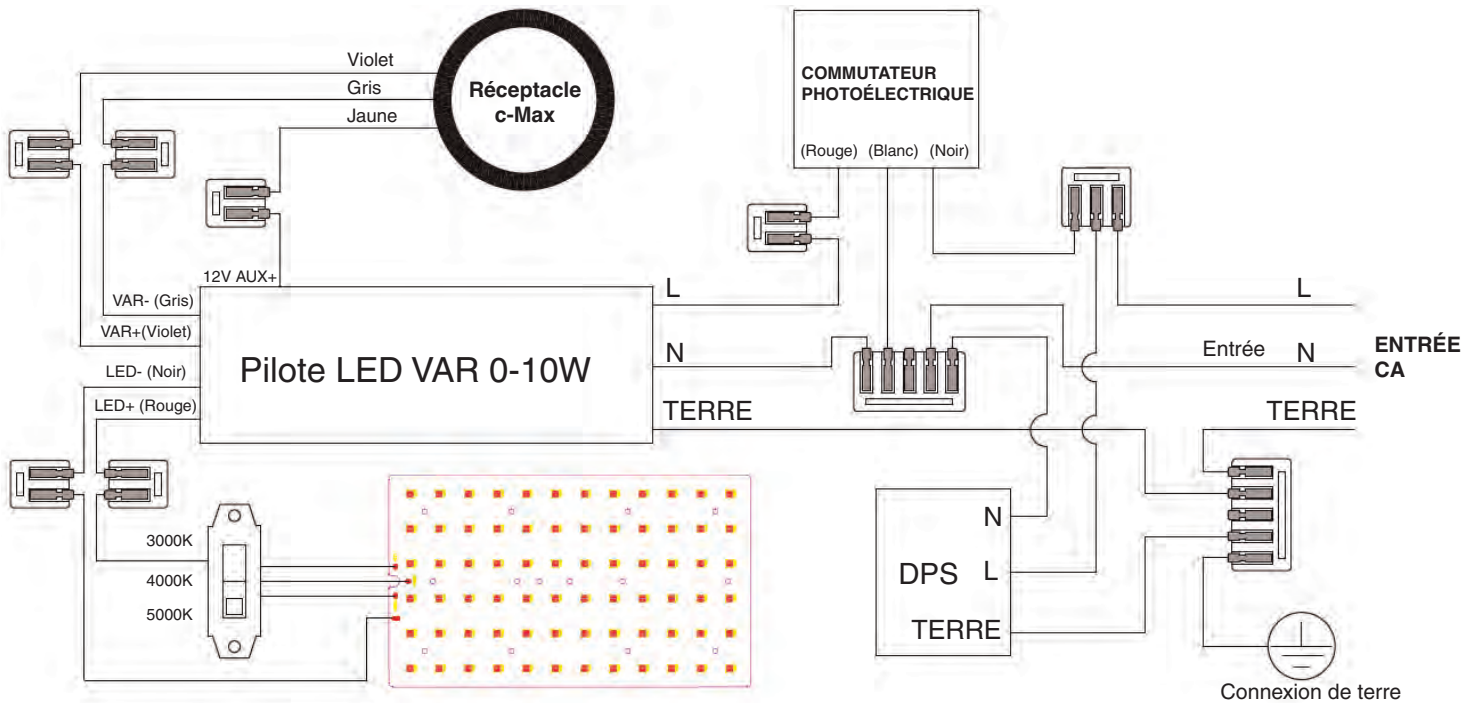
FIG A: Câblage standard avec réceptacle c-Max™.



REMARQUE: DPS standard uniquement pour les modèles M125, M150, M200, M250 et M320

REMARQUE: Les modèles M320 ont un fil Vaux connecté au fil VAR- (Gris)

FIG B: Câblage avec commande photoélectrique de la tension secteur.



REMARQUE: Standard SPD uniquement pour les modèles M125, M150, M200, M250 et M320

REMARQUE: Les modèles M320 ont un fil Vaux connecté au fil VAR- (Gris)



## Série M à LED MaxLite®

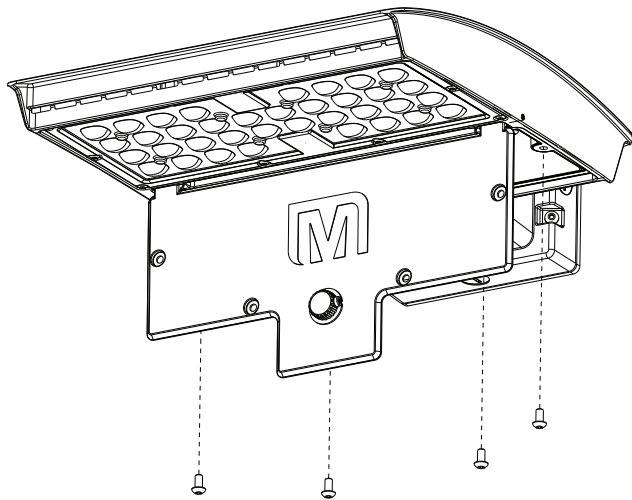


**REMARQUE:** Le modèle de 75W/100W est utilisé dans les illustrations ci-dessous pour la démonstration.  
Votre modèle peut être différent.

### Réglage de la température de couleur (TCP):

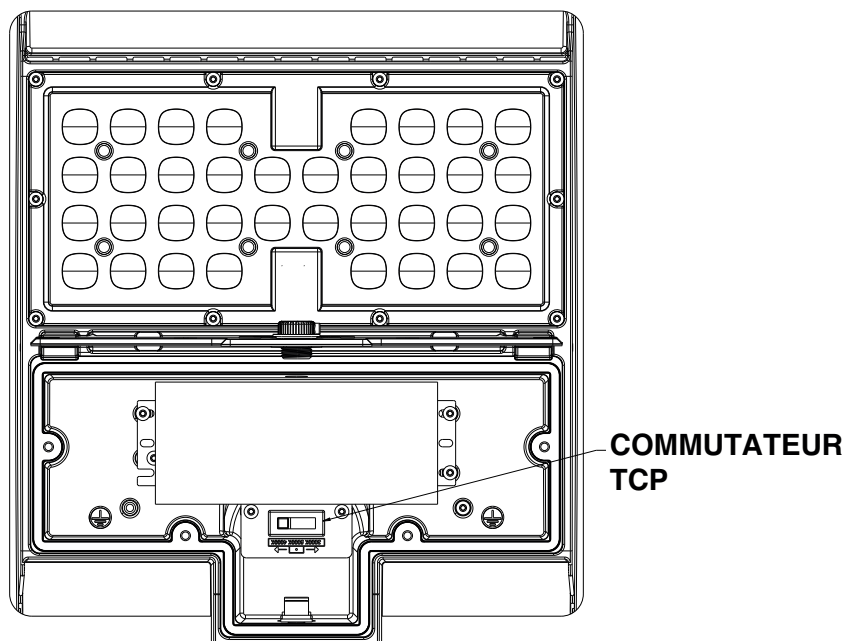
**REMARQUE:** Selon le CCT sélectionné et en raison de la conception du mélange de couleurs, toutes les LED peuvent ne pas s'allumer.

1. Enlevez les vis M4 à têtes hexagonales du couvercle du compartiment du pilote et ouvrez le couvercle à charnière pour accéder au compartiment du pilote (voir la **FIG. A**).



**FIG. A**

2. Réglez le commutateur TCP à la température de couleur désirée, ensuite fermez le couvercle du compartiment du pilote en serrant les vis enlevées à l'étape 1. Assurez-vous que tous les fils sont à l'intérieur du compartiment et que les vis sont bien serrées, afin de prévenir l'infiltration de l'eau (voir la **FIG. B**).



**FIG. B**

Série M à LED MaxLite®



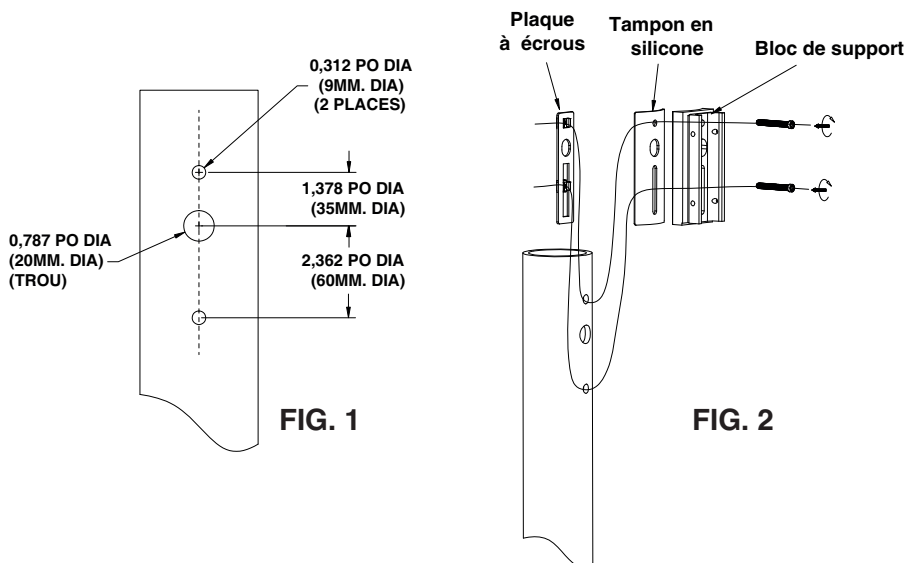
Respectez les instructions d'installation adéquates en fonction de la méthode de montage choisie:

- A. Montage sur bras droit
- B. Montage sur bras flexible
- C. Montage à raccord lisse
- D. Montage sur tourillon
- E. Montage fixe sur le mur
- F. Montage variable sur le mur

**Installation et fonctionnement**

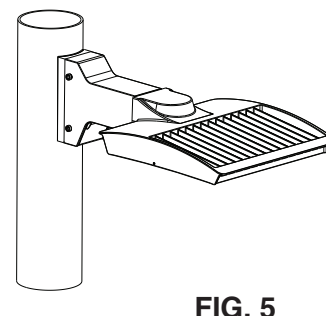
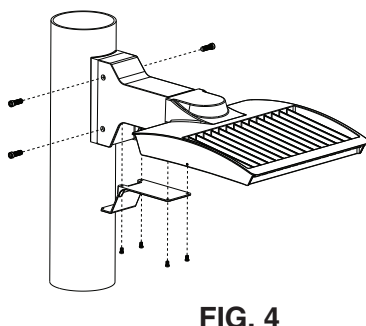
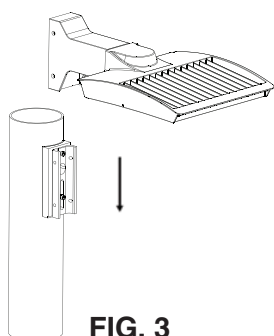
**A: Montage sur bras droit:**

Le luminaire peut être monté sur un poteau à profil rond ou carré, à l'aide d'une plaque de montage adaptatrice. La plaque de montage a un modèle à fentes qui couvre beaucoup de modèles de fentes. Au cas où il n'y a pas de modèle de fentes ou si les fentes sont en dehors de l'intervalle des fentes, percez des trous en conformité avec le modèle dans la FIG. 1. Installez la plaque de montage en conformité avec la FIG. 2.



Trois plaques adaptatrices différentes sont disponibles pour les poteaux à profil rond - 76,2mm, 101,6mm et 127mm (3", 4" et 5") RPA (Adaptateurs pour poteaux à profil rond)

1. Serrez la plaque à écrous et l'adaptateur sur le poteau (voir la FIG. 2).
2. Insérez le luminaire dans l'adaptateur (voir la FIG. 3).
3. Serrez les quatre (4) boulons M8 sur le bras fixe et attachez-le à l'adaptateur. Connectez les fils d'alimentation correctement, en conformité avec les schémas de câblage ci-dessus. Réalisez les connexions de câblage à l'intérieur du bras, ensuite serrez le couvercle inférieur avec les quatre (4) vis M4 (voir la FIG. 4). Les connexions de câblage peuvent aussi être réalisées à l'intérieur du poteau.
4. Vérifiez l'installation pour confirmer si le luminaire est bien fixé (voir la FIG. 5).



Série M à LED MaxLite®



Installation et fonctionnement

B: Montage sur bras flexible:

Le luminaire peut être monté sur un poteau à profil rond ou carré, à l'aide d'une plaque de montage adaptatrice. Le bras flexible peut être orienté de 0 à 60° vers le haut ou vers le bas par incréments de 20° (voir la FIG. 1). La plaque de montage a un modèle à fentes qui couvre beaucoup de modèles de fentes. Au cas où il n'y a pas de modèle de fentes ou si les fentes sont en dehors de l'intervalle des fentes, percez des trous en conformité avec le modèle dans la FIG. 2. Installez la plaque de montage en conformité avec la FIG. 3.

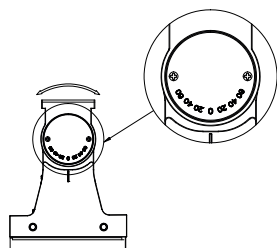


FIG. 1

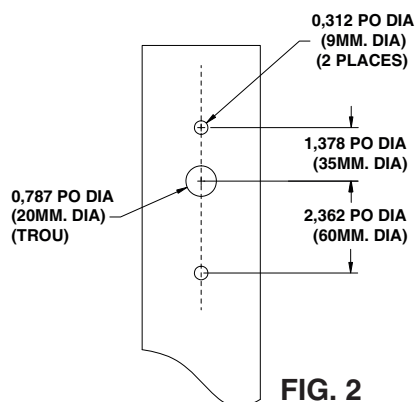


FIG. 2

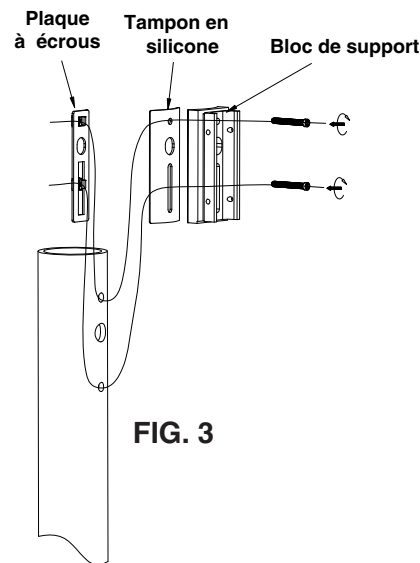


FIG. 3

Plusieurs adaptateurs sont disponibles, y compris l'adaptateur carré pour poteaux, l'adaptateur rond pour poteaux de 75 mm (3") (RPA), 100 mm (4") RPA, et 125 mm (5") RPA.

1. Serrez la plaque à écrous et l'adaptateur sur le poteau (voir la FIG. 3).
2. Insérez le luminaire dans l'adaptateur (voir la FIG. 4).
3. Serrez les quatre (4) boulons M8 sur le bras fixe et attachez-le à l'adaptateur. Connectez les fils d'alimentation correctement, en conformité avec les schémas de câblage ci-dessus. Réalisez les connexions de câblage à l'intérieur du bras et serrez le couvercle inférieur avec les quatre (4) vis M4 (voir la FIG. 5). Les connexions de câblage peuvent aussi être réalisées à l'intérieur du poteau.
4. Pour orienter le luminaire, enlevez la plaque de couverture, desserrez le boulon central d'articulation M10 sur le bras, orientez de 0 à 60° vers le haut ou vers le bas pour ajuster l'angle désiré de montage (voir la FIG. 6).
5. Vérifiez l'installation pour confirmer si le luminaire est bien fixé (voir la FIG. 7).

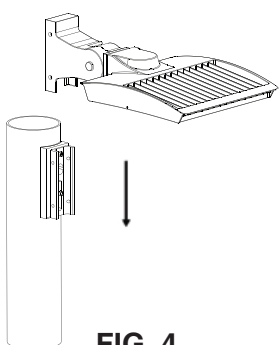


FIG. 4

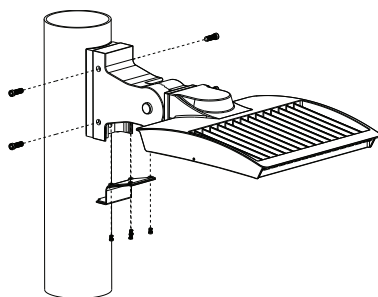


FIG. 5

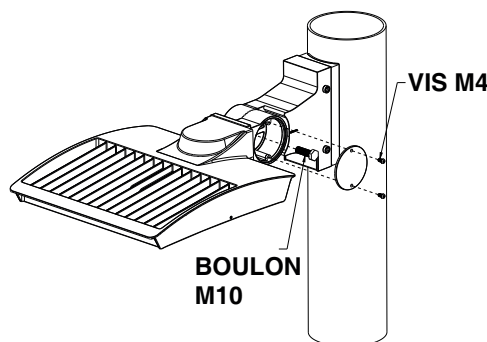


FIG. 6

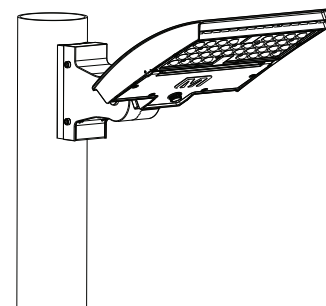


FIG. 7

Série M à LED MaxLite®



Installation et fonctionnement

C: Montage à raccord lisse:

1. Connectez les fils d'alimentation électrique aux fils d'entrée du luminaire (voir les Schémas de câblage ci-dessus). Posez les fils dans le poteau et insérez le raccord lisse (voir la FIG. 1).  
**Remarque:** s'adapte sur les tenons OD de 60mm - 76mm (2 3/8" - 3")
2. Serrez les quatre (4) vis de réglage sur le raccord lisse et fixez-le au poteau (voir la FIG. 2).
3. Pour orienter le luminaire, enlevez la plaque de couverture, desserrez le boulon central d'articulation M10 sur le bras et ajustez l'angle désiré du bras (voir la FIG. 3).

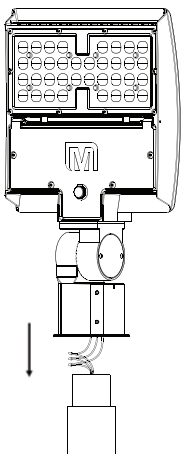


FIG. 1

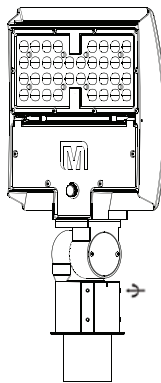


FIG. 2

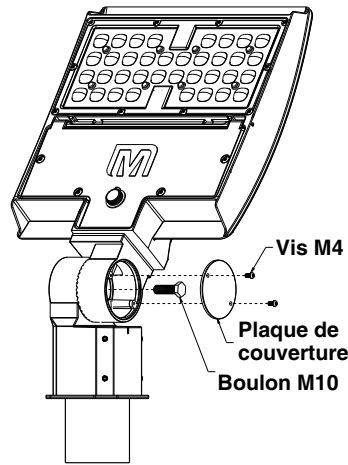


FIG. 3

D: Montage sur tourillon:

1. Le support à tourillon peut être installé en utilisant deux (2) boulons M12. Consultez la FIG. 1 pour les dimensions de perçage.  
**REMARQUE:** Boulons non fournis. Fournis par le client.
2. Une fois le(s) trou(s) de montage percé(s), fixez le support du luminaire sur la surface de montage.
3. Ajustez l'angle désiré du luminaire en desserrant les boulons centraux et en enlevant les vis à tête cylindrique. Une fois l'angle désiré du luminaire ajusté, serrez les vis à tête cylindrique pour fixer le luminaire (voir la FIG. 2).

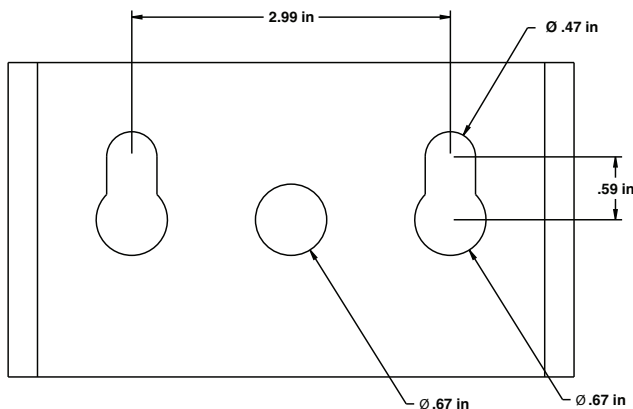


FIG. 1

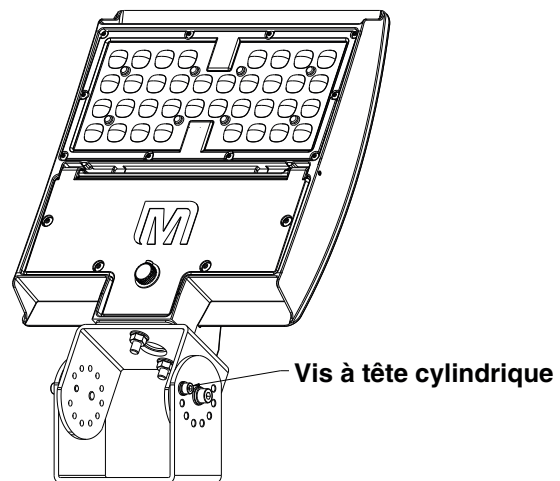


FIG. 2

## Série M à LED MaxLite®



## Installation et fonctionnement

### E: Montage fixe sur le mur:

1. Enlevez les quatre (4) vis M5 à tête hexagonale. Enlevez la plaque arrière du support mural (voir la **FIG. 1**).
2. Percez des trous dans les 4 renforcements situés dans les coins pour fixer la plaque arrière sur le mur. Percez des trous conformément au modèle correspondant au boîtier de jonction. Veuillez noter que les 4 trous situés dans les coins servent à fixer le luminaire sur le mur, pendant que les trous pour le boîtier de jonction sont conçus pour fournir la compression du joint en vue d'étanchéiser les connexions électriques. Le montage du boîtier de jonction n'a pas le but de soutenir le poids du luminaire sur le mur. (Voir la **FIG. 2**).

**REMARQUE:** matériel de montage non fourni.

3. Connectez les fils d'alimentation dans le compartiment du pilote en conformité avec les schémas de câblage ci-dessus. Resserrez les quatre (4) vis M5 à tête hexagonale que vous avez enlevées à l'étape 1 (voir la **FIG. 3**).
4. Utilisez les trous latéraux de passage des fils pour l'installation du conduit en surface.
5. Vérifiez l'installation pour confirmer si le luminaire est bien fixé.

**REMARQUE:** Ajoutez une perle de silicone pour l'extérieur autour du périmètre de l'installation murale pour bloquer l'humidité provenant des boulons de fixation.

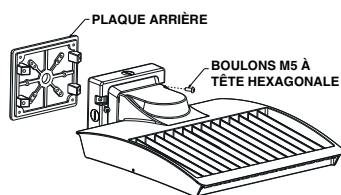


FIG. 1

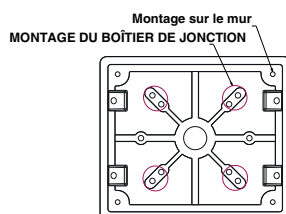


FIG. 2

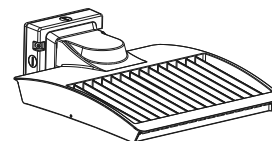


FIG. 3

### F: Montage variable sur le mur:

1. Enlevez les quatre (4) vis M5 à tête hexagonale. Enlevez la plaque arrière du support mural flexible (voir la **FIG. 1**).
2. Percez des trous dans les 4 renforcements situés dans les coins pour fixer la plaque arrière sur le mur. Percez des trous conformément au modèle correspondant au boîtier de jonction. Veuillez noter que les 4 trous situés dans les coins servent à fixer le luminaire sur le mur, pendant que les trous pour le boîtier de jonction sont conçus pour fournir la compression du joint en vue d'étanchéiser les connexions électriques. Le montage du boîtier de jonction n'a pas le but de soutenir le poids du luminaire sur le mur. (Voir la **FIG. 2**).

**REMARQUE:** matériel de montage non fourni.

3. Connectez les fils d'alimentation dans le compartiment du pilote en conformité avec les schémas de câblage ci-dessus. Resserrez les quatre (4) vis M5 à tête hexagonale que vous avez enlevées à l'étape 1 (voir la **FIG. 3**).
4. Utilisez les trous latéraux de passage des fils pour l'installation du conduit en surface.
5. Pour orienter le luminaire, enlevez la plaque de couverture, desserrez le boulon central d'articulation M10 sur le bras et ajustez l'angle désiré du bras (voir la **FIG. 4**).
6. Vérifiez l'installation pour confirmer si le luminaire est bien fixé (voir la **FIG. 5**).

**REMARQUE:** Ajoutez une perle de silicone pour l'extérieur autour du périmètre de l'installation murale pour bloquer l'humidité provenant des boulons de fixation.

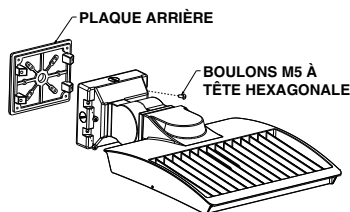


FIG. 1

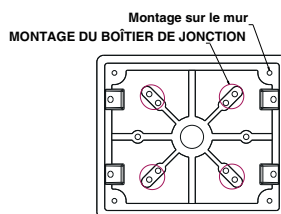


FIG. 2

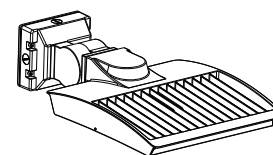


FIG. 3

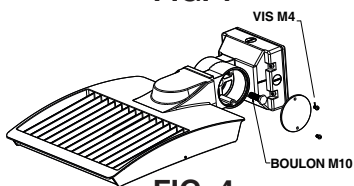


FIG. 4

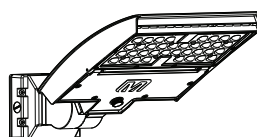


FIG. 5



## Série M à LED MaxLite®



### Instructions d'installation du noeud c-Max™ (applicables uniquement aux modèles CR)

1. Enlevez la vis de réglage du réceptacle rond c-Max™ USB-C (voir la FIG. 1).

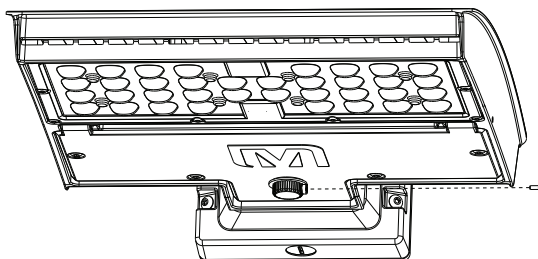


FIG. 1

2. Enlevez le couvercle du réceptacle USB-C en le tournant à 90° (voir la FIG. 2).

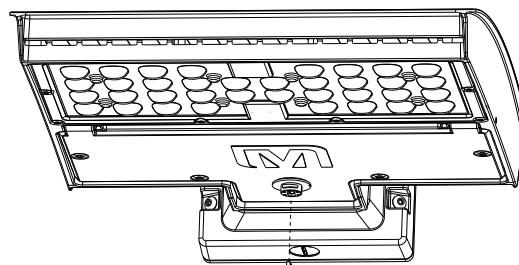


FIG. 2

JOINT DU RÉCEPTACLE  
COUVERCLE DU RÉCEPTACLE

3. Branchez le noeud de commande c-Max™ dans le réceptacle USB-C (voir la FIG. 3).

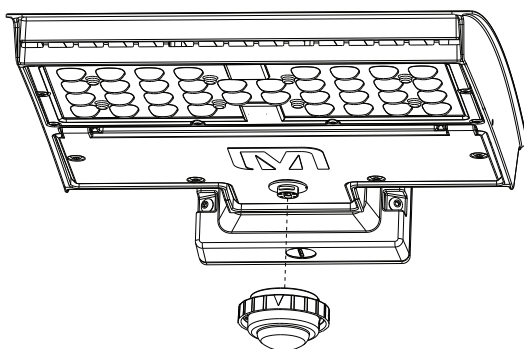


FIG. 3

4. Tournez l'anneau extérieur jusqu'à ce que les flèches s'alignent (voir la FIG. 4).  
**Remarque:** Ceci est important pour étanchéiser le luminaire.

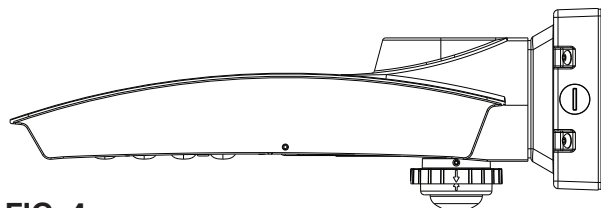


FIG. 4

5. Fixez le noeud de commande avec la vis de réglage fournie.  
**Remarque:** Ceci est important pour prévenir les dégâts provoqués par les actes de vandalisme et les vibrations.

## Série M à LED MaxLite®

**Installation EM optionnelle:**

Si votre luminaire a été livré avec une unité de secours à batterie préinstallée, suivez ces étapes pour l'installation.

1. Utilisez un tournevis à tête plate pour enlever le capuchon du trou de passage à l'arrière du boîtier d'extension EM (voir la **FIG. 1**).
2. Enlevez les douze (12) vis M4 à tête hexagonale et mettez-les de côté pour une utilisation ultérieure. Séparez le luminaire et le couvercle de l'extension EM du boîtier d'extension EM (voir la **FIG. 2**).
3. Percez des trous de montage dans les quatre (4) coins du boîtier d'extension EM en vue de l'installation sur le mur. Percez à travers les emplacements surélevés sur le modèle du boîtier de jonction au centre du boîtier, correspondant aux points de montage sur le boîtier de montage visé (voir la **FIG. 3**). Installez le boîtier d'extension sur le mur et le boîtier de jonction en utilisant ces trous percés. **REMARQUE:** matériel de montage non fourni.
4. Accrochez le luminaire et le couvercle de l'extension EM au boîtier d'extension EM. Laissez le luminaire accroché aux supports pour faciliter le processus de câblage (voir la **FIG. 4**).
5. Tirez les fils d'entrée à travers le trou dans le boîtier d'extension EM et réalisez les connexions de câblage en respectant les schémas de câblage ci-dessous (E0 ou E2).
6. Remettez le couvercle de l'extension EM sur le boîtier d'extension. Assurez-vous que le joint d'étanchéité est adapté à l'espace entre le couvercle et le boîtier. Fixez le couvercle au boîtier en utilisant les douze (12) vis M4 que vous avez enlevées à l'étape 1 (voir la **FIG. 5**).

**REMARQUE:** Ajoutez une perle de silicone pour l'extérieur autour du périmètre de l'installation murale pour bloquer l'humidité provenant des boulons de fixation.

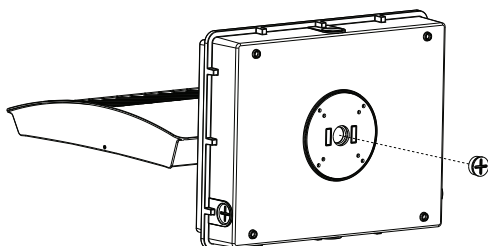


FIG. 1

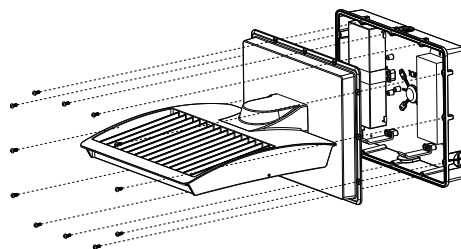


FIG. 2

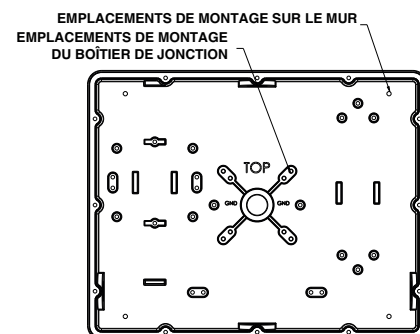


FIG. 3

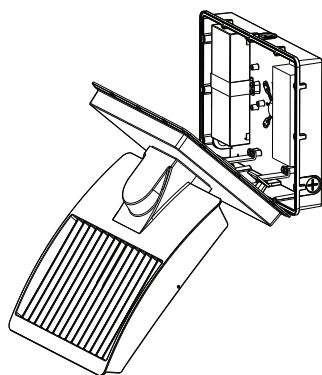


FIG. 4

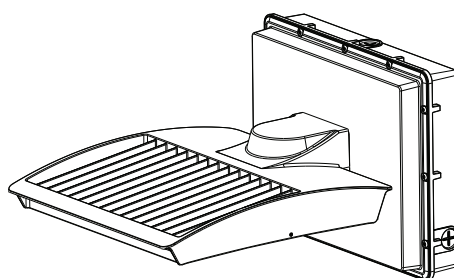


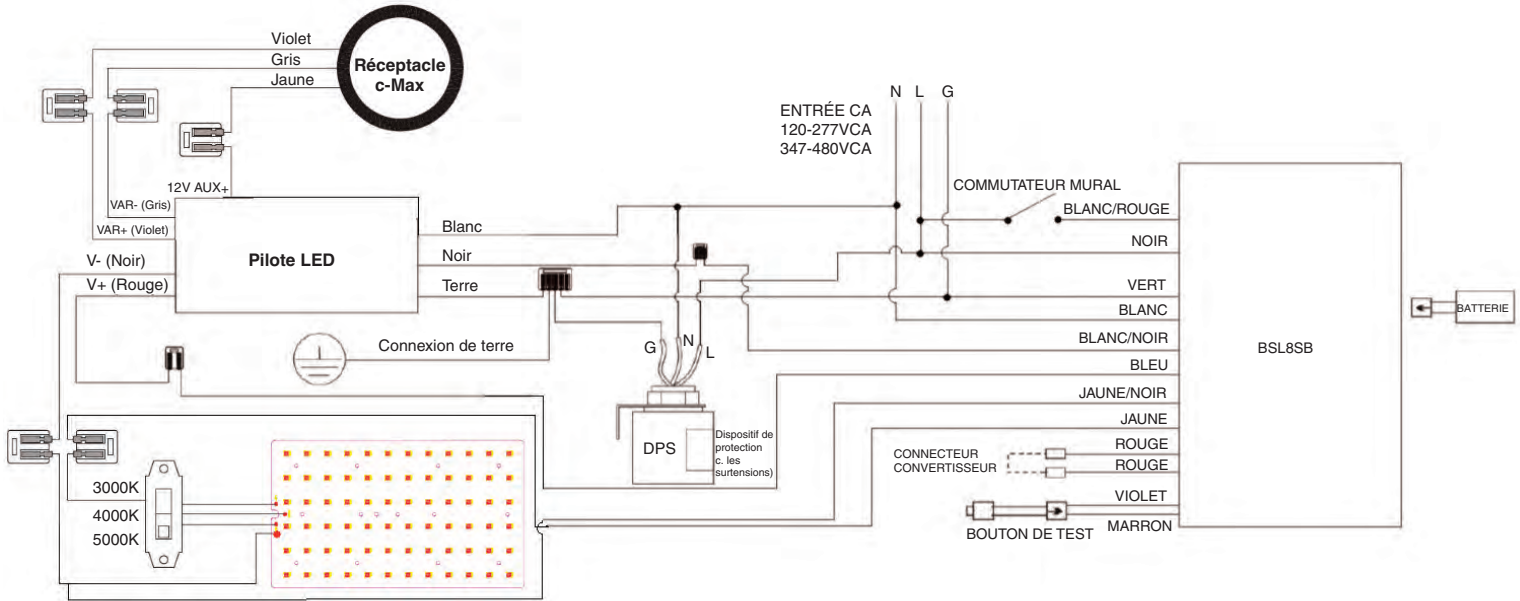
FIG. 5

Série M à LED MaxLite®



Schémas de câblage EM

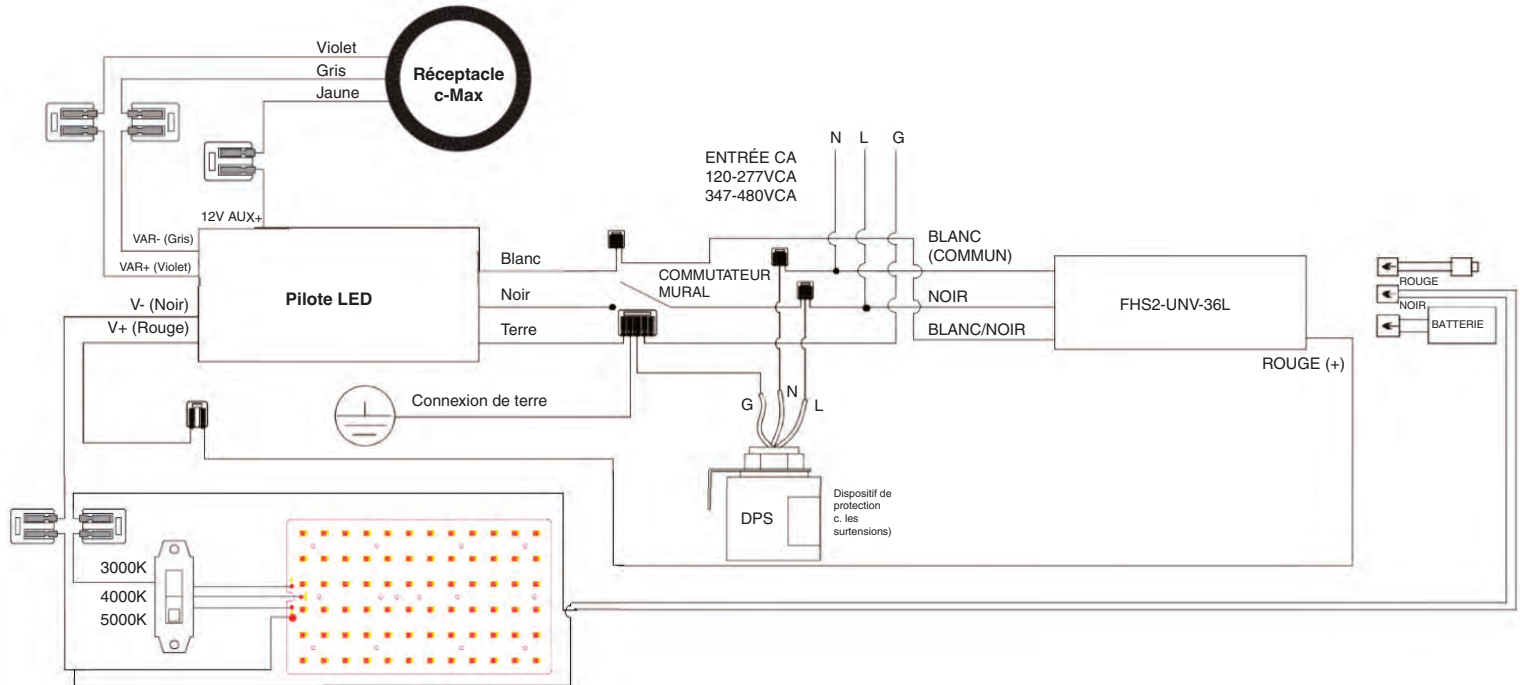
FIG A: Câblage standard avec -20C EM



**REMARQUE:** DPS standard uniquement pour les modèles M125, M150, M200, M250 et M320

**REMARQUE:** Les modèles M320 ont un fil Vaux- connecté au fil VAR- (Gris)

FIG B Câblage standard avec 0C EM



**REMARQUE:** DPS standard uniquement pour les modèles M125, M150, M200, M250 et M320

**REMARQUE:** Les modèles M320 ont un fil Vaux- connecté au fil VAR- (Gris)

**Série M à LED MaxLite®****Entretien**

L'unité a été conçue pour des années de fonctionnement avec un entretien minime. Pour la meilleure performance, nettoyez la lentille périodiquement avec un chiffon mou et une solution de nettoyage non-abrasive pour verre. NE PAS utiliser de solvants ou de solutions de nettoyage contenant des substances abrasives. Lors du nettoyage du luminaire, assurez-vous d'avoir débranché l'alimentation et de ne pas pulvériser le liquide de nettoyage directement sur l'unité LED ou sur le câblage.

## Série M à LED MaxLite®

**Informations de garantie**

MaxLite Inc. garantit ses produits pour une période minimale de **DIX (10)** ans à partir de la date de l'achat de MaxLite ou son distributeur / revendeur autorisé (la « Période de Garantie »), comme suit: Si un Produit ne fonctionne pas correctement pendant la Période de Garantie suite à des défauts de matériaux ou de fabrication, MaxLite va, à sa discrétion, réparer ou remplacer le produit avec un modèle identique ou similaire.

Veuillez consulter le site web de Maxlite (sur <http://maxlite.com/resources/warranties>) pour la version complète des termes et conditions de garantie.

## Limitation de Responsabilité

LA GARANTIE QUI PRÉCÈDE EST EXCLUSIVE ET REPRÉSENTE LE SEUL RECOURS POUR TOUTES LES RÉCLAMATIONS, QU'ELLES SOIENT CONTRACTUELLES, CIVILES OU AUTREMENT DÉCOULANT DE LA DÉFAILLANCE DU PRODUIT ET REMPLACE TOUTES LES AUTRES GARANTIES, EXPRESSES OU IMPLICITES, Y COMPRIS TOUTES LES GARANTIES DE COMMERCIALISATION OU L'ADÉQUATION À UN USAGE PARTICULIER DONT LES GARANTIES SONT EXPRESSÉMENT DÉCLINÉES DANS LA MESURE PERMISE PAR LA LOI ET, EN TOUT CAS, SONT LIMITÉES À LA PÉRIODE DE GARANTIE SPÉCIFIÉE CI-DESSUS. LA RESPONSABILITÉ DE MAXLITE EST LIMITÉE AUX TERMES DE LA GARANTIE EXPRESSE DÉFINIE DANS LES PRÉSENTES. MAXLITE NE SERA EN AUCUN CAS RESPONSABLE DES DOMMAGES PARTICULIERS, ACCESSOIRES OU CONSÉCUTIFS, Y COMPRIS, SANS S'Y LIMITER, LES DOMMAGES RÉSULTANT DE LA PERTE D'UTILISATION, DES BÉNÉFICES, DES AFFAIRES OU DE LA BONNE VOLONTÉ, DES FRAIS DE MAIN D'OEUVRE, DES FRAIS DE DÉMÉNAGEMENT OU D'INSTALLATION, DE LA DIMINUTION DU NIVEAU DE LUMIÈRE DE LA LAMPE, ET / OU LA DÉTÉRIORATION DES PERFORMANCES DE LA LAMPE, QUE MAXLITE SOIT AVERTI OU NON DE CETTE POSSIBILITÉ. EN AUCUN CAS LA RESPONSABILITÉ DE MAXLITE POUR UN PRODUIT DÉFECTUEUX NE DÉPASSERA LE PRIX D'ACHAT DE CE PRODUIT. LES SERVICES DE GARANTIE FOURNIS EN VERTU DE CES TERMES ET CONDITIONS NE GARANTISSENT PAS LE FONCTIONNEMENT ININTERROMPU DES PRODUITS; MAXLITE NE SERA PAS RESPONSABLE DES DOMMAGES CAUSÉS PAR TOUT RETARD IMPLIQUANT LA RÉPARATION SOUS GARANTIE.

Cette garantie limitée vous donne des droits légaux spécifiques et vous pouvez également avoir d'autres droits qui peuvent varier d'un État à l'autre. Puisque certains États ou juridictions n'autorisent pas l'exclusion ou la limitation de responsabilité pour les dommages indirects ou accessoires, cette limitation peut ne pas s'appliquer à vous.