

PROJECT NAME: \_\_\_\_\_  
 NOTES: \_\_\_\_\_

CAT. #: \_\_\_\_\_  
 FIXTURE SCHEDULE: \_\_\_\_\_

# Slim AE Area Fixtures



80W/100w with Slipfitter

150W with Slipfitter



300W with Arm



450W with Arm

## Product Description

The Slim AE Area Fixture delivers high efficacy in a lightweight design that can be effortlessly installed on new and retrofit outdoor projects. This family covers virtually every pole mounted need. It also offers tremendous versatility with CCT/wattage selectability and field installable c-Max control capability standard. Additionally you have choices between 3 lenses, 2 mountings and 480V. All of this delivered with a 10 year warranty and a competitive price bringing you maximum value for your area project.

## Features

- Controls Ready with the ability to field install a variety of c-Max controls along with upgrades in the future
- CCT selectable between 3000/4000/5000K (450W is dedicated CCT)
- Wattage selectable on most versions
- Universal 120-277V standard, high voltage 277-480V option
- 10kA surge protection included in addition to driver surge protection, option for higher 20kA protection
- ANSI 3G vibration rated
- TAA compliance available - contact Maxlite for details
- Available in two mountings - Flexible Arm or Slipfitter
- Arm fits both square or round poles

## Warranty

- 10 year standard

## Model Selection

FAMILY	WATTAGE	VOLTAGE	DISTRIBUTION	-	CCT	FINISH	MOUNTING	CONTROL OPTIONS INCLUDED	ADDITIONAL CONTROL OPTIONS	SURGE
AE = Slim Area	80 = 80W 100 = 100W 150 = 150W 300 = 300W	U = 120-277V H = 277-480V	T3 = Type 3 T4 = Type 4 T5 = Type 5	-	80/100/150/300W	B = Bronze L = Black W = White  <i>Contact Maxlite for additional finishes</i>	F = Flexible Arm K = Slipfitter (2 3/8" OD)	Blank = CR disconnected for PR7 option CR = Controls ready for c-Max Controls (standard)	Blank = No Options RPC = 3pin Twist Lock receptacle (CR remains functional) PR7 = 7pin Twist Lock receptacle (CR disconnected)  <i>Twist Lock Receptacles Factory Installed</i>	Blank = 6kV+10kA Surge Protection Standard S = 20kA Surge Protection  <i>Factory Installed</i>
	WCS = CCT/Wattage Selectable (3/4/5K)				450W					
	450 = 450W				W30 = 3K/Wattage Selectable W40 = 4K/Wattage Selectable W50 = 5K/Wattage Selectable  <i>For wattage choices on Wattage Selectable please see specification chart</i>					

## Slim AE Area Fixtures

### Accessories

ORDER CODE	MODEL NUMBER	DESCRIPTION	IMAGE
110232	AE-BLS80-100W	BACK LIGHT SHIELD FOR 80/100W AE, FIELD INSTALLABLE, 1 PER FIXTURE, BLACK, INCLUDES HARDWARE	
110233	AE-BLS150W	BACK LIGHT SHIELD FOR 150W AE, FIELD INSTALLABLE, 1 PER FIXTURE, BLACK, INCLUDES HARDWARE	
110234	AE-BLS200-300W	BACK LIGHT SHIELD FOR 200/300W AE, FIELD INSTALLABLE, 1 PER FIXTURE, BLACK, INCLUDES HARDWARE	
110235	AE-BLS450W	BACK LIGHT SHIELD FOR 450W AE, FIELD INSTALLABLE, 2 PER FIXTURE, BLACK, INCLUDES HARDWARE	
105038	PCTL-UNV	TWIST-LOCK ELECTRONIC PHOTOCONTROL 120/208/240/277V (USED WITH RPC OPTION, NOT C-MAX)	
105866	PCTL-HV	TWIST-LOCK ELECTRONIC PHOTOCONTROL 480V (USED WITH RPC OPTION, NOT C-MAX)	
96268	MLRTLPCRSP	SHORTING CAP FOR NEMA TWIST LOCK PHOTOCELL RECEPTACLE (3, 5 OR 7 PIN)	
<b>c-Max Basic</b>			
105567	CN-REMOTE	C-MAX REMOTE CONTROL, AT LEAST 1 PER PROJECT TO PROGRAM MOTION SENSOR (CN-RDMSB)	
105569	CN-RDPCB†	C-MAX PHOTOCELL NODE ROUND, BRONZE, IP66, USED WITH CONTROLS READY FIXTURES	
105566	CN-RDMSB†*	C-MAX CONTROL NODE ROUND, PIR MOTION SENSOR/PHOTOCELL, BRONZE, IP66, USED WITH CONTROLS READY FIXTURES	
<b>c-Max Network</b>			
105897	NN-RDB**	NETWORK NODE ROUND, BRONZE**	
108255	NN-RDMPB**	NETWORK NODE ROUND, PIR MOTION SENSOR, PHOTOCELL, BRONZE**	
106391	NN-RDW**	NETWORK NODE ROUND, WHITE**	
105905	NN-RDMSW**	NETWORK NODE ROUND, PIR MOTION SENSOR, DAYLIGHT HARVESTING, WHITE**	

† Requires 1.5M Allen wrench

\* Requires at least 1 remote control (CN-REMOTE) per project to program

\*\* Requires c-Max App



## Slim AE Area Fixtures

Specifications	AE80 (60W,50W)	AE100 (80W,60W)	AE150 (120W,100W)	AE300 (240W,200W)	AE450 (420W,380W)
Nominal Wattage Selectable (W) & Lumens Range (lm)	80W* - 9,528-11,684 lm	100W* - 11,572-13,012 lm	150W* - 18,422-21,603 lm	300W* - 36,543-40,362 lm	450W* - 59,845-63,528 lm
	60W - 7,150-8,763 lm	80W - 9,258-10,410 lm	120W - 14,738-17,282 lm	240W - 29,234-32,290 lm	420W - 55,656-59,081 lm
	50W - 5,955-7,303 lm	60W - 6,943-7,808 lm	100W - 12,281-14,258 lm	200W - 24,118-26,639 lm	380W - 50,270-53,364 lm
Distributions	Types III, IV or V				
Efficacy (lm/w)	124-143	118-140	123 - 146	120 - 143	129 -137
CRI	≥80				
Color Temperature (K)	3000/4000/5000K Selectable (5000K default)				3000K, 4000K & 5000K
Voltage	120-277V, 277-480V Option				
Dimming	0-10V, compatible with field installable c-Max Controls standard				
Surge Protection	6kV integral to driver + 10kA stand alone standard, 20kA option				
Lumen Maintenance (L70) Hours	100,000+ Hours				
Housing	Die Cast Aluminum with corrosion resistant polyester powder coat				
Lens	Polycarbonate				
Mounting	Flexible Arm - Fits Both Square or Round Poles, Adjustable Knuckle Slipfitter (2 3/8" OD)				
Operating Temperature	-40°C/-40°F - 40°C/104°F				
Weight (lbs)	7.34 (w/ sf), 7.61 (w/ arm)	7.56(w/sf), 7.83 (w/arm)	8.99(w/ arm), 8.73 (w/ sf)	11.73(w/ arm), 11.64 (w/ sf)	20.11 (w/ sf), 21.01 (w/ arm)
EPA (sq ft) - 0° (Horizontal) / 90° (Vertical)	0.42/1.17	0.42/1.17	0.46/1.43	0.49/2.11	0.60/2.99
Warranty	10 Years (see Maxlite warranty page for details: <a href="https://www.maxlite.com/warranties">https://www.maxlite.com/warranties</a> )				

\* Default power setting



## Slim AE Area Fixtures

### DLC Chart

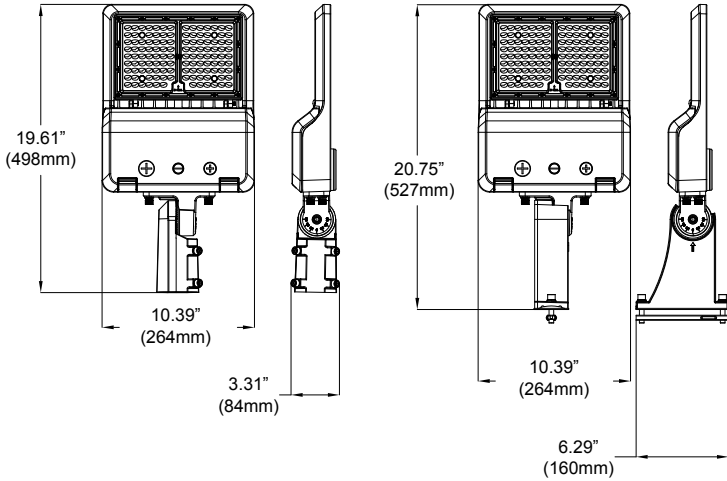
Primary Use Designation: Outdoor Pole/Arm-Mounted Area and Roadway Luminaires

MODEL #	DLC PRODUCT ID	MODEL #	DLC PRODUCT ID
AE80UT3-WCS[ALL OPTIONS]	S-SH1QZ6	AE450UT3-W30[ALL OPTIONS]	S-NGH5WZ
AE80UT4-WCS[ALL OPTIONS]	S-AB59UO	AE450UT3-W40[ALL OPTIONS]	S-JQB6UD
AE80UT5-WCS[ALL OPTIONS]	S-RQ61YP	AE450UT3-W50[ALL OPTIONS]	S-NXM5UK
AE80HT3-WCS[ALL OPTIONS]	S-1WXMS2	AE450UT3-W57[ALL OPTIONS]	S-YTCBKN
AE80HT4-WCS[ALL OPTIONS]	S-UK14AR	AE450UT4-W30[ALL OPTIONS]	S-ROEGAK
AE100UT3-WCS[ALL OPTIONS]	S-SBV0X9	AE450UT4-W40[ALL OPTIONS]	S-OSNUMW
AE100UT4-WCS[ALL OPTIONS]	S-86WPKX	AE450UT4-W50[ALL OPTIONS]	S-XDY0AO
AE100UT5-WCS[ALL OPTIONS]	S-D9SHBN	AE450UT4-W57[ALL OPTIONS]	S-29UQSF
AE100HT3-WCS[ALL OPTIONS]	S-92VHPM	AE450UT5-W30[ALL OPTIONS]	S-0MVD3T
AE100HT4-WCS[ALL OPTIONS]	S-6WIR4H	AE450UT5-W40[ALL OPTIONS]	S-GP3A7V
AE100HT5-WCS[ALL OPTIONS]	S-UQ49WF	AE450UT5-W50[ALL OPTIONS]	S-KFORJG
AE80HT5-WCS[ALL OPTIONS]	S-DMJ11B	AE450UT5-W57[ALL OPTIONS]	S-1NMGEK
AE150UT3-WCS[ALL OPTIONS]	S-QFLXC8	AE450HT3-W30[ALL OPTIONS]	S-B4JFPL
AE150UT4-WCS[ALL OPTIONS]	S-9X5372	AE450HT3-W40[ALL OPTIONS]	S-5Y342X
AE150UT5-WCS[ALL OPTIONS]	S-C19SAG	AE450HT3-W50[ALL OPTIONS]	S-D21U9E
AE150HT3-WCS[ALL OPTIONS]	S-Q7F08P	AE450HT3-W57[ALL OPTIONS]	S-6CU2GZ
AE150HT4-WCS[ALL OPTIONS]	S-A871JR	AE450HT4-W30[ALL OPTIONS]	S-S06U91
AE150HT5-WCS[ALL OPTIONS]	S-L7PQZG	AE450HT4-W40[ALL OPTIONS]	S-X932TZ
AE300UT3-WCS[ALL OPTIONS]	S-ZGDN26	AE450HT4-W50[ALL OPTIONS]	S-TUELXJ
AE300UT4-WCS[ALL OPTIONS]	S-X14ZAS	AE450HT4-W57[ALL OPTIONS]	S-C71BPS
AE300UT5-WCS[ALL OPTIONS]	S-Y0E3CH	AE450HT5-W30[ALL OPTIONS]	S-S4DHFO
AE300HT3-WCS[ALL OPTIONS]	S-M0Y5OK	AE450HT5-W40[ALL OPTIONS]	S-94P1E0
AE300HT4-WCS[ALL OPTIONS]	S-24EVZO	AE450HT5-W50[ALL OPTIONS]	S-8OGJ96
AE300HT5-WCS[ALL OPTIONS]	S-G08ZC5	AE450HT5-W57[ALL OPTIONS]	S-UI31TZ

## Slim AE Area Fixtures

### DIMENSIONS

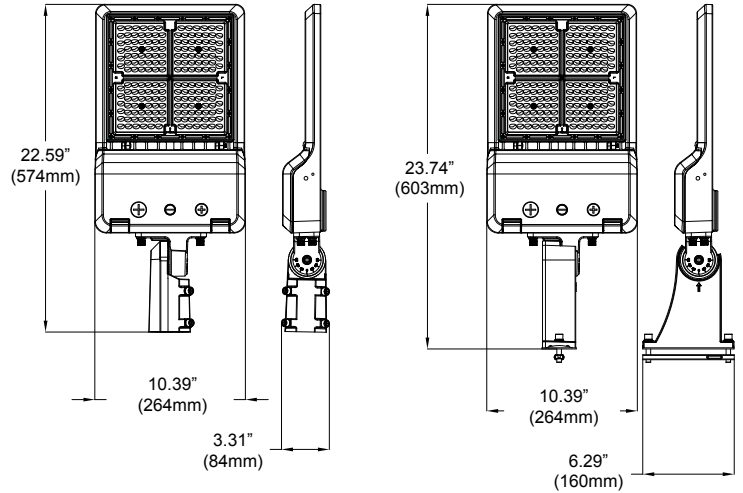
#### 80W/100W



Slipfitter

Arm

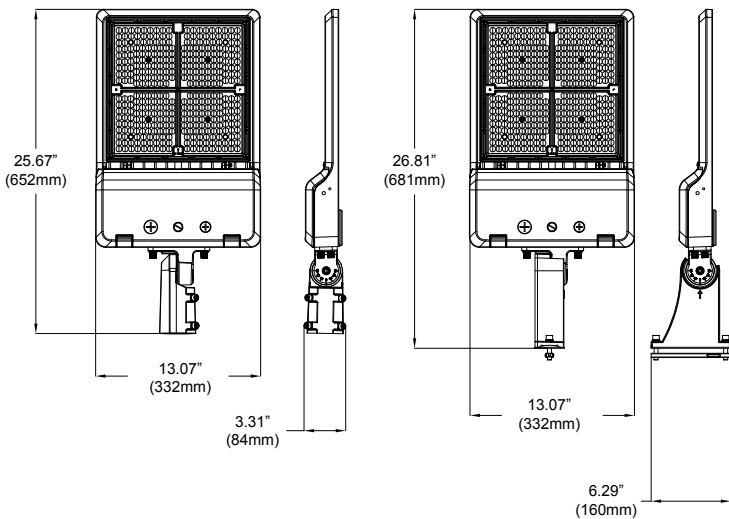
#### 150W



Slipfitter

Arm

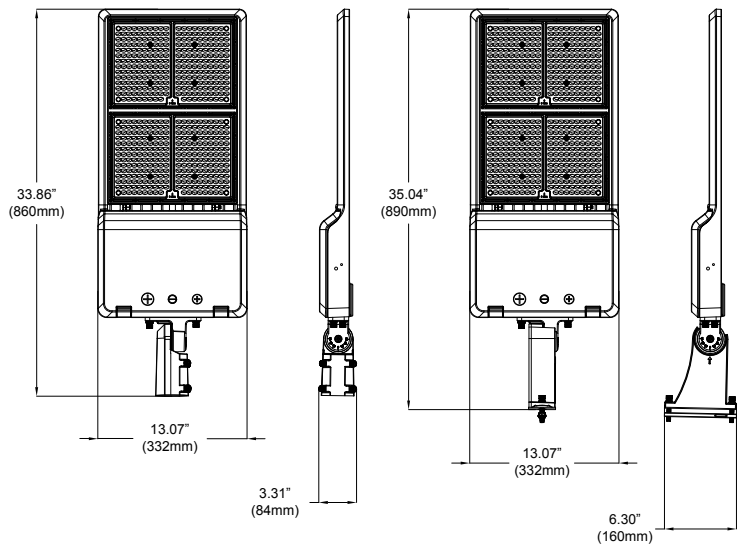
#### 300W



Slipfitter

Arm

#### 450W



Slipfitter

Arm