



PROJECT NAME: _____ CAT. #: _____
 NOTES: _____ FIXTURE SCHEDULE: _____

LED High Bay Linear HL Select Series

Product Description

The HLS LED Highbay Linear Series offers industry leading efficacy (150lm/W), customizability with CCT select switch (4000K & 5000K) and scalability with a Wattage select model, for high ceiling applications such as warehouses, distribution centers, manufacturing facilities and big box retailers. This compact highbay covers a wide range of applications with 17,000 lumens at just 1.4 ft length, all the way up to 60,000 lumens at 3.7 ft length. The product comes integrated with a sensor port for easy in-field plug and play sensor installation, compatible with Maxlite c-Max system (DLC NLC qualified), making it attractive for large utility rebates.

Features

- V-hooks and 40" knotted chain included in standard model
- On EM mode, the fixture output is a minimum of 3750lm for 90 minutes, when fully charged
- CCT Selectable available on all wattages. Fixtures are set to 5000K as a default factory setting
- UL Listed for damp locations

Warranty

- 10 year standard

Controls Ready

MaxLite's new Controls Ready (CR) fixtures allows for quick and easy in-field installation (plug and play) of controls. Simply purchase any CR fixture and the required Controls Node and you're all set! See the accessory table for all controls options available for this fixture.

Controls Features

- Multifunction and Energy Monitoring
- Daylight Sensor
- Occupancy Sensor
- Integral Sensor Receptacle
- High-End Trim
- Bluetooth
- Luminaire Level Lighting Control (LLLC)



Ordering Information

| FAMILY | - | WATTAGE | VOLTAGE | LENS | - | CCT SELECT | CONTROLS READY | BBU OPTIONS | CORDS & PLUGS ² |
|--------------------------|---|------------------------------------------------------------------------------------------------------------|--------------|------------|---|-------------------------------------|---------------------|-------------------------------------|---------------------------------------------------------------------------------------------------------------------------|
| HLS = Linear Strip Gen 3 | | SELECTABLE | U = 120-277V | F= Frosted | | CS = Color Selectable (4000K/5000K) | CR = Controls Ready | BLANK = None EM = Battery Backup | [BLANK] = None -C = Cord -C1 = 10-FT 3 Wire Cord W 5-15P (120V, 15A) -C2 = 10-FT 3 Wire Cord W L7-15P (277V,15A) |
| | | 78W = 78W/92W/114W ¹ 135W = 135W/155W/185W 200W = 200W/230W/270W 270W = 270W/340W/400W | | | | | | | |
| | | FIXED | | | | | | | |
| | | 155= 155W | | | | | | | |

1. Driver transient protection is 6KV. If additional 10KA surge protection is required, contact Maxlite.
 2. Contact Maxlite if Cord and Plug options are required for Emergency Back Up units.



10-year standard warranty with labor allowance (further details available at www.maxlite.com/warranties)

Warranty Limitations: Product must be rated for application per the Product Data Sheet (PDS); operated ≤16 hrs; in ambient temperatures -4°F to 77°F. If ambient temperatures fall outside the -4°F to 77°F range, product is warranted for 5 years according to the operating temperature range specified on the PDS. Up to \$25/unit; registration required. Additional coverage may be available for purchase; contact MaxLite. Excludes EM/MS versions; component warranty applies.






LED High Bay Linear HL Select Series

Stocked Items

| ORDER CODE | MODEL NUMBER | DLC PRODUCT ID# | PRIMARY USE DESIGNATION | CLASSIFICATION |
|------------|-------------------|-----------------|-------------------------------------------------------------|----------------|
| 110407 | HLS-078WUF-CSCR | S-7Z5L19 | High-Bay Luminaires for Commercial and Industrial Buildings | Premium |
| 110701 | HLS-135WUF-CSCR | S-22MM5K | High-Bay Luminaires for Commercial and Industrial Buildings | Premium |
| 110411 | HLS-200WUF-CSCR | S-TPP5B2 | High-Bay Luminaires for Commercial and Industrial Buildings | Premium |
| 110412 | HLS-270WUF-CSCR | S-VFFFQ7 | High-Bay Luminaires for Commercial and Industrial Buildings | Premium |
| 110409 | HLS-155UF-CSCR | S-KGY52S | High-Bay Luminaires for Commercial and Industrial Buildings | Premium |
| 110419 | HLS-078WUF-CSCREM | S-7Z5L19 | High-Bay Luminaires for Commercial and Industrial Buildings | Premium |
| 110703 | HLS-135WUF-CSCREM | S-22MM5K | High-Bay Luminaires for Commercial and Industrial Buildings | Premium |



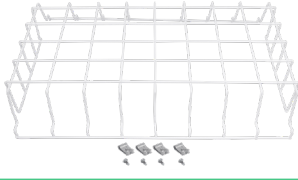







Sensor

| SENSOR | TECHNOLOGY | DIMMING | DAYLIGHT HARVESTING | REMOTE CONTROL | QR CODE |
|----------|----------------------------------------------------------|----------|----------------------------------|-------------------------------|---------------------------------------------------------------------------------------|
| CN-RDMSW | PIR motion sensing, Photoelectric | Bi-Level | Continuous Adjustment Mode (CAM) | CN-REMOTE |  |
| NN-RDMSW | PIR motion sensing, Photoelectric & Bluetooth networking | Bi-Level | Continuous Adjustment Mode (CAM) | c-Max App (iPhone or Android) |  |
| NN-RDW | Bluetooth Networking | N/A | N/A | c-Max App (iPhone or Android) |  |



LED High Bay Linear HL Select Series

Accessories (Sold Separately)

| ORDER CODE | MODEL NUMBER | DESCRIPTION | IMAGE |
|----------------------|--------------|-----------------------------------------------------------------------------------------------------------------------------|---------------------------------------------------------------------------------------|
| 110904 | HLS-PMKIT1* | PIPE MOUNT KIT FOR HLS 1.4FT (78W), 1.9FT (135W, 155W - FIXED WATTAGE), 2.6FT (200W), 3.7FT (270W) - FOR 120-277V MODELS |  |
| 110908 | HLS-SMKIT1 | SURFACE MOUNT KIT FOR HLS 1.4FT (78W), 1.9FT (135W, 155W - FIXED WATTAGE), 2.6FT (200W), 3.7FT (270W) - FOR 120-277V MODELS |  |
| 110910 | HLS-WGW1 | WIREGUARD FOR 1.4FT (78W) HLS |  |
| 110911 | HLS-WGW2 | WIREGUARD FOR 1.9FT (135W, 155W - Fixed Wattage) HLS | |
| 110912 | HLS-WGW3 | WIREGUARD FOR 2.6FT (200W) HLS | |
| 110913 | HLS-WGW4 | WIREGUARD FOR 3.7FT (270W) HLS | |
| 110914 | HLS-NLENS1 | NARROW BEAM LENS FOR 1.4FT (78W) HLS (2PC) |  |
| 110915 | HLS-NLENS2 | NARROW BEAM LENS FOR 1.9FT (135W, 155W - FIXED WATTAGE) HLS (2PC) | |
| 110916 | HLS-NLENS3 | NARROW BEAM LENS FOR 2.6FT (200W) HLS (2PC) | |
| 110917 | HLS-NLENS4 | NARROW BEAM LENS FOR 3.7FT (270W) HLS (2PC) | |
| 74138 | MLCHKLSU15 | Y CABLE WITH GRIPPER CINCH AND TOGGLES 15' |  |
| c-Max Basic | | | |
| 105567 | CN-REMOTE | CONTROL NODE REMOTE CONTROL |  |
| 105565 | CN-RDMSW | CONTROL NODE ROUND, WHITE |  |
| c-Max Network | | | |
| 106391 | NN-RDW | NETWORK NODE ROUND, WHITE |  |
| 108392 | WNS5-W | WALL NETWORK SWITCH (BLUETOOTH) WHITE |  |
| 105905 | NN-RDMSW | NETWORK NODE ROUND, WHITE |  |
| 106318 | NPP-300W | 120-277V NETWORK POWER PACK 300W MAX |  |

*Contact Maxlite, for Emergency BBU and Pendant Mounting combination.

LED High Bay Linear

HL Select Series

Specifications

| | HLS-078W | | | HLS-135W | | |
|-----------------------------------|-------------------------------------------------------------------------------------------------------------------------------------------------------------|--------------|--------------|--------------|--------------|--------------|
| Length | 1.4 FT | | | 1.9 FT | | |
| Nominal Wattage (W)** | 78W | 92W | 115W | 135W | 155W | 185W |
| Lumens Delivered (lm) | 12010, 12090 | 13980, 14070 | 17250, 17360 | 20790, 20920 | 23560, 23710 | 27750, 27930 |
| Nominal Efficacy (lm/W) | 154, 155 | 152, 153 | 150, 151 | 154, 155 | 152, 153 | 150, 151 |
| Lumens Delivered at BBU mode (lm) | 3750 lm (EM suffix) | | | | | |
| CCT* | 4000K, 5000K | | | | | |
| CRI | ≥ 80 | | | | | |
| Calculated L70 Lumen Maintenance | 100,000 hrs | | | | | |
| Beam Angle | 100° for Frosted Lens. 40° for Narrow Beam Lens | | | | | |
| Dimming Technology | 0-10V | | | | | |
| Dimming Range | 10-100% | | | | | |
| Input Voltage | 120-277V AC | | | | | |
| Surge Protection | 6 kV (Contact Maxlite, if additional surge requirements) | | | 10 kV | | |
| Power Factor | ≥ 0.9 | | | | | |
| Mounting | Suspended (Chain and V Hooks - Standard) | | | | | |
| Housing | Sheet Steel | | | | | |
| Diffuser | Frosted PMMA (Polymethyl Methacrylate) | | | | | |
| Humidity | 10% to 80% RH Non-Condensing | | | | | |
| Operating Temperature | -4°F to 122°F (-20°C to 50°C), except for BBU models. BBU models: 32°F to 122°F (0°C to 50°C) Refer to Operating Temperature Table for more information. | | | | | |
| Certifications | UL listed, RoHS Compliant, FCC | | | | | |
| Qualifications | DLC Premium | | | | | |
| Warranty | 10 years. Check maxlite.com/warranties for details | | | | | |

* Factory default CCT is 5000K.

**Factory Default wattage is set to lowest value.

LED High Bay Linear

HL Select Series

| Specifications | HLS-155 | | HLS-200W | | | HLS-270W | | |
|-----------------------------------|-------------------------------------------------------------------------------------------------------------------------------------------------------------|--------------|--------------|--------------|--------------|--------------|--------------|--|
| Length | 1.9 FT | | 2.6 FT | | | 3.7 FT | | |
| Nominal Wattage (W)** | 155W | 200W | 230W | 270W | 270W | 340W | 400W | |
| Lumens Delivered (lm) | 23400, 23250* | 30800, 31000 | 34960, 35190 | 40500, 40770 | 41580, 41850 | 51680, 52020 | 60000, 60400 | |
| Nominal Efficacy (lm/W) | 151, 150* | 154, 155 | 152, 153 | 150, 151 | 154, 155 | 152, 153 | 150, 151 | |
| Lumens Delivered at BBU mode (lm) | 3750 lm (EM suffix) | | | | | | | |
| CCT* | 4000K, 5000K | | | | | | | |
| CRI | ≥ 80 | | | | | | | |
| Calculated L70 Lumen Maintenance | 100,000 hrs | | | | | | | |
| Beam Angle | 100° for Frosted Lens. 40° for Narrow Beam Lens | | | | | | | |
| Dimming Technology | 0-10V | | | | | | | |
| Dimming Range | 10-100% | | | | | | | |
| Input Voltage | 120-277V AC | | | | | | | |
| Surge Protection | 10 kV | | | | | | | |
| Power Factor | ≥ 0.9 | | | | | | | |
| Mounting | Suspended (Chain and V Hooks - Standard) | | | | | | | |
| Housing | Sheet Steel | | | | | | | |
| Diffuser | Frosted PMMA (Polymethyl Methacrylate) | | | | | | | |
| Humidity | 10% to 80% RH Non-Condensing | | | | | | | |
| Operating Temperature | -4°F to 122°F (-20°C to 50°C), except for BBU models. BBU models: 32°F to 122°F (0°C to 50°C) Refer to Operating Temperature Table for more information. | | | | | | | |
| Certifications | UL listed, RoHS Compliant, FCC | | | | | | | |
| Qualifications | DLC Premium | | | | | | | |
| Warranty | 10 years. Check maxlite.com/warranties for details | | | | | | | |

* Factory default CCT is 5000K.

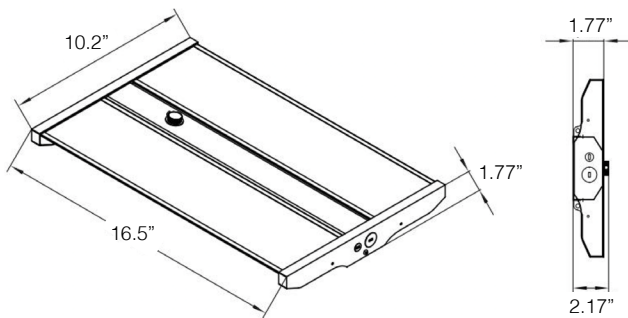
**Factory Default wattage is set to lowest value.

LED High Bay Linear HL Select Series

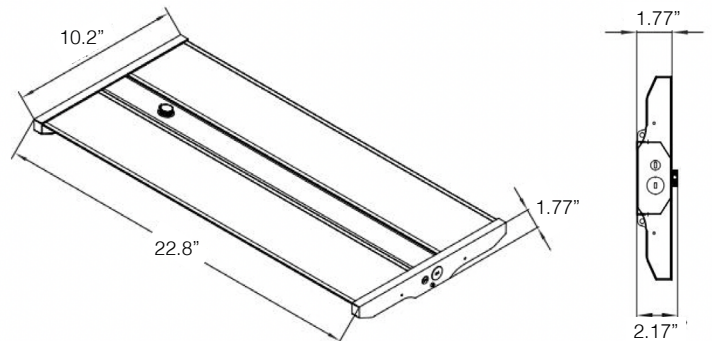
HLS Operating Temperature

| MODEL NUMBER & LENGTH OF HOUSING | | 120-277V LUMINAIRE | 120-277V LUMINAIRE WITH BATTERY BACK UP UNIT | 120-277V LUMINAIRE WITH HLS-PMKITX | 120-277V LUMINAIRE WITH BATTERY BACK UP UNIT & HLS-PMKITX |
|----------------------------------|-------|----------------------------------|----------------------------------------------|---------------------------------------------------------------------------------------------------------------------|-----------------------------------------------------------|
| HLS-078WUF-CSCR | 1.4ft | -4°F to 122°F (-20°C to 50°C) | 89.6°F to 113°F (32°C to 45°C) | -4°F to 113°F (-20°C to 45°C) Applies when the luminaire is suspended at least 18 inches from the ceiling | 89.6°F to 113°F (32°C to 45°C) |
| HLS-155UF-CSCR | 1.9ft | | | | 89.6°F to 104°F (32°C to 40°C) |
| HLS-135WUF-CSCR | 1.9ft | | | | 89.6°F to 104°F (32°C to 40°C) |
| HLS-200WUF-CSCR | 2.6ft | | | | 89.6°F to 113°F (32°C to 45°C) |
| HLS-270WUF-CSCR | 3.7ft | | | | 89.6°F to 104°F (32°C to 40°C) |

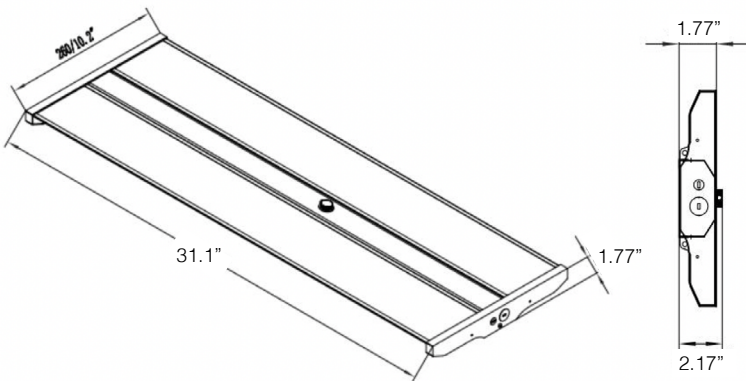
Dimensions



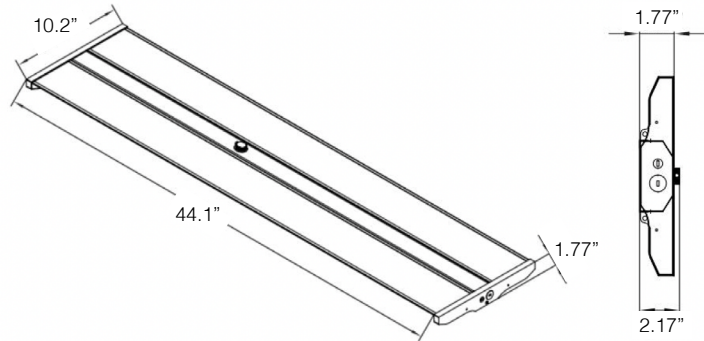
1.4 FT - 78W/ 92W/ 115W (Wattage Selectable)



1.9 FT - 135W/ 155W/ 185W (Wattage Selectable), 155W (Fixed Wattage)



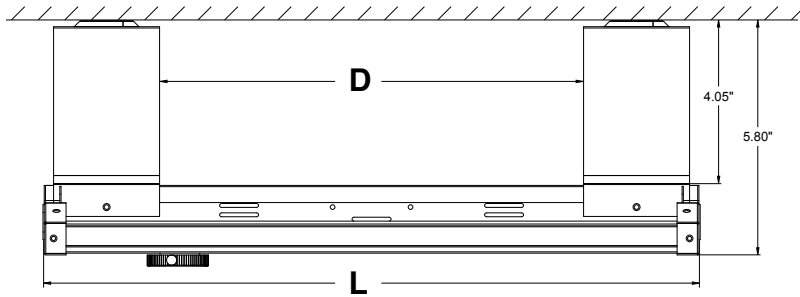
2.6 FT - 200W/ 230W/ 270W (Wattage Selectable)



3.7 FT - 270W/ 340W/ 400W (Wattage Selectable)

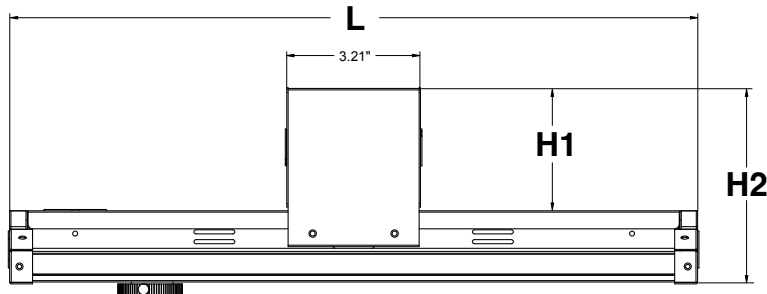
LED High Bay Linear HL Select Series

Surface Mount Kit Dimensions (For 120-277V Models)



| | LENGTH OF FIXTURE (L) | INNER DISTANCE BETWEEN THE 2 SMK BRACKETS (D) |
|--------------------------|-----------------------|-----------------------------------------------|
| 1.4FT - 78W/92W/135W | 16.54" | 10.71" |
| 1.9FT - 135W/155W/185W | 22.83" | 17.01" |
| 2.6FT - 200W/230W/ 270W | 31.10" | 25.28 |
| 3.7FT - 270W/ 340W/ 400W | 44.09" | 38.27" |

Pipe Mount Kit Dimensions (For 120-277V Models)



| | LENGTH OF FIXTURE (L) | HEIGHT FROM TOP OF THE PMK BRACKET TO THE TOP OF THE HOUSING (H1) | HEIGHT FROM TOP OF THE PMK BRACKET TO THE BOTTOM OF THE HOUSING (H2) |
|--------------------------|-----------------------|-------------------------------------------------------------------|----------------------------------------------------------------------|
| 1.4FT - 78W/92W/135W | 16.54" | 2.94" | 4.70" |
| 1.9FT - 135W/155W/185W | 22.83" | 2.94" | 4.70" |
| 2.6FT - 200W/230W/ 270W | 31.10" | 2.94" | 4.70" |
| 3.7FT - 270W/ 340W/ 400W | 44.09" | 2.94" | 4.70" |