



MaxLite® LED RRC Series Downlight

General Safety Information

- To reduce the risk of death, personal injury or property damage from fire, electric shock, falling parts, cuts/abrasions, and other hazards read all warnings and instructions included with and on the fixture box and all fixture labels.
- Before installing, servicing, or performing routine maintenance upon this equipment, follow these general precautions.
- Commercial installation, service and maintenance of luminaires should be performed by a qualified licensed electrician.
- For Residential installation: If you are unsure about the installation or maintenance of the luminaires, consult a qualified licensed electrician and check your local electrical code.
- **DO NOT INSTALL DAMAGED PRODUCT!**
- This fixture is intended to be connected to a properly installed and grounded UL listed junction box.

RRC Series Contents:

Engine	1
Screw for clips (self tap)	3
Clip	3

WARNING:

- Risk of fire or electrical shock! Install this kit only in luminaires that have the construction features and dimensions shown in the photographs and/or drawings and where the input rating of the retrofit kit does not exceed the input rating of the luminaire.
- Install this kit only in luminaires that have the construction features and dimensions shown in the photographs and/or drawings and where the input rating of the retrofit kit does not exceed the input rating of the luminaire.
- Disconnect power at fuse or circuit breaker before installing or servicing.
- To prevent wiring damage or abrasion, do not expose wiring to edges of sheet metal or other sharp objects.
- Installation and servicing to be performed only by qualified personnel, If not qualified, consult an electrician.
- Do not energize the LED Engine until the protective covering has been removed and the lower trim properly installed. Do not touch the yellow surface of the LED as it may damage the light engine.

CAUTION - When using electrical equipment, basic safety precautions should always be followed, including the following:

- This unit is for recessed mounting only. Do not use in hazardous locations nor near gas or electric heaters.
- Do not use this equipment for other than the intended use.
- Install only in accordance with National Electrical Code and local regulatory agencies' requirements.
- Installation of this retrofit assembly requires a person familiar with the construction and operation of the luminaire's electrical system and the hazard involved. If not qualified, do not attempt installation. Contact a qualified electrician.
- Do not alter, relocate, or remove wiring, lampholders, power supply, or any other electrical component unless specifically mentioned in these instructions or shown in the included photographs and/or drawings.
- Only those open holes indicated in the photographs and/or drawings may be made or altered as a result of kit installation. Do not leave any other open holes in an enclosure of wiring or electrical components.
- Retrofit is rated for use in an Downlight housing, model number referenced below.
- Type IC, Inherently protected; models RR8C50UxxZ and RR9C50UxxZ are Type Non-IC.

Model: RRC Series

Additional Accessories (Sold Separately):

- RRC4-RFL 4in Reflector
- RRC6-RFL 6in Reflector
- RRC8-RFL 8in Reflector

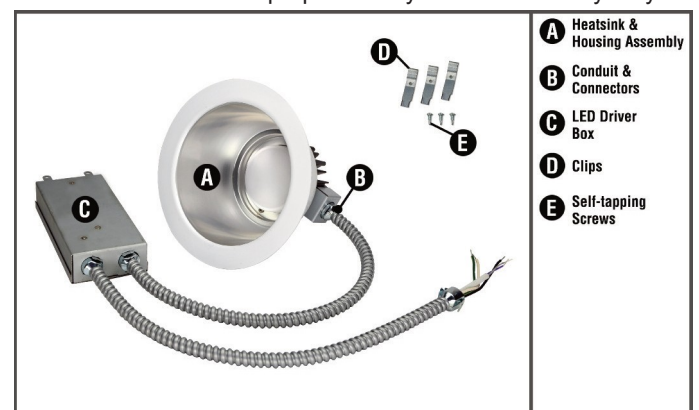
Note: The reflector is optional. When the existing luminaire reflector is used it must be sized to fit the LED retrofit kit.

LED Retrofit Kits (Sold Separately):

- RCF-4 4in Recessed Frame
- RCF-6 6in Recessed Frame
- RCF-8 8in Recessed Frame



Picture is for illustration purposes only. Your model may vary.



MaxLite® LED RRC Series Downlight

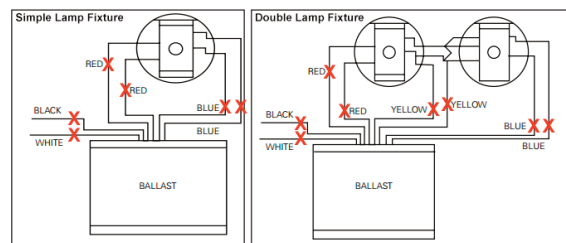


Installation & Operation

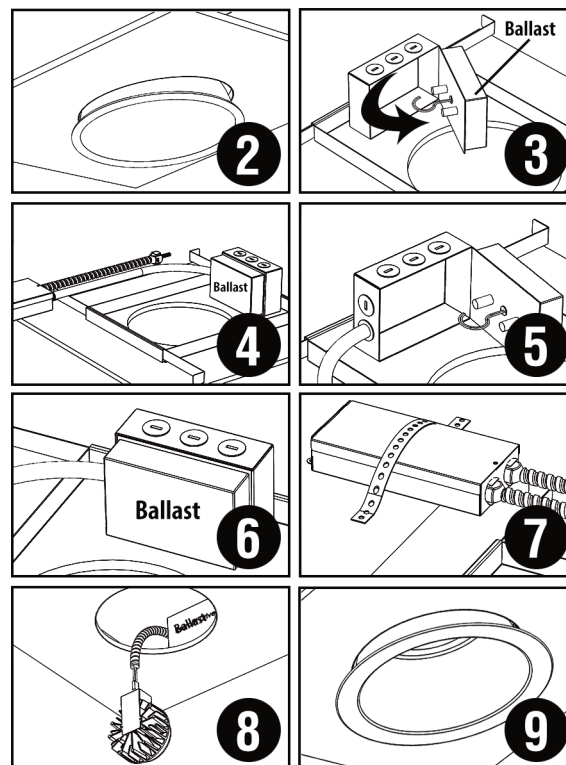


Example of existing fluorescent fixture before retrofit.

1. Disconnect power from circuit breaker
2. Remove all existing reflector/trim/lamp and remove reflector mounting hardware from mounting bracket.
3. Locate junction box, remove ballast/junction-box cover and disconnect the supply wires. Locate and disconnect any thermal protectors if found and disconnect all ballast wires connected to socket. Keep ballast on cover.
4. Place retrofit driver assembly through ceiling/housing opening and lay retrofit driver assembly away from ceiling/housing opening with driver side up. Note for 50W model (Type Non-IC), maintain 3" clearance of insulation to prevent heat build-up.
5. Remove existing conduit from junction box and feed supply wires from retrofit driver assembly through existing knock-out in junction box and insert snap-in connector into junction box.
6. Follow wiring diagram for wiring installations and then use original ballast/junction cover to completely close junction box. **Note:** for emergency backup models, connections for switched (Black) and unswitched (Red) need to be made.
7. Mount the retrofit driver assembly to plaster or building structure with any means of support (Conduit clamps, metallic plumber tape...etc)
8. Attach the reflector using the twist lock and tighten the screws to secure it in place.
9. Tuck the flexible conduit whip and the retrofit-kit into the existing housing. If the LED retrofit is not secured properly by existing hardware use supplied mounting clips from parts bag to secure the reflector properly.
10. Supply power and enjoy new RRC retrofit kit!



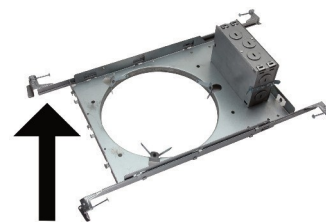
Cut all wires coming from fluorescent ballast



Installation & Operation (Recessed Frame Retrofit Kit)

After matching the correct size reflector to the correct sized frame, we can begin installation of the reflector.

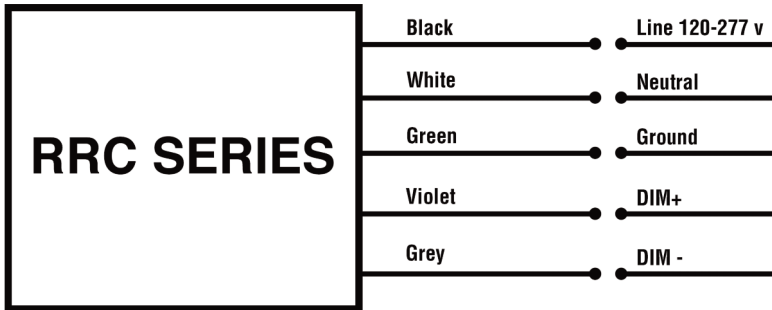
1. The correct orientation for the frame is with the junction box placed on top of the frame.
2. Slide the smaller end of the fixture reflector through the bottom of the opening and press until the lip of the fixture is flush with the bottom of the frame.





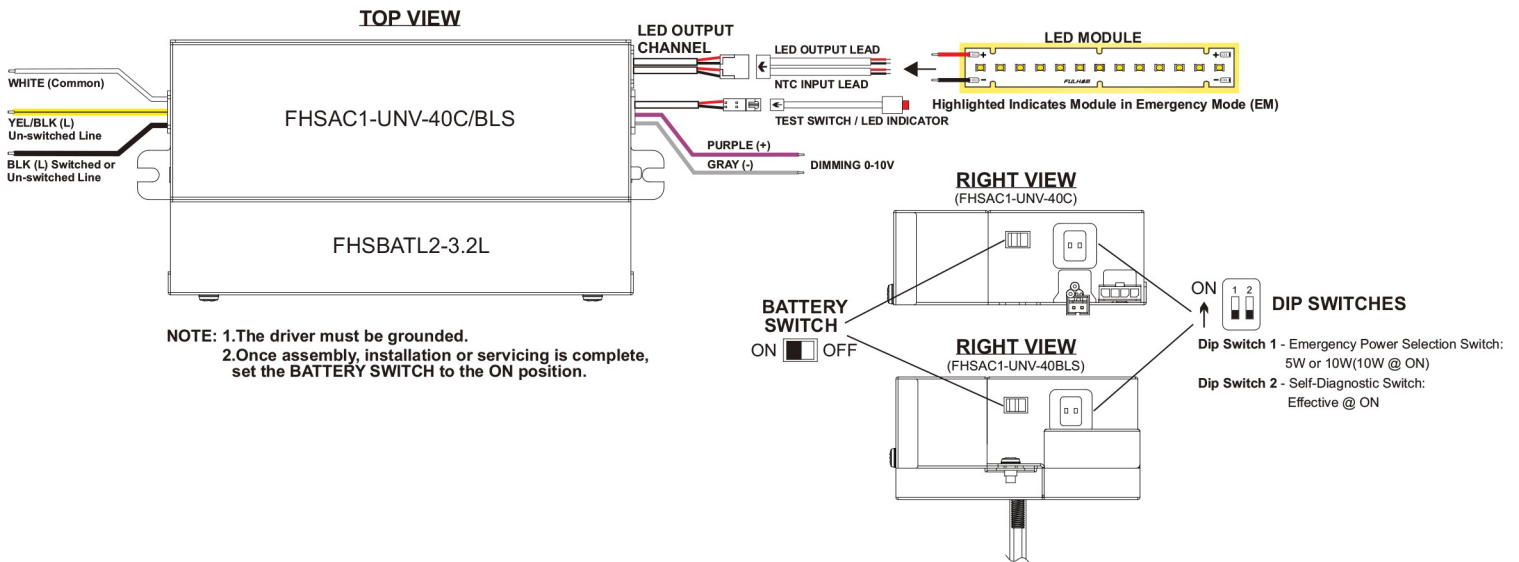
MaxLite® LED RRC Series Downlight

Wiring Diagram



Note: Violet and Grey wires for 0-10V models only. Refer to datasheet for a list of compatible dimmers.

Emergency Backup Diagram



This device complies with Part 15 of the FCC Rules. Operation is subject to the following two conditions: (1) this device may not cause harmful interference, and (2) this device must accept any interference received, including interference that may cause undesired operation.



MaxLite® LED RRC Series Downlight

Warranty Information

MaxLite Inc. warrants its products for a minimum period of **FIVE (5)** years from the earlier of the actual installation date or 90 days after the original date of purchase from a MaxLite authorized distributor/dealer (the "Warranty Period"), as follows: If a Product fails to operate during the Warranty Period as a result of defects in materials or workmanship, MaxLite will, at its option, repair it, replace it with the same or like Product.

Please refer to Maxlite's website (at <http://maxlite.com/resources/warranties>) for the complete coverage details as well as the terms and conditions of our warranty. Please note that it is NOT a requirement to register your warranty in order to initiate a warranty claim unless a Ten Year warranty has been purchased separately, or when applicable and/or purchased separately, your warranty contains a replacement labor allowance.

Limitation of Liability

THIS WARRANTY IS EXCLUSIVE, AND IS THE SOLE REMEDY FOR ANY AND ALL CLAIMS, WHETHER IN CONTRACT, IN TORT OR OTHERWISE ARISING FROM THE FAILURE OF PRODUCT AND IS IN LIEU OF ALL OTHER WARRANTIES, EXPRESS OR IMPLIED, INCLUDING ALL WARRANTIES OF MERCHANTABILITY OR FITNESS FOR A PARTICULAR PURPOSE, WHICH WARRANTIES ARE HEREBY EXPRESSLY DISCLAIMED TO THE EXTENT PERMITTED BY LAW AND, IN ANY EVENT, SHALL BE LIMITED TO THE WARRANTY PERIOD SPECIFIED ABOVE. THE LIABILITY OF MAXLITE SHALL BE LIMITED TO THE TERMS OF THE EXPRESS WARRANTY SET FORTH HEREIN. IN NO EVENT WILL MAXLITE BE LIABLE FOR ANY SPECIAL, INCIDENTAL OR CONSEQUENTIAL DAMAGES INCLUDING, WITHOUT LIMITATION, DAMAGES RESULTING FROM LOSS OF USE, PROFITS, BUSINESS OR GOODWILL, LABOR COSTS, REMOVAL OR INSTALLATION COSTS, WHETHER OR NOT MAXLITE HAS BEEN ADVISED OF THE POSSIBILITY THEREOF. UNDER NO CIRCUMSTANCES SHALL MAXLITE'S ENTIRE LIABILITY FOR A DEFECTIVE PRODUCT EXCEED THE PURCHASE PRICE OF THAT PRODUCT (EXCLUDING LABOR WARRANTY COVERAGE WHERE SPECIFICALLY OFFERED BY MAXLITE). WARRANTY SERVICES PROVIDED UNDER THESE TERMS AND CONDITIONS DO NOT ENSURE THE UNINTERRUPTED OPERATION OF PRODUCTS; MAXLITE SHALL NOT BE LIABLE FOR DAMAGES CAUSED BY ANY DELAYS INVOLVING WARRANTY SERVICE.

This Warranty gives you specific legal rights and you may also have other rights that may vary from state to state. Because some states or jurisdictions do not allow the exclusion or limitation of liability for consequential or incidental damages, such limitation may not apply to you.