

LED EM. BATTERY BACKUP • 55394

INSTALL INSTRUCTIONS



PLEASE FIND A QUALIFIED ELECTRICIAN FOR INSTALLATION. Please read the instructions before you install and use the emergency battery backup.

WARNING - Risk of fire or electric shock. LED emergency backup installation requires knowledge of luminaire electrical systems. If not qualified, do not attempt installation. Contact a qualified electrician.

CAUTION: RISK OF INJURY

- Do not use outdoors.
- Do not mount near gas or electric heaters.
- Equipment should not be mounted in locations and at heights where it will not be subjected to tampering by unauthorized personnel.
- The use of accessory equipment is not recommended and may cause an unsafe condition.
- Do not use this equipment for other than intended use.
- For use with grounded, UL Listed, Damp location rated fixture with a grounded case.
- The equipment is intended for ordinary locations and for permanent installation into one or more Listed emergency luminaires.
- Install in accordance with the National Electrical Code and local regulations.

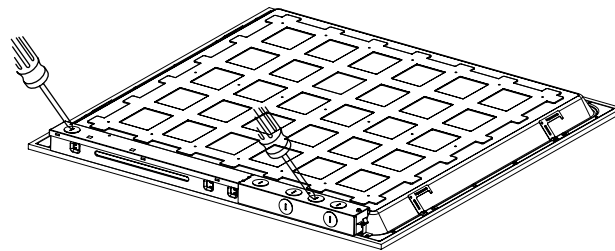


WARNING - TURN OFF POWER SUPPLY FROM MAIN CIRCUIT BREAKER BEFORE INSTALLING OR SERVICING.

INSTALLATION INSTRUCTIONS - Installation effects the whole fixture.

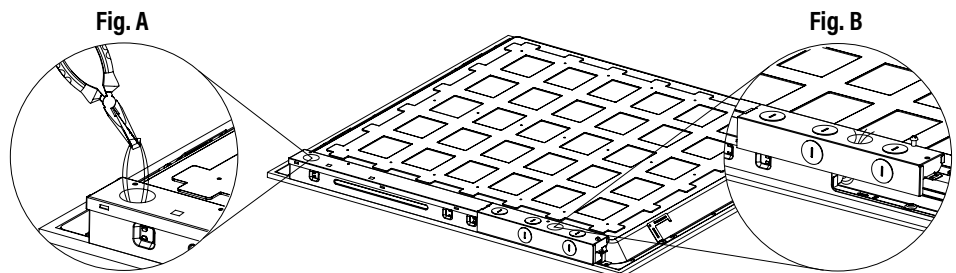
- Only for use with fixtures less than 300W.
- Review all instructions before installation and usage.
- This item could be used in an enclosed fixture or installed in the open area of the fixture.
- Keep away from flammable materials and in a place with good heat dissipation.
- Charge the battery consistently for more than 24 hours before usage to activate all battery cells of discharging/charging duration.

1. Open knock-outs with screw driver.

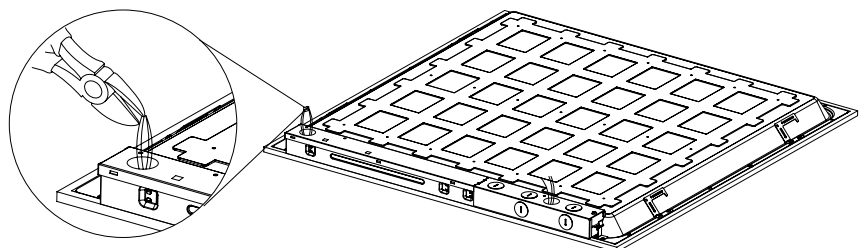


2. Take the wire out of the driver box.

- Use needle-nose pliers to clamp the plugs and take out from the driver box. (Fig. A)
- Open the outlet plate and remove the wire from the knock-out. (Fig. B)

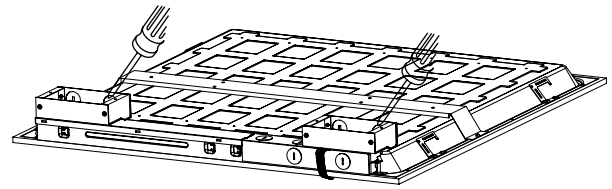
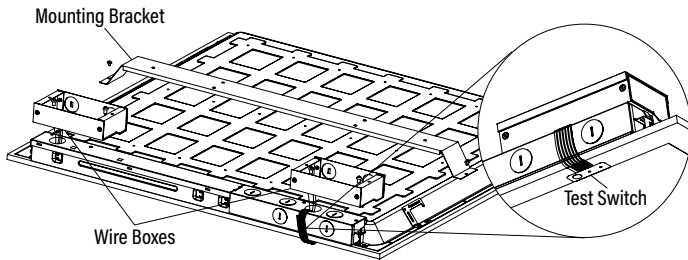


3. Cut off the plug with the four wires.



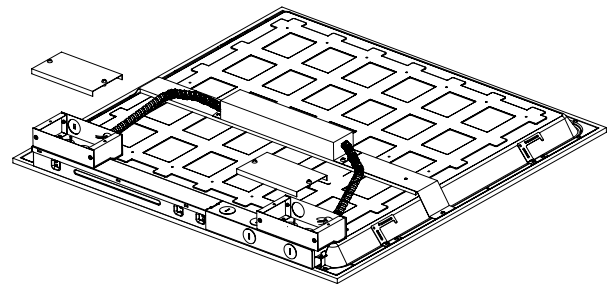
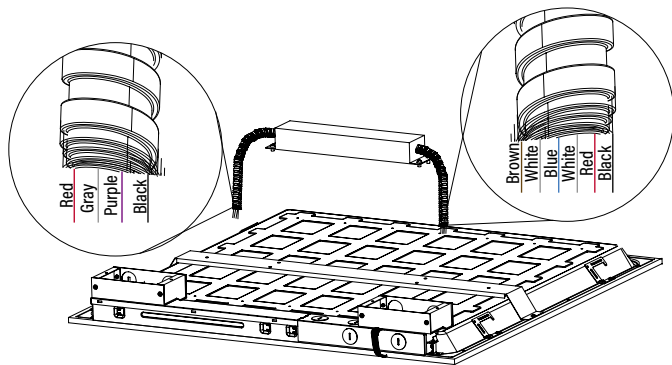
LED EM. BATTERY BACKUP • 55394

INSTALL INSTRUCTIONS



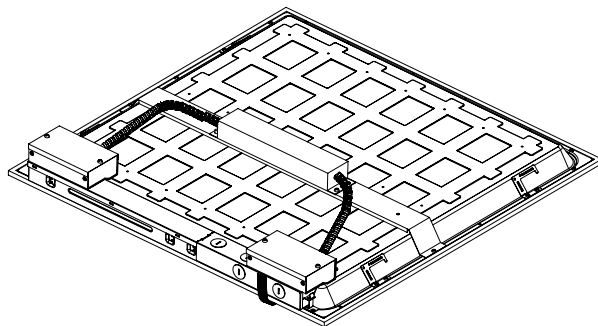
4. Install test switch before installing wire boxes. Then install mounting bracket. (Item#: 55395 or 55393 - Mounting Bracket and Wire Boxes sold separately as a kit.)

5. Open knock-outs with a screwdriver.



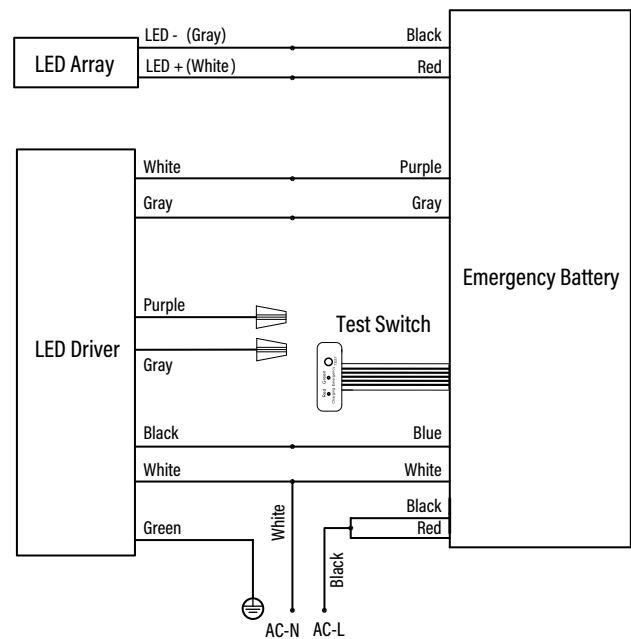
6. Install emergency battery - refer to general wiring diagram.

7. Insert conduit hose into the knock-out and connect wires. Then install covers on wire boxes.



8. Installation complete.

GENERAL WIRING DIAGRAM



TEST SWITCH

- Emergency battery backup will go into emergency mode if test switch is pressed when main supply is on, it will remain in charging mode if test switch is not pressed.
- In emergency mode, press the test switch for 3 seconds to turn off the current emergency state.

LED INDICATOR

- Solid Red Light: charging mode or fully charged.
- Red Light Off: main power off or in discharge mode.

MAINTENANCE

- Turn off the main power every 3 months, to let the battery operate a charging/discharging cycle. This will help extend the life of the battery.
- Check the emergency function with the push test button.