

LED LINEAR HIGH BAY - 120-277V

INSTALL INSTRUCTIONS



PLEASE FIND A QUALIFIED ELECTRICIAN FOR INSTALLATION. Please read the instructions before you install and use the luminaire.

WARNING, CAUTIONS AND OPERATING INSTRUCTIONS

- To reduce the risk of death, personal injury or property damage from fire, electric shock, falling parts, cuts/abrasions, and other hazards read all warnings and instructions included with and on the fixture box and all fixture labels.
- Before installing, servicing, or performing routine maintenance upon this equipment, follow these general precautions.
- Commercial installation, service and maintenance of luminaires should be performed by a qualified licensed electrician.
- For the installation: If you are unsure about the installation or maintenance of the luminaires, consult a qualified licensed electrician and check your local electrical code.
- To prevent wiring damage or abrasion, do not expose wiring to edges of sheet metal or other sharp objects.
- Do not make or alter any open holes in an enclosure of wiring or electrical components during kit installation.

WARNING: RISK OF FIRE OR ELECTRICAL SHOCK

- Turn off electrical power at fuse or circuit breaker box before wiring fixture to the power supply.
- Turn off the power when you perform any maintenance.
- Verify that supply voltage is correct by comparing it with the luminaire label information.
- Make all electrical and grounded connections in accordance with the National Electrical Code and any applicable local code requirements.
- All wiring connections should be capped with UL approved wire connectors.

CAUTION: RISK OF INJURY

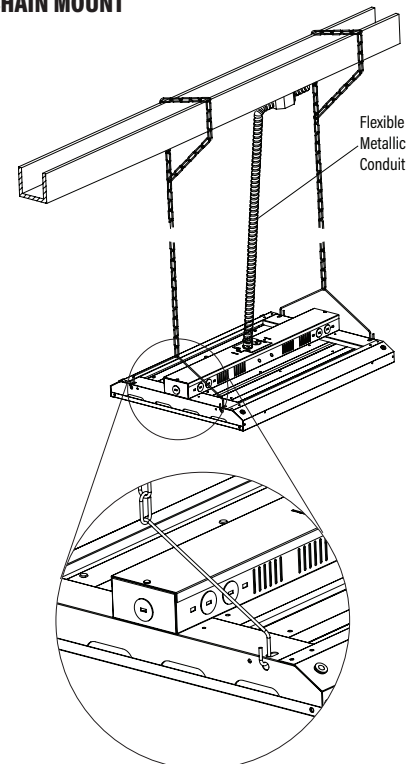
- Avoid direct eye exposure to the light source while it is on.
- Account for small parts and destroy packing material, as these may be hazardous to children.
- Green ground screw is provided in the proper location. DO NOT RELOCATE.
- Minimum 90° supply conductors.
- Suitable for Dry or Damp locations.

! WARNING DISCONNECT POWER BEFORE INSTALLING OR SERVICING.

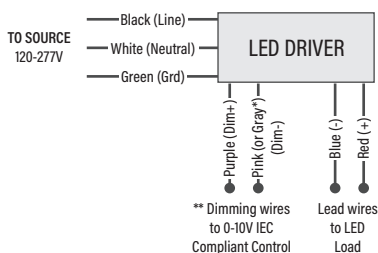
INSTALLATION

1. Remove the new LED fixture from packaging and inspect for any damages. Handle new LED fixture with care.
2. **STANDARD CHAIN MOUNT:** Install the chain into the provided wire hanger. Secure the other end of the chain to a structure using hardware rated for the load. Install the wire hanger on the side of the top LED channel. Make sure the wiring hangers are fully engaged into the side holes on the top channel (*Additional mounting options on page 2.*)
3. Connect the LED high bay wiring to line voltage wire, black to hot, white to neutral and green to ground. Use only UL listed wiring ****NOTE:** Purple and pink (or gray*) wires inside the driver compartment are 0-10V (low voltage) dimming leads. Connect to dimming low voltage wiring only. If not connecting fixture to a 0-10V dimming circuit, make sure fixture dimmer leads are capped off separately from each other. Failure to do so make cause improper fixture operation and void warranty.
4. Clean all residues/fingerprints from the new LED high bay and lens. Double check all hanging hardware before moving onto the next installation.

CHAIN MOUNT



GENERAL WIRING DIAGRAM



**Per NEMA rule-change, gray-color dimming control wires will be changing to pink as new productions come in.*

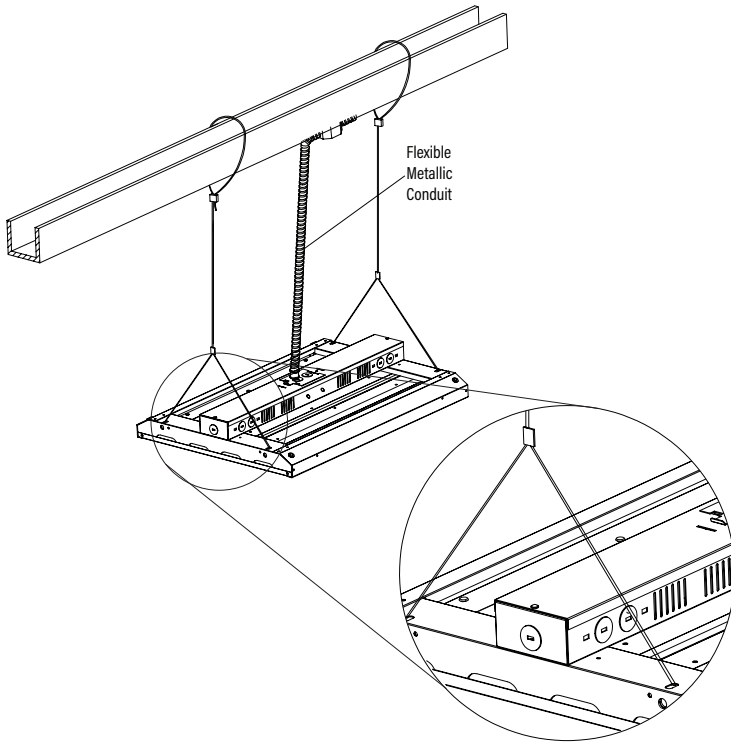
LED LINEAR HIGH BAY - 120-277V

INSTALL INSTRUCTIONS

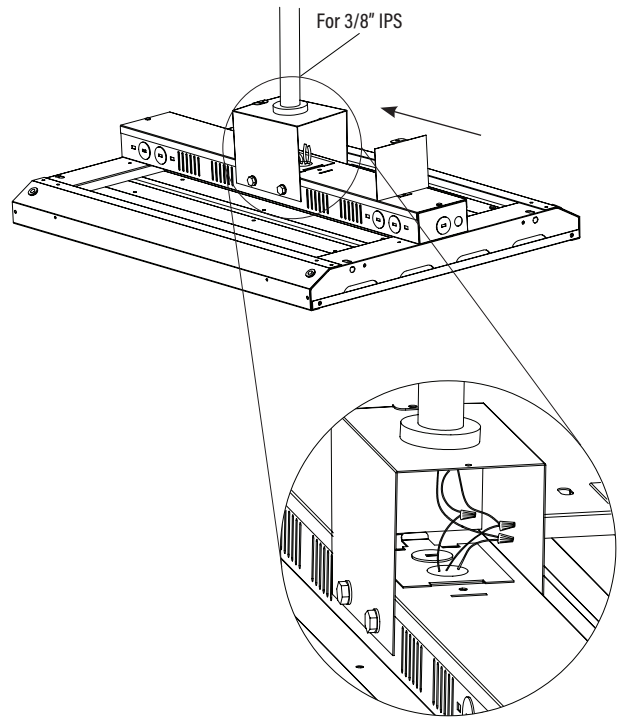


ADDITIONAL MOUNTING OPTIONS *(Sold separately)*

CABLE MOUNT



PENDENT MOUNT



TONE-SELECT™ LINEAR HIGH BAY - Field Adjustable CCT *(If applicable)*

The end users may adjust the color temperature by the slide switch located on the side of the driver box. The switch has 2 positions (left or right), corresponding to 1 of 2 color temperatures (4000K, 5000K).

1. Switches are located on the side of the fixture.
2. Select a color temperature by sliding switch left or right respectively to the desired value.

