



Item#: **82255**  
**LED OUTDOOR DIE CAST**  
**EMERGENCY LIGHT**  
 EMERGENCY LIGHTING

**FEATURES**

- Outdoor lighting that can be used both as general lighting and emergency lighting.
- Built in daylight photo sensor.
- Architectural low profile design.
- Quick connection and easy installation.
- Wall mounting with top or back power feed.
- Die-cast aluminum housing with a polycarbonate lens and mirror reflector.
- Self-diagnostic
- UL 94 V-0: Flame-resistant

**APPLICATION**

General and emergency light that can be used in a wide variety of places such as; parking lots, security, walkways and perimeter lighting.

PERFORMANCE DATA

**ELECTRICAL**

Wattage	12W / 4.5W (Emergency Mode)
Voltage	120-277V

**LIGHTING PERFORMANCE**

Lumens	1050 / 190 (Emergency Mode)
Lumens Per Watt	88 / 42 (Emergency Mode)
Color Temperature (CCT)	6500K
CRI	67

**ENVIRONMENT**

Operating Temperature	32° ~ 104°F
Suitable Location	<b>DAMP</b>
Ingress Protection Rating	IP65

**LIFESPAN**

Warranty (Years)	<b>1</b>
------------------	----------

**COMPONENTS**

Battery	Lithium 4.8V 1800mah
Discharge Time	90 Min.
Recharge Time	24 Hours

**CONSTRUCTION**

Housing	Aluminum / PC Lens
Base / Power Supply	Hard Wired
Finish	Dark Bronze
Mounting	Wall

**QUALIFICATIONS**



*Published lumens on LED products are approximate and may vary slightly. - Specifications are subject to change without notice.*

Item#: **82255**  
**LED OUTDOOR DIE CAST EMERGENCY LIGHT**

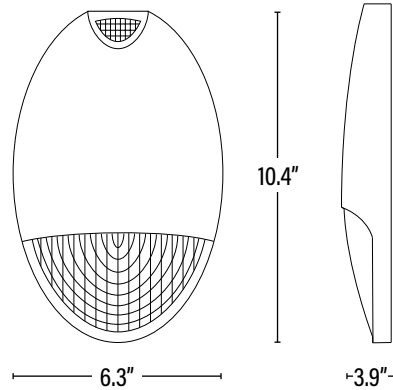


**DIMENSIONS** (Inches)

Length	10.4"
Width	3.9"
Height	6.3"
Net Weight (Lbs)	--

**SUPPORTING DOCUMENTS** (Grey = not available at this time.)

Product Sheet	VIEW
Install Instructions	VIEW
Photometric	VIEW



**PACKAGING**

		UPC	DIMENSIONS (LxWxH)	GROSS WEIGHT (Lbs)
Master Carton	6	10811768026501	13.6" x 13.5" x 1.2"	21.8
Individual Box	1	811768026504	11" x 6.5" x 4.3"	3.6
Country of Origin	China			
HS Tariff	--			

**ORDERING**

ITEM#	DESCRIPTION	CASE
82255	LED OUTDOOR DIE CAST EMERGENCY LIGHT 12W/120-277V/DARK BRONZE - SUPERIOR LIFE®	6

ITEM INFORMATION