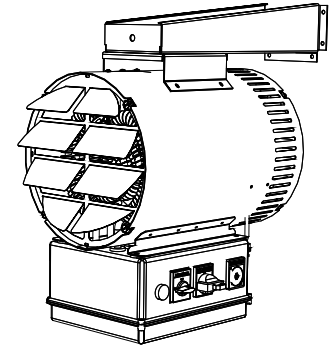




Marley[®]
Engineered Products



WD Series Corrosion Resistant Heater

Installation, Operation & Maintenance Instructions

Specifications

| Model Number | KW | Volts | Phase | Output BTU/HR | Heater Amps | Motor Volts | Motor Phase | Motor Amps | Temp Rise | CFM | Ship Weight lbs (kg) |
|--------------|------|-------|-------|---------------|-------------|-------------|-------------|------------|-----------|------|----------------------|
| WD02112A | 2 | 120 | 1 | 6,824 | 16.7 | 120 | 1 | 1.554 | 9 | 700 | 60 (27.2) |
| WD02812A | 2 | 208 | 1 | 6,824 | 9.6 | 208 | 1 | 0.896 | 9 | 700 | 60 (27.2) |
| WD02212A | 2 | 240 | 1 | 6,824 | 8.3 | 240 | 1 | 0.777 | 9 | 700 | 60 (27.2) |
| WD03112A | 3 | 120 | 1 | 10,236 | 25.0 | 120 | 1 | 1.554 | 14 | 700 | 60 (27.2) |
| WD03812A | 3 | 208 | 1 | 10,236 | 14.4 | 208 | 1 | 0.896 | 14 | 700 | 60 (27.2) |
| WD03212A | 3 | 240 | 1 | 10,236 | 12.5 | 240 | 1 | 0.777 | 14 | 700 | 60 (27.2) |
| WD03712A | 3 | 277 | 1 | 10,236 | 10.8 | 277 | 1 | 0.673 | 14 | 700 | 60 (27.2) |
| WD03832A | 3 | 208 | 3 | 10,236 | 8.3 | 208 | 1 | 0.896 | 14 | 700 | 60 (27.2) |
| WD03232A | 3 | 240 | 3 | 10,236 | 7.2 | 240 | 1 | 0.777 | 14 | 700 | 60 (27.2) |
| WD03432A | 3 | 480 | 3 | 10,236 | 3.6 | 480 | 1 | 0.388 | 14 | 700 | 60 (27.2) |
| WD05812A | 5 | 208 | 1 | 17,060 | 24.0 | 208 | 1 | 0.896 | 23 | 700 | 60 (27.2) |
| WD05212A | 5 | 240 | 1 | 17,060 | 20.8 | 240 | 1 | 0.777 | 23 | 700 | 60 (27.2) |
| WD05712A | 5 | 277 | 1 | 17,060 | 18.1 | 277 | 1 | 0.673 | 23 | 700 | 60 (27.2) |
| WD05412A | 5 | 480 | 1 | 17,060 | 10.4 | 480 | 1 | 0.388 | 23 | 700 | 60 (27.2) |
| WD05832A | 5 | 208 | 3 | 17,060 | 13.9 | 208 | 1 | 0.896 | 23 | 700 | 60 (27.2) |
| WD05232A | 5 | 240 | 3 | 17,060 | 12.0 | 240 | 1 | 0.777 | 23 | 700 | 60 (27.2) |
| WD05432A | 5 | 480 | 3 | 17,060 | 6.0 | 480 | 1 | 0.388 | 23 | 700 | 60 (27.2) |
| WD05632A | 5 | 600 | 3 | 17,060 | 4.8 | 240 | 1 | 1.8 | 23 | 1450 | 75 (34) |
| WD07812A | 7.5 | 208 | 1 | 25,590 | 36.1 | 208 | 1 | 0.896 | 34 | 700 | 60 (27.2) |
| WD07212A | 7.5 | 240 | 1 | 25,590 | 31.3 | 240 | 1 | 0.777 | 34 | 700 | 60 (27.2) |
| WD07712A | 7.5 | 277 | 1 | 25,590 | 27.1 | 277 | 1 | 0.673 | 34 | 700 | 60 (27.2) |
| WD07412A | 7.5 | 480 | 1 | 25,590 | 15.6 | 480 | 1 | 0.388 | 34 | 700 | 60 (27.2) |
| WD07832A | 7.5 | 208 | 3 | 25,590 | 20.8 | 208 | 1 | 0.896 | 34 | 700 | 60 (27.2) |
| WD07232A | 7.5 | 240 | 3 | 25,590 | 18.0 | 240 | 1 | 0.777 | 34 | 700 | 60 (27.2) |
| WD07432A | 7.5 | 480 | 3 | 25,590 | 9.0 | 480 | 1 | 0.388 | 34 | 700 | 60 (27.2) |
| WD07632A | 7.5 | 600 | 3 | 25,590 | 7.2 | 240 | 1 | 1.8 | 34 | 1450 | 75 (34) |
| WD10212A | 10 | 240 | 1 | 34,120 | 41.7 | 240 | 1 | 0.777 | 22 | 1450 | 60 (27.2) |
| WD10712A | 10 | 277 | 1 | 34,120 | 36.1 | 277 | 1 | 0.673 | 22 | 1450 | 60 (27.2) |
| WD10412A | 10 | 480 | 1 | 34,120 | 20.8 | 480 | 1 | 0.388 | 22 | 1450 | 60 (27.2) |
| WD10832A | 10 | 208 | 3 | 34,120 | 27.8 | 208 | 1 | 0.896 | 22 | 1450 | 60 (27.2) |
| WD10232A | 10 | 240 | 3 | 34,120 | 24.1 | 240 | 1 | 0.777 | 22 | 1450 | 60 (27.2) |
| WD10432A | 10 | 480 | 3 | 34,120 | 12.0 | 480 | 1 | 0.388 | 22 | 1450 | 60 (27.2) |
| WD10632A | 10 | 600 | 3 | 34,120 | 9.6 | 240 | 1 | 1.8 | 33 | 2400 | 75 (34) |
| WD12812A | 12.5 | 208 | 1 | 42,650 | 60.1 | 208 | 1 | 1.793 | 27 | 1450 | 60 (27.2) |
| WD12212A | 12.5 | 240 | 1 | 42,650 | 52.1 | 240 | 1 | 1.554 | 27 | 1450 | 60 (27.2) |
| WD12832A | 12.5 | 208 | 3 | 42,650 | 34.7 | 208 | 1 | 1.793 | 27 | 1450 | 60 (27.2) |
| WD12232A | 12.5 | 240 | 3 | 42,650 | 30.1 | 240 | 1 | 1.554 | 27 | 1450 | 60 (27.2) |
| WD12432A | 12.5 | 480 | 3 | 42,650 | 15.0 | 480 | 1 | 0.777 | 27 | 1450 | 60 (27.2) |
| WD12632A | 12.5 | 600 | 3 | 42,650 | 12.0 | 240 | 1 | 1.8 | 27 | 2400 | 75 (34) |
| WD15812A | 15 | 208 | 1 | 51,180 | 72.1 | 208 | 1 | 1.793 | 20 | 2400 | 110 (49.9) |
| WD15212A | 15 | 240 | 1 | 51,180 | 62.5 | 240 | 1 | 1.554 | 20 | 2400 | 110 (49.9) |
| WD15412A | 15 | 480 | 1 | 51,180 | 31.3 | 480 | 1 | 0.777 | 20 | 2400 | 110 (49.9) |
| WD15832A | 15 | 208 | 3 | 51,180 | 41.6 | 208 | 1 | 1.793 | 20 | 2400 | 110 (49.9) |
| WD15232A | 15 | 240 | 3 | 51,180 | 36.1 | 240 | 1 | 1.554 | 20 | 2400 | 110 (49.9) |
| WD15432A | 15 | 480 | 3 | 51,180 | 18.0 | 480 | 1 | 0.777 | 20 | 2400 | 110 (49.9) |
| WD15632A | 15 | 600 | 3 | 51,180 | 14.5 | 240 | 1 | 1.8 | 20 | 2400 | 125 (56.6) |
| WD20412A | 20 | 480 | 1 | 68,240 | 41.7 | 480 | 1 | 0.777 | 26 | 2400 | 120 (54.4) |
| WD20232A | 20 | 240 | 3 | 68,240 | 48.1 | 240 | 1 | 1.554 | 26 | 2400 | 120 (54.4) |
| WD20432A | 20 | 480 | 3 | 68,240 | 24.1 | 480 | 1 | 0.777 | 26 | 2400 | 120 (54.4) |
| WD20632A | 20 | 600 | 3 | 68,240 | 19.3 | 240 | 1 | 1.8 | 26 | 2400 | 135 (61.2) |
| WD25832A | 25 | 208 | 3 | 85,300 | 69.4 | 208 | 1 | 1.793 | 33 | 2400 | 120 (54.4) |
| WD25232A | 25 | 240 | 3 | 85,300 | 60.1 | 240 | 1 | 1.554 | 33 | 2400 | 120 (54.4) |
| WD25432A | 25 | 480 | 3 | 85,300 | 30.1 | 480 | 1 | 0.777 | 33 | 2400 | 120 (54.4) |
| WD25632A | 25 | 600 | 3 | 85,300 | 24.1 | 240 | 1 | 1.8 | 33 | 2400 | 135 (61.2) |
| WD30832A | 30 | 208 | 3 | 102,360 | 83.3 | 208 | 1 | 1.793 | 39 | 2400 | 120 (54.4) |
| WD30232A | 30 | 240 | 3 | 102,360 | 72.2 | 240 | 1 | 1.554 | 39 | 2400 | 120 (54.4) |
| WD30432A | 30 | 480 | 3 | 102,360 | 36.1 | 480 | 1 | 0.777 | 39 | 2400 | 120 (54.4) |
| WD30632A | 30 | 600 | 3 | 102,360 | 28.9 | 240 | 1 | 1.8 | 39 | 2400 | 135 (61.2) |
| WD39432A | 39 | 480 | 3 | 133,068 | 46.9 | 480 | 1 | 0.777 | 51 | 2400 | 120 (54.4) |
| WD39632A | 39 | 600 | 3 | 133,068 | 37.6 | 240 | 1 | 1.8 | 51 | 2400 | 135 (61.2) |

NOTE: Heaters over 48 amps require supplemental fusing.

SAVE THESE INSTRUCTIONS

IMPORTANT INSTRUCTIONS



WARNING



WHEN USING ELECTRIC APPLIANCES, BASIC PRECAUTIONS SHOULD ALWAYS BE FOLLOWED TO REDUCE THE RISK OF FIRE, ELECTRIC SHOCK, AND INJURY TO PERSONS, INCLUDING THE FOLLOWING:

1. Read all instructions before installing or using this heater.
2. This heater is a commercial/industrial product not intended for use in a residential setting.
3. This heater has hot and arcing or sparking parts inside and is not intended for use in hazardous atmospheres where flammable vapors, gases, liquids or other combustible atmospheres as defined in the National Electrical Code are used or stored. Failure to comply can result in explosion or fire.
4. This heater is hot when in use. To avoid burns, do not let bare skin touch hot surfaces. Keep combustible materials, such as furniture, pillows, bedding, papers, clothes, etc. and curtains at least 3 feet (0.9 m) from the front of the heater.
5. Extreme caution is necessary when any heater is used by or near children or invalids and whenever the heater is left operating and unattended.

6. Do not operate any heater after it malfunctions. Disconnect power at service panel and have heater inspected by a reputable electrician before using.
7. Do not use outdoors.
8. To disconnect heater, turn controls to OFF, and turn OFF power to heater circuit at main disconnect panel.
9. Do not insert or allow foreign objects to enter any ventilation or exhaust opening as this may cause an electric shock, fire, or damage to the heater.
10. To prevent a possible fire, do not block air intake or exhaust in any manner.
11. Use this heater only as described in this manual. Any other use not recommended by the manufacturer may cause fire, electric shock, or injury to persons.
12. When installing, see INSTALLATION INSTRUCTIONS for additional warnings and precautions.
13. For safe and efficient operation, and to extend the life of your heater, keep your heater clean - See MAINTENANCE INSTRUCTIONS.

NOT FOR RESIDENTIAL USE.

INSTALLATION INSTRUCTIONS



WARNING



To prevent a possible fire, injury to persons or damage to the heater, adhere to the following:

Important Note: This heater must be installed by a qualified person.

1. Disconnect all power coming to heater at main service panel before wiring or servicing.
2. All wiring procedures and connections must be in accordance with the National and Local Codes having jurisdiction and the heater must be grounded.

CAUTION: All electrical conduit and fittings must be listed for watertight applications to maintain the NEMA 4X enclosure classification to prevent hose-directed water from entering electrical box.

3. Verify the power supply voltage coming to heater matches the ratings as shown on the heater nameplate.

CAUTION: ENERGIZING HEATER AT A VOLTAGE GREATER THAN THE VOLTAGE PRINTED ON THE NAMEPLATE WILL DAMAGE THE HEATER AND VOID THE WARRANTY AND COULD CAUSE A FIRE.

4. To reduce the risk of fire, do not store or use gasoline or other flammable vapors and liquids in the vicinity of the heater.
5. The ceiling or wall mounting structure and the anchoring provisions must be of sufficient strength to support the combined weight of the heater and mounting bracket. See Specifications for total weight.
6. Heater must be mounted for horizontal air flow only. The heater must be mounted at least 7' (2134 mm) above the floor to avoid accidental contact with the fan blade which could cause injury.
7. Keep at least 5' (1524 mm) clearance in front of the heater. Refer to Figure 2 for side, top and back clearance requirements.
8. Do not mount mercury type thermostat directly on unit. Vibration could cause heater to malfunction.
9. Outlet grille is factory formed with louvers set at a 45° angle. This is the minimum angle allowable to avoid potential overheating. Louvers may be opened up to 90° if desired to allow for better air throw by bending each louver outward. See Figure 3.

General

Heater Location Instructions:

Arrange units so their discharge air streams:

- A. Are subjected to minimum interference from columns, machinery and partitions.
- B. Wipe exposed walls without blowing directly at them.
- C. Are directed away from room occupants in comfort heating.
- D. Are directed along the windward side when installed in a building exposed to a prevailing wind.

If not provided with internal thermostat, locate remote thermostat on interior partition walls or posts away from cold drafts, internal heat sources and away from heater discharge air streams.

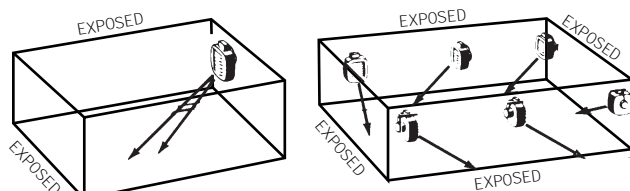


Figure 1

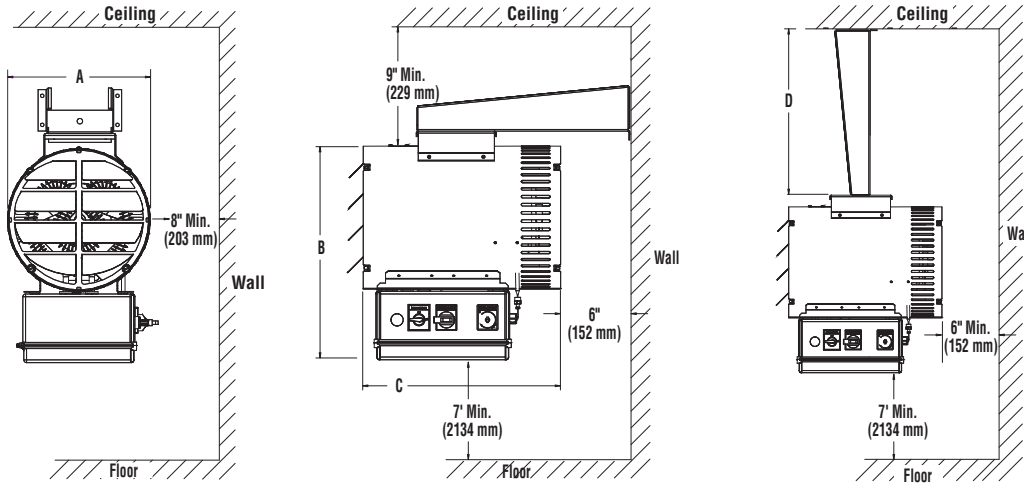


Figure 2

| kW | Dimensions Inches (mm) | | | |
|-----------|------------------------|------------|----------|------------|
| | A | B | C | D |
| 2-10 | 13 (330) | 19.5 (495) | 18 (457) | 19.5 (495) |
| 12.5-39.0 | 20 (508) | 31 (787) | 27 (686) | 24.2 (615) |

Small rooms can be heated by one unit heater. Where two walls are exposed, the heater should be mounted as shown in Figure 1.

Large rooms require multi-unit installations. Number and capacity of units will be determined by volume of building and square feet of floor area to be heated. Arrange units to provide perimeter air circulation where each unit supports the air stream from another.

Mounting Heaters with supplied Universal Mounting Bracket

NOTICE — These heaters are designed for wall and ceiling mounting with horizontal air discharge only. Other modes of mounting voids factory warranty.

- Height above floor
 - In areas where ceiling height is more than 12 feet (3658 mm), recommended mounting height is approximately 10 feet (3048 mm) to underside of heater.
 - For ceiling heights of 12 feet (3658 mm) or less, maximum mounting height is determined by use of the mounting bracket offered for these heaters. Minimum spacing to ceiling is 9" (229 mm). (See Figure 2.)
 - In either case the minimum mounting height is 7 feet (2134 mm) from floor to bottom of heater. (Figure 2)
- Spacing to adjacent walls (See Figure 2).
 - Rear of case to back wall 6" (152mm) minimum.
 - Side of case to side wall 8" (203 mm) minimum.

NOTE: If two or more units are operated in the same enclosed air space, their discharges should be directed to aid in development of mass air movement for uniform heat dispersal.

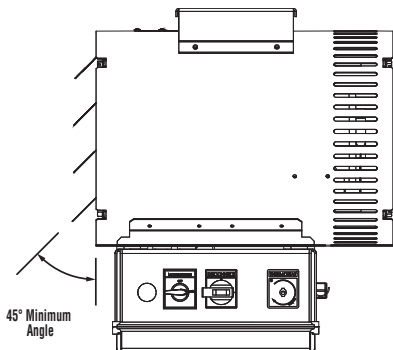


Figure 3 - Louver Adjustment

Wiring

Refer to wiring diagram included with the unit.

The wiring diagram can be found on the inside of the door to the wiring compartment. Should you have any questions, please contact Technical Service at 800-642-4328. Have your model number found on the name plate for reference.

CAUTION ⚠

ALL ELECTRICAL CONDUIT AND FITTINGS MUST BE LISTED FOR WATERTIGHT APPLICATIONS TO MAINTAIN THE NEMA 4X ENCLOSURE CLASSIFICATION TO PREVENT HOSE DIRECTED WATER FROM ENTERING ELECTRICAL BOX.

NOTE: All electrical wiring must be done according to National Electrical and local codes by a qualified person.

IMPORTANT NOTE - Installation Screw Lug Torque: During transportation it is possible screw lug connections can loosen. After installation, before power is turned on to the heater, check all screw lug connections for tightness to a recommended minimum torque of 35 in-lbs. (3.9 N-m). A tool is included for tightening lugs in hard to reach locations

⚠ WARNING ⚠

ELECTRIC SHOCK HAZARD. ANY INSTALLATION INVOLVING ELECTRIC HEATERS MUST BE PERFORMED BY A QUALIFIED PERSON AND MUST BE EFFECTIVELY GROUNDED IN ACCORDANCE WITH THE NATIONAL ELECTRICAL CODE TO ELIMINATE SHOCK HAZARD.

- Connect heater according to the voltage and frequency specified on the nameplate.
- All units are provided with control and power terminal blocks for customer's connection.
- Protection against overheating is provided by an internal automatic thermal cutout (manual reset cutout optional) which opens the electric circuit if the normal air-flow is restricted or stopped. Cutout automatically energizes heater on removal of the obstruction. If optional manual reset is tripped, determine cause before re-energizing.

⚠ WARNING ⚠

THE SYSTEM DESIGNER IS RESPONSIBLE FOR THE SAFETY OF THIS EQUIPMENT AND SHOULD INSTALL ADEQUATE BACK-UP CONTROLS AND SAFETY DEVICES WITH THEIR ELECTRIC HEATING EQUIPMENT. WHERE THE CONSEQUENCES OF FAILURE COULD RESULT IN PERSONAL INJURY OR PROPERTY DAMAGE, BACK-UP CONTROLS ARE ESSENTIAL.

4. Heaters are equipped with fan delay control. This control continues fan operation for a short time after elements are de-energized to dissipate residual heat.

⚠ WARNING ⚠

FAN BLADE ROTATION MUST BE CHECKED. IF AIRFLOW IS NOT MOVING OUT THROUGH THE OUTLET GRILLE, INTERCHANGE ANY TWO OF THE THREE INCOMING SUPPLY POWER LEADS ON THREE-PHASE UNITS ONLY.

Optional Equipment

- **Built-in Thermostat** (bulb and capillary type) for automatic temperature control. The thermostat controls the heating elements and fan simultaneously to achieve set temperature. The Lo setting of the thermostat is approximately 40°F and the Hi setting is approximately 90°F.
- **Mode Switch** (heater on, heater off, fan only) to permit air flow with or without energizing the heating elements. The switch is accessible from outside the NEMA 4X enclosure.
- **Pilot Light** to indicate when heating elements are energized.
- **Internal Fusing**
- **Manual Reset Limit**
- **ON/OFF Switch**
- For wiring diagram containing options, see label on inside cover of terminal box.

OPERATING INSTRUCTIONS

1. Heater must be properly installed before operation.
2. To check out the installation, turn the Mode Switch to the OFF position. Turn power ON to the heater at the main disconnect panel and check to see that the heater is not operating. If it is operating, disconnect power and check wiring.
3. Rotate built-in (or remote mounted) thermostat clockwise to the highest heat setting. With Heat-Cool Switch in OFF position, heater should not operate.
4. Turn Heat-Cool Selector Switch to the Fan Only position. The fan should come on and operate with no heat.
5. Turn Heat-Cool Selector Switch to the Heat position. The fan and heater should come on producing heat.
6. The heater should be allowed to operate with the thermostat at max or high heat until room temperature reaches the desired level. The thermostat should then be rotated counter-clockwise until the heater elements turn off (an audible click). This should set the thermostat to cycle the heater on and off to maintain the ambient temperature. Fine adjustments may need to be made to obtain the desired room ambient. Slight rotating of the thermostat in the clockwise direction will increase the room ambient while rotation in the counter-clockwise direction will lower the room ambient. If remote thermostat is provided, follow the instructions provided with thermostat

NOTE: A built in fan delay will cause the fan to run after the elements turn off to dissipate residual heat.

NOTE: If a Disconnect Switch option is provided, this switch will be accessible from the outside of the control box and will be marked ON and OFF accordingly. In the OFF position, the heater will not operate.

NOTE: If a Manual-Reset Cutout option is provided, the RESET button will be marked and accessible on the control panel. This safety control will operate only if the heater overheats.

⚠ WARNING ⚠

DO NOT TAMPER WITH OR BYPASS ANY SAFETY LIMITS INSIDE HEATER.

MAINTENANCE INSTRUCTIONS

It is important to keep this heater clean. Your heater will give you years of service and comfort with only minimum care. To assure efficient operation follow the simple instructions below.

⚠ WARNING ⚠

ALL SERVICING BEYOND SIMPLE CLEANING THAT REQUIRES DISASSEMBLY SHOULD BE PERFORMED BY QUALIFIED SERVICE PERSONNEL.

⚠ WARNING ⚠

TO REDUCE RISK OF FIRE AND ELECTRIC SHOCK OR INJURY, DISCONNECT ALL POWER COMING TO HEATER AT MAIN SERVICE PANEL AND CHECK THAT THE ELEMENT IS COOL BEFORE SERVICING OR PERFORMING MAINTENANCE.

User Cleaning Instructions:

1. Turn off power to heater and allow elements to cool.
2. Vacuum or hose off heater with water (at city pressure) before activating for next heating season to remove accumulated dust or lint which otherwise may smoke or incinerate on initial heat up.
3. Return power to heater and check to make sure it is operating properly.

Maintenance Cleaning Instructions:

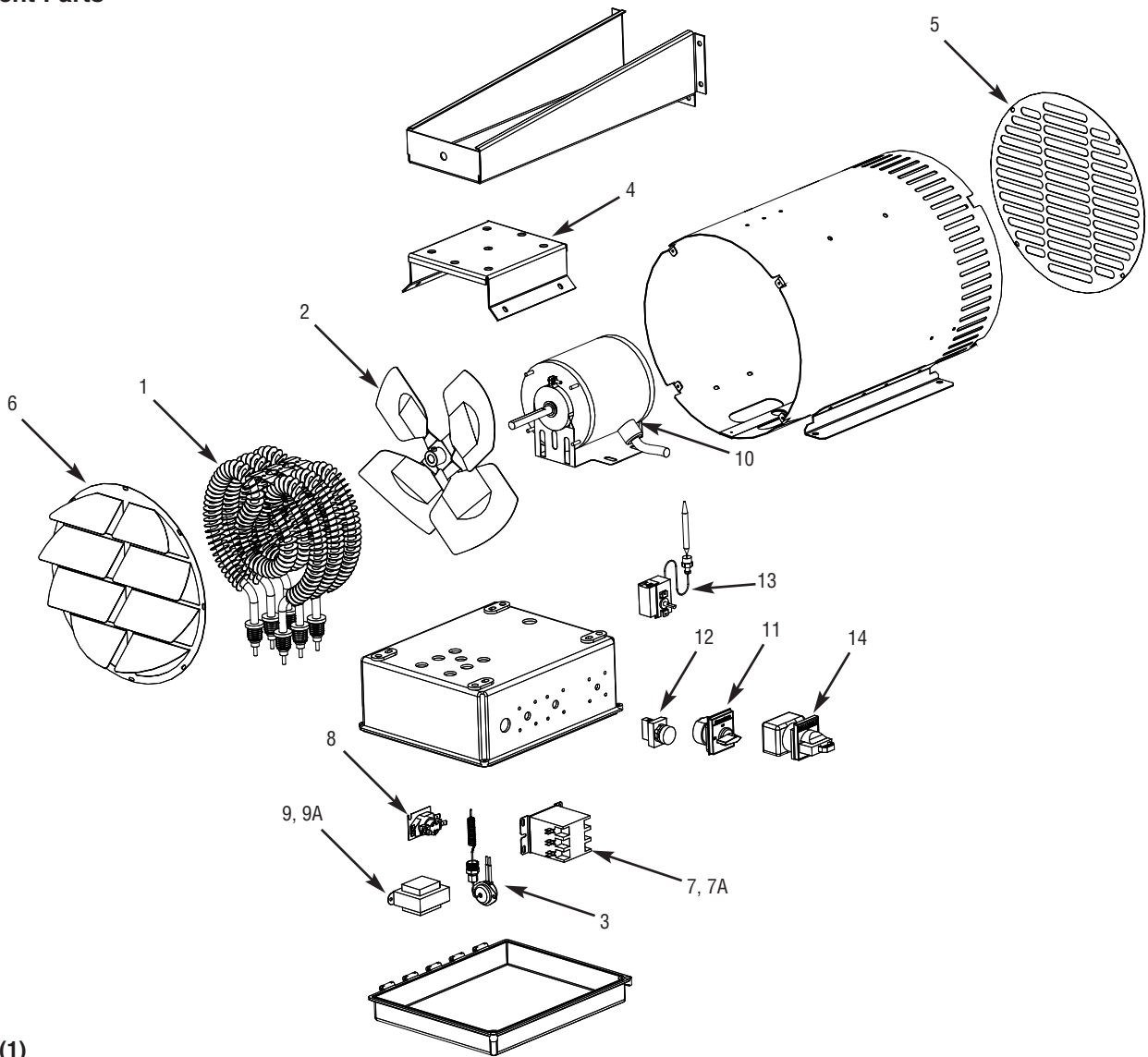
(To be performed only by Qualified Service Personnel)

At least annually, the heater should be cleaned and serviced by a qualified service person to assure safe and efficient operation. This should include as necessary, vacuuming dust and debris from the elements and fan, and check all screw lug connections for tightness to a recommended minimum torque of 35 in-lbs. (3.9 N-m) using the included tool(s) for hard to reach lugs if necessary. After completing the cleaning and servicing, the heater should be fully reassembled and checked for proper operation.

IMPORTANT NOTE: For heaters used in a hose down application, it is recommended that periodically after the heater has been hosed down (with power off at panel) the wiring enclosure cover be opened and the interior inspected for water penetration. If water is discovered, the heater must be repaired by a qualified electrician to assure the seals are properly installed.

During each cleaning, all seals should be inspected for damage as it is critical that they maintain a water tight seal. If damage is discovered (such as tears or cracking), they should be replaced or repaired with an appropriate silicone sealant.

Replacement Parts



Elements (1)

| Heater KW | 120 V | 208 V | 240 V | 277 V | 480 V | 600 V |
|-----------|----------------|----------------|----------------|----------------|---|----------------|
| 2 | 1802-11012-001 | 1802-11012-002 | 1802-11012-003 | - | - | |
| 3 | 1802-11012-001 | 1802-11012-002 | 1802-11012-003 | 1802-11012-004 | 1802-11012-004 | |
| 5 | - | 1802-11012-005 | 1802-11012-006 | 1802-11012-007 | 1802-11012-008 1PH 1802-11012-007 3 PH | 1802-11012-027 |
| 7.5 | - | 1802-11012-011 | 1802-11012-012 | 1802-11012-009 | 1802-11012-008 | 1802-11012-027 |
| 10 | - | 1802-11012-010 | 1802-11012-011 | 1802-11012-012 | 1802-11012-013 | 1802-11012-028 |
| 12.5 | - | 1802-11013-001 | 1802-11013-002 | - | 1802-11013-003 | 1802-11013-021 |
| 15 | - | 1802-11013-004 | 1802-11013-005 | - | 1802-11013-006 | 1802-11012-027 |
| 20 | - | - | 1802-11013-007 | - | 1802-11013-008 | 1802-11012-010 |
| 25 | - | 1802-11013-001 | 1802-11013-002 | - | 1802-11013-003 | 1802-11012-011 |
| 30 | - | 1802-11013-004 | 1802-11013-005 | - | 1802-11013-006 | 1802-11013-022 |
| 39 | - | - | - | - | 1802-11013-009 | 1802-11013-023 |

Mechanical Parts and Cutout - KW Dependent

| Heater KW | Fan Blade (2) | Limit (3) | Mounting Bracket(4) | Inlet Grill (5) | Outlet Grill (6) |
|------------------------------|----------------|----------------|---------------------|-----------------|------------------|
| 2kw, 3kw, 5kw, 7.5kw | 1210-11007-003 | 4520-11013-000 | 1215-11081-000 | 2504-11018-000 | 2504-11019-001 |
| 10kw | 1210-11007-002 | | | | |
| 12.5kw | 1210-11008-000 | 4520-11013-001 | 1215-11081-001 | 2504-11020-000 | 2504-11021-001 |
| 15kw, 20kw, 25kw, 30kw, 39kw | 1210-11008-001 | | | | |

Electrical Parts

| Heater KW | Heater Line Voltage | Heater Control Voltage | Heater Phase | Contactor (7) | Contactor (7A) | Fan Delay Relay(8) | Transformer (9) | Transformer (9A) | Terminal Block (Not Shown) |
|--|---------------------|------------------------|--------------|---------------|----------------|--------------------|-----------------|------------------|---|
| 2kw, 3kw, 5kw, 7.5kw, 10kw | 120 | 24 | 1 | 5018-0006-000 | N/A | 5018-11005-000 | 5814-0003-006 | N/A | 5823-0004-002 (480V also req 2900-0030-000) |
| | 208 | 24 | 1 or 3 | | | | 5814-0003-000 | | |
| | 240 | 24 | | | | | 5814-0003-000 | | |
| | 277 | 24 | 1 | 5814-0003-001 | | | | | |
| | 480 | 24 | 1 or 3 | 5814-0003-002 | | | | | |
| | 600 | 24 | 3 | 5018-0006-000 | 5018-0005-004 | 5018-11005-000 | 5814-0003-000 | 490015027 | |
| 2kw, 3kw, 5kw, 7.5kw, 10kw | 120 | 120 | 1 | 5018-0006-001 | N/A | 5018-11005-001 | N/A | N/A | |
| | 208 | 120 | 1 or 3 | | | | 5814-0003-003 | | |
| | 240 | 120 | | | | | 5814-0003-003 | | |
| | 277 | 120 | 1 | 5814-0003-004 | | | | | |
| | 480 | 120 | 1 or 3 | 5814-0003-005 | | | | | |
| | 600 | 120 | 3 | 5018-0006-001 | 5018-0005-005 | 5018-11005-001 | 5814-0003-003 | 490015027 | |
| Unfused large units 12.5kw,15kw, | 208 | 24 | 3 | 5018-0006-000 | 5018-11005-000 | | 5814-0003-000 | | |
| | 240 | 24 | | | | | 5814-0003-000 | | |
| | 480 | 24 | | | | | 5814-0003-002 | | |
| | 600 | 24 | | | | | 5814-0003-000 | | |
| | 208 | 120 | 3 | 5018-0006-001 | 5018-11005-001 | | 5814-0003-003 | | |
| | 240 | 120 | | | | | 5814-0003-003 | | |
| | 480 | 120 | | | | | 5814-0003-005 | | |
| | 600 | 120 | | | | | 5814-0003-003 | | |
| Fused large units | 208 | 24 | 1 | 5018-0006-000 | 5018-11005-000 | | 5814-0003-000 | | 480034002 |
| | 240 | 24 | | | | | 5814-0003-000 | | |
| | 480 | 24 | | | | | 5814-0003-002 | | |
| | 208 | 120 | 1 | 5018-0006-001 | 5018-11005-001 | | 5814-0003-003 | | |
| | 240 | 120 | | | | | 5814-0003-003 | | |
| | 480 | 120 | | | | | 5814-0003-005 | | |

Electrical Parts (Continued)

| Heater KW | Heater Line Voltage | Heater Control Voltage | Heater Phase | Motor (10) | Mode Switch (11) (Accy) | Pilot Light Green (12) (Accy) | |
|---------------------------------------|---------------------|------------------------|--------------|----------------|----------------------------|----------------------------------|----------------|
| 2kw, 3kw, 5kw, 7.5kw, 10kw | 120 | 24 | 1 | 3900-11029-002 | 5216-11016-000 | 3510-11009-000 | |
| | 208 | 24 | 1 or 3 | 3900-11029-000 | | | |
| | 240 | 24 | | | | | |
| | 277 | 24 | 1 | 3900-11029-001 | | | |
| | 480 | 24 | 1 or 3 | 3900-11029-000 | | | |
| | 600 | 24 | 3 | | | | |
| 2kw, 3kw, 5kw, 7.5kw, 10kw | 120 | 120 | 1 | 3900-11029-002 | | 3510-11009-001 | |
| | 208 | 120 | 1 or 3 | 3900-11029-000 | | | |
| | 240 | 120 | | | | | |
| | 277 | 120 | 1 | 3900-11029-001 | | | |
| | 480 | 120 | 1 or 3 | 3900-11029-000 | | | |
| | 600 | 120 | 3 | | | | |
| Unfused large units 12.5kw,15kw | 208 | 24 | 3 | 3900-11031-000 | | 3510-11009-000 | |
| | 240 | 24 | | | | | |
| | 480 | 24 | | | | | |
| | 600 | 24 | 3 | 3900-11031-000 | | 3510-11009-001 | |
| | 208 | 120 | 3 | | | | |
| | 240 | 120 | | | | | |
| Fused large units | 480 | 120 | 3 | 3900-11031-000 | 5216-11016-000 | 3510-11009-000 | |
| | 600 | 120 | | | | | |
| | 208 | 24 | | | | | 1 |
| | 240 | 24 | 1 | 3900-11031-000 | | | 3510-11009-001 |
| | 480 | 24 | | | | | |
| | 208 | 120 | | | | | |
| | 240 | 120 | | | | | |
| | 480 | 120 | | | | | |

Disconnect Switch (14)

| Size Amps | Part Number |
|--------------|----------------|
| 40 | 4529-11009-031 |
| 60 | 4529-11009-032 |
| 100 | 4529-11009-033 |
| 125 | 4529-11009-034 |

Miscellaneous

| Description | Part Number |
|--------------------|----------------|
| Thermostat (13) | 5813-11010-000 |
| Gasket (Not Shown) | 5206-11009-000 |

LIMITED WARRANTY

All products manufactured by Marley Engineered Products are warranted against defects in workmanship and materials for one year from date of installation. This warranty does not apply to damage from accident, misuse, or alteration; nor where the connected voltage is more than 5% above the nameplate voltage; nor to equipment improperly installed or wired or maintained in violation of the product's installation instructions. All claims for warranty work must be accompanied by proof of the date of installation.

The customer shall be responsible for all costs incurred in the removal or reinstallation of products, including labor costs, and shipping costs incurred to return products to Marley Engineered Products Service Center. Within the limitations of this warranty, inoperative units should be returned to the nearest Marley authorized service center or the Marley Engineered Products Service Center, and we will repair or replace, at our option, at no charge to you with return freight paid by Marley. It is agreed that such repair or replacement is the exclusive remedy available from Marley Engineered Products.

THE ABOVE WARRANTIES ARE IN LIEU OF ALL OTHER WARRANTIES EXPRESSED OR IMPLIED, AND ALL IMPLIED WARRANTIES OF MERCHANTABILITY AND FITNESS FOR A PARTICULAR PURPOSE WHICH EXCEED THE AFORESAID EXPRESSED WARRANTIES ARE HEREBY DISCLAIMED AND EXCLUDED FROM THIS AGREEMENT. MARLEY ENGINEERED PRODUCTS SHALL NOT BE LIABLE FOR CONSEQUENTIAL DAMAGES ARISING WITH RESPECT TO THE PRODUCT, WHETHER BASED UPON NEGLIGENCE, TORT, STRICT LIABILITY, OR CONTRACT.

Some states do not allow the exclusion or limitation of incidental or consequential damages, so the above exclusion or limitation may not apply to you. This warranty gives you specific legal rights, and you may also have other rights which vary from state to state.

For the address of your nearest authorized service center, contact Marley Engineered Products in Bennettsville, SC, at 1-800-642-4328. Merchandise returned to the factory must be accompanied by a return authorization and service identification tag, both available from Marley Engineered Products. When requesting return authorization, include all catalog numbers shown on the products.

HOW TO OBTAIN WARRANTY SERVICE AND WARRANTY PARTS PLUS GENERAL INFORMATION

- | | |
|--------------------------------|---|
| 1. Warranty Service or Parts | 1-800-642-4328 |
| 2. Purchase Replacement Parts | 1-800-654-3545 |
| 3. General Product Information | www.marlymep.com |

Note: When obtaining service always have the following:

1. Model number of the product
2. Date of manufacture
3. Part number or description

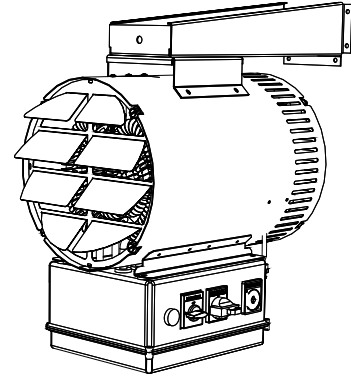


Marley[®]
Engineered Products

470 Beauty Spot Rd. East
Bennettsville, SC 29512 USA



Marley®
Engineered Products



Serie WD

Calefactor resistente a la corrosión

Instrucciones de instalación, operación y mantenimiento

Especificaciones

| Número de modelo | Potencia kW | Tensión (volts) | Fases | BTU/h de salida | Consumo del calefactor (A) | Tensión del motor (volts) | Fases del motor | Consumo del motor (A) | Sobreelev. de temp. (°F) | Caudal de aire (cfm) | Peso para transporte, lb (kg) |
|------------------|-------------|-----------------|-------|-----------------|----------------------------|---------------------------|-----------------|-----------------------|--------------------------|----------------------|-------------------------------|
| WD02112A | 2 | 120 | 1 | 6,824 | 16.7 | 120 | 1 | 1.554 | 9 | 700 | 60 (27.2) |
| WD02812A | 2 | 208 | 1 | 6,824 | 9.6 | 208 | 1 | 0.896 | 9 | 700 | 60 (27.2) |
| WD02212A | 2 | 240 | 1 | 6,824 | 8.3 | 240 | 1 | 0.777 | 9 | 700 | 60 (27.2) |
| WD03112A | 3 | 120 | 1 | 10,236 | 25.0 | 120 | 1 | 1.554 | 14 | 700 | 60 (27.2) |
| WD03812A | 3 | 208 | 1 | 10,236 | 14.4 | 208 | 1 | 0.896 | 14 | 700 | 60 (27.2) |
| WD03212A | 3 | 240 | 1 | 10,236 | 12.5 | 240 | 1 | 0.777 | 14 | 700 | 60 (27.2) |
| WD03712A | 3 | 277 | 1 | 10,236 | 10.8 | 277 | 1 | 0.673 | 14 | 700 | 60 (27.2) |
| WD03832A | 3 | 208 | 3 | 10,236 | 8.3 | 208 | 1 | 0.896 | 14 | 700 | 60 (27.2) |
| WD03232A | 3 | 240 | 3 | 10,236 | 7.2 | 240 | 1 | 0.777 | 14 | 700 | 60 (27.2) |
| WD03432A | 3 | 480 | 3 | 10,236 | 3.6 | 480 | 1 | 0.388 | 14 | 700 | 60 (27.2) |
| WD05812A | 5 | 208 | 1 | 17,060 | 24.0 | 208 | 1 | 0.896 | 23 | 700 | 60 (27.2) |
| WD05212A | 5 | 240 | 1 | 17,060 | 20.8 | 240 | 1 | 0.777 | 23 | 700 | 60 (27.2) |
| WD05712A | 5 | 277 | 1 | 17,060 | 18.1 | 277 | 1 | 0.673 | 23 | 700 | 60 (27.2) |
| WD05412A | 5 | 480 | 1 | 17,060 | 10.4 | 480 | 1 | 0.388 | 23 | 700 | 60 (27.2) |
| WD05832A | 5 | 208 | 3 | 17,060 | 13.9 | 208 | 1 | 0.896 | 23 | 700 | 60 (27.2) |
| WD05232A | 5 | 240 | 3 | 17,060 | 12.0 | 240 | 1 | 0.777 | 23 | 700 | 60 (27.2) |
| WD05432A | 5 | 480 | 3 | 17,060 | 6.0 | 480 | 1 | 0.388 | 23 | 700 | 60 (27.2) |
| WD05632A | 5 | 600 | 3 | 17,060 | 4.8 | 240 | 1 | 1.8 | 23 | 1450 | 75 (34) |
| WD07812A | 7.5 | 208 | 1 | 25,590 | 36.1 | 208 | 1 | 0.896 | 34 | 700 | 60 (27.2) |
| WD07212A | 7.5 | 240 | 1 | 25,590 | 31.3 | 240 | 1 | 0.777 | 34 | 700 | 60 (27.2) |
| WD07712A | 7.5 | 277 | 1 | 25,590 | 27.1 | 277 | 1 | 0.673 | 34 | 700 | 60 (27.2) |
| WD07412A | 7.5 | 480 | 1 | 25,590 | 15.6 | 480 | 1 | 0.388 | 34 | 700 | 60 (27.2) |
| WD07832A | 7.5 | 208 | 3 | 25,590 | 20.8 | 208 | 1 | 0.896 | 34 | 700 | 60 (27.2) |
| WD07232A | 7.5 | 240 | 3 | 25,590 | 18.0 | 240 | 1 | 0.777 | 34 | 700 | 60 (27.2) |
| WD07432A | 7.5 | 480 | 3 | 25,590 | 9.0 | 480 | 1 | 0.388 | 34 | 700 | 60 (27.2) |
| WD07632A | 7.5 | 600 | 3 | 25,590 | 7.2 | 240 | 1 | 1.8 | 34 | 1450 | 75 (34) |
| WD10212A | 10 | 240 | 1 | 34,120 | 41.7 | 240 | 1 | 0.777 | 22 | 1450 | 60 (27.2) |
| WD10712A | 10 | 277 | 1 | 34,120 | 36.1 | 277 | 1 | 0.673 | 22 | 1450 | 60 (27.2) |
| WD10412A | 10 | 480 | 1 | 34,120 | 20.8 | 480 | 1 | 0.388 | 22 | 1450 | 60 (27.2) |
| WD10832A | 10 | 208 | 3 | 34,120 | 27.8 | 208 | 1 | 0.896 | 22 | 1450 | 60 (27.2) |
| WD10232A | 10 | 240 | 3 | 34,120 | 24.1 | 240 | 1 | 0.777 | 22 | 1450 | 60 (27.2) |
| WD10432A | 10 | 480 | 3 | 34,120 | 12.0 | 480 | 1 | 0.388 | 22 | 1450 | 60 (27.2) |
| WD10632A | 10 | 600 | 3 | 34,120 | 9.6 | 240 | 1 | 1.8 | 33 | 2400 | 75 (34) |
| WD12812A | 12.5 | 208 | 1 | 42,650 | 60.1 | 208 | 1 | 1.793 | 27 | 1450 | 60 (27.2) |
| WD12212A | 12.5 | 240 | 1 | 42,650 | 52.1 | 240 | 1 | 1.554 | 27 | 1450 | 60 (27.2) |
| WD12832A | 12.5 | 208 | 3 | 42,650 | 34.7 | 208 | 1 | 1.793 | 27 | 1450 | 60 (27.2) |
| WD12232A | 12.5 | 240 | 3 | 42,650 | 30.1 | 240 | 1 | 1.554 | 27 | 1450 | 60 (27.2) |
| WD12432A | 12.5 | 480 | 3 | 42,650 | 15.0 | 480 | 1 | 0.777 | 27 | 1450 | 60 (27.2) |
| WD12632A | 12.5 | 600 | 3 | 42,650 | 12.0 | 240 | 1 | 1.8 | 27 | 2400 | 75 (34) |
| WD15812A | 15 | 208 | 1 | 51,180 | 72.1 | 208 | 1 | 1.793 | 20 | 2400 | 110 (49.9) |
| WD15212A | 15 | 240 | 1 | 51,180 | 62.5 | 240 | 1 | 1.554 | 20 | 2400 | 110 (49.9) |
| WD15412A | 15 | 480 | 1 | 51,180 | 31.3 | 480 | 1 | 0.777 | 20 | 2400 | 110 (49.9) |
| WD15832A | 15 | 208 | 3 | 51,180 | 41.6 | 208 | 1 | 1.793 | 20 | 2400 | 110 (49.9) |
| WD15232A | 15 | 240 | 3 | 51,180 | 36.1 | 240 | 1 | 1.554 | 20 | 2400 | 110 (49.9) |
| WD15432A | 15 | 480 | 3 | 51,180 | 18.0 | 480 | 1 | 0.777 | 20 | 2400 | 110 (49.9) |
| WD15632A | 15 | 600 | 3 | 51,180 | 14.5 | 240 | 1 | 1.8 | 20 | 2400 | 125 (56.6) |
| WD20412A | 20 | 480 | 1 | 68,240 | 41.7 | 480 | 1 | 0.777 | 26 | 2400 | 120 (54.4) |
| WD20232A | 20 | 240 | 3 | 68,240 | 48.1 | 240 | 1 | 1.554 | 26 | 2400 | 120 (54.4) |
| WD20432A | 20 | 480 | 3 | 68,240 | 24.1 | 480 | 1 | 0.777 | 26 | 2400 | 120 (54.4) |
| WD20632A | 20 | 600 | 3 | 68,240 | 19.3 | 240 | 1 | 1.8 | 26 | 2400 | 135 (61.2) |
| WD25832A | 25 | 208 | 3 | 85,300 | 69.4 | 208 | 1 | 1.793 | 33 | 2400 | 120 (54.4) |
| WD25232A | 25 | 240 | 3 | 85,300 | 60.1 | 240 | 1 | 1.554 | 33 | 2400 | 120 (54.4) |
| WD25432A | 25 | 480 | 3 | 85,300 | 30.1 | 480 | 1 | 0.777 | 33 | 2400 | 120 (54.4) |
| WD25632A | 25 | 600 | 3 | 85,300 | 24.1 | 240 | 1 | 1.8 | 33 | 2400 | 135 (61.2) |
| WD30832A | 30 | 208 | 3 | 102,360 | 83.3 | 208 | 1 | 1.793 | 39 | 2400 | 120 (54.4) |
| WD30232A | 30 | 240 | 3 | 102,360 | 72.2 | 240 | 1 | 1.554 | 39 | 2400 | 120 (54.4) |
| WD30432A | 30 | 480 | 3 | 102,360 | 36.1 | 480 | 1 | 0.777 | 39 | 2400 | 120 (54.4) |
| WD30632A | 30 | 600 | 3 | 102,360 | 28.9 | 240 | 1 | 1.8 | 39 | 2400 | 135 (61.2) |
| WD39432A | 39 | 480 | 3 | 133,068 | 46.9 | 480 | 1 | 0.777 | 51 | 2400 | 120 (54.4) |
| WD39632A | 39 | 600 | 3 | 133,068 | 37.6 | 240 | 1 | 1.8 | 51 | 2400 | 135 (61.2) |

NOTA: los calefactores de más de 48 A requieren fusibles adicionales.

GUARDE ESTAS INSTRUCCIONES

INSTRUCCIONES IMPORTANTES

⚠️ ADVERTENCIA ⚠️

AL UTILIZAR ARTEFACTOS ELÉCTRICOS, PARA REDUCIR EL RIESGO DE INCENDIO, CHOQUE ELÉCTRICO Y LESIONES PERSONALES DEBEN OBSERVARSE SIEMPRE ALGUNAS PRECAUCIONES BÁSICAS, COMO LAS SIGUIENTES:

1. Lea todas las instrucciones antes de instalar o utilizar este calefactor.
2. Este calefactor es un producto comercial/industrial, que no está destinado a su empleo en un entorno residencial.
3. Este calefactor tiene en su interior piezas calientes y piezas en las que se producen arcos o chispas, y no está destinado a su empleo en atmósferas peligrosas en las que se usen o almacenen vapores, gases o líquidos inflamables u otras atmósferas combustibles como las define el Código Eléctrico Nacional de los EE. UU. Si esto no se cumple, puede producirse una explosión o incendio.
4. Cuando está en funcionamiento, el calefactor está muy caliente. Para evitar quemaduras, no deje que su piel haga contacto directo con las superficies calientes. Mantenga los materiales combustibles como muebles, almohadas, ropas de cama, papeles, ropas, cortinas, etc. a 0.9 m (3 pies) como mínimo del frente del calefactor.
5. Se necesita extremo cuidado al utilizar cualquier calefactor junto a o cerca de niños o inválidos, y en todo momento en que el calefactor quede funcionando y desatendido.
6. No opere ningún calefactor después de que haya tenido una falla de funcionamiento. Desconecte la alimentación eléctrica en el tablero de servicio y haga revisar el calefactor por un electricista calificado antes de usarlo.
7. No use el equipo en exteriores.
8. Para desconectar el calefactor, lleve los controles a la posición APAGADO (OFF) y desconecte la alimentación del circuito del calefactor en el tablero de desconexión principal.
9. No inserte ni permita que entren objetos extraños en ninguna abertura de ventilación o de descarga, porque esto puede ser causa de choque eléctrico, incendio o daño al calefactor.
10. Para evitar un posible incendio, no bloquee de ningún modo la entrada ni la descarga de aire.
11. Utilice este calefactor únicamente de la manera descrita en este manual. Cualquier otra forma de uso no recomendada por el fabricante puede ser causa de incendio, choque eléctrico o daños personales.
12. Al realizar la instalación, vea las advertencias y precauciones adicionales en las INSTRUCCIONES DE INSTALACIÓN.
13. Para garantizar una operación segura y eficiente, y para extender la vida útil de su calefactor, manténgalo limpio. Vea las INSTRUCCIONES DE MANTENIMIENTO.

NO ES PARA USO RESIDENCIAL.

⚠️ ADVERTENCIA ⚠️

Para evitar un posible incendio, lesiones personales o daños al calefactor, observe lo siguiente:

Nota importante: este calefactor debe ser instalado por una persona competente.

1. Antes de proceder a tareas de conexión o de reparación del calefactor, desconecte toda la alimentación eléctrica que llega al mismo desde el tablero principal de servicio.
2. Todos los procedimientos de cableado y conexiones deben hacerse de conformidad con los códigos nacionales y locales que tengan jurisdicción, y el calefactor debe estar conectado a tierra.

ATENCIÓN: todos los conductos y accesorios de conexión deben estar aprobados (Listed) para aplicaciones estancas, a fin de mantener la clasificación de gabinete NEMA 4X para prevenir que el agua dirigida por una manguera ingrese a la caja eléctrica.

3. Verifique que la tensión de alimentación provista al calefactor coincida con la tensión nominal indicada en la placa de características del mismo.

ATENCIÓN: SI SE ENERGIZA UN CALEFACTOR CON UNA TENSIÓN MAYOR QUE EL VALOR DE TENSIÓN IMPRESO EN LA PLACA DE CARACTERÍSTICAS, SE DAÑARÁ EL CALEFACTOR, SE ANULARÁ LA GARANTÍA, Y PODRÍA PRODUCIRSE UN INCENDIO.

4. Para reducir el riesgo de incendio, no almacene ni use gasolina u otros vapores y líquidos inflamables en las cercanías del calefactor.
5. La estructura de montaje en el cielorraso o en la pared, así como los medios de anclaje, deben ser suficientemente resistentes para soportar el peso combinado del calefactor y del soporte de montaje. Vea el peso total en Especificaciones.
6. El calefactor debe montarse para flujo de aire horizontal únicamente. El calefactor debe montarse a 2134 mm (7') por encima del piso como mínimo, a fin de evitar el contacto accidental con la paleta del ventilador, que podría causar lesiones.
7. Mantenga un espacio libre de 1524 mm (5') como mínimo al frente del calefactor. Para ver los requisitos de espacio libre lateral, superior y posterior consulte la Figura 2.
8. No monte un termostato del tipo de mercurio directamente sobre la unidad. La vibración podría hacer que el calefactor funcione mal.
9. La rejilla de salida está formada en fábrica con celosías colocadas en un ángulo de 45°. Este es el ángulo mínimo admisible para evitar un posible sobrecalentamiento. Las celosías pueden abrirse hasta a 90° si se desea, para permitir un mayor alcance del chorro de aire al doblar cada celosía hacia afuera. Vea la Figura 3.

INSTRUCCIONES DE INSTALACIÓN

Información general

Instrucciones sobre la ubicación del calefactor:

Disponga las unidades de manera que las corrientes de aire de descarga:

- A. Estén sujetas a un mínimo de interferencia a causa de columnas, maquinaria y tabiques;
- B. Se deslicen por las paredes expuestas sin impactar directamente contra ellas;

C. Se dirijan lejos de los ocupantes de la habitación en aplicaciones de calefacción ambiental;

D. Se dirijan a lo largo del lado de donde viene el viento, cuando se instalan en un edificio expuesto a un viento preponderante.

Localice el termostato en postes o paredes divisorias interiores, lejos de corrientes de aire frío, fuentes de calor internas y de las corrientes de aire de descarga de calefactores.

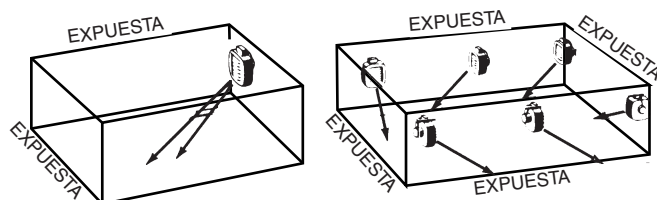


Figura 1

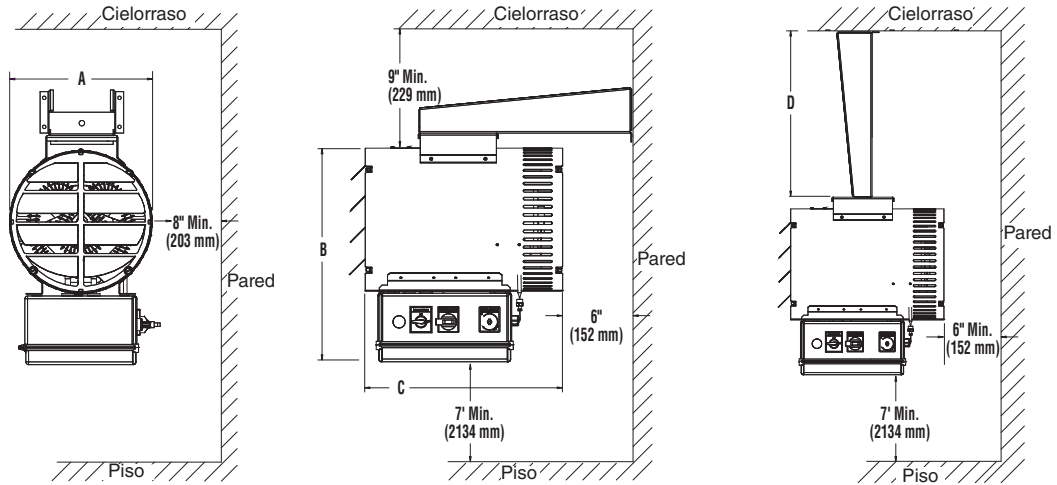


Figura 2

| kW | Dimensiones, pulgadas (mm) | | | |
|-----------|----------------------------|------------|----------|------------|
| | A | B | C | D |
| 2-10 | 13 (330) | 19.5 (495) | 18 (457) | 19.5 (495) |
| 12.5-39.0 | 20 (508) | 31 (787) | 27 (686) | 24.2 (615) |

Las habitaciones pequeñas pueden usar una unidad calefactora única. Cuando hay dos paredes expuestas, el calefactor debe montarse como se muestra en la Figura 1.

Las habitaciones grandes requieren instalaciones de unidades múltiples. La cantidad y la capacidad de las unidades se determinará de acuerdo con el volumen del edificio y el área de piso (pies cuadrados) a calefaccionar. Disponga las unidades para proporcionar una circulación de aire perimetral, en la que cada unidad soporte la corriente de aire de otra.

Montaje de los calefactores con el soporte de montaje universal provisto

AVISO — estos calefactores están diseñados para montaje en pared o en cielorraso con descarga de aire horizontal únicamente. Los otros modos de montaje anulan la garantía de fábrica.

1. Altura sobre el piso
 - A. En áreas en las que la altura del cielorraso sea mayor de 3658 mm (12 pies), la altura de montaje recomendada es aproximadamente 3048 mm (10 pies), medida desde la cara inferior del calefactor.
 - B. Para alturas de cielorraso de 3658 mm (12 pies) o menores, la altura de montaje máxima está determinada por el uso del soporte de montaje que se ofrece con estos calefactores. El espaciado mínimo al cielorraso es 229 mm (9"). (Vea la Figura 2).
 - C. En uno u otro caso, la altura de montaje mínima es 2134 mm (7 pies), medida desde el piso hasta el fondo del calefactor. Figura 2.
2. Espaciado respecto a las paredes adyacentes (vea la Figura 2).
 - A. Desde la parte trasera del gabinete hasta la pared posterior: mín. 152 mm (6").
 - B. Desde el costado del gabinete hasta la pared lateral: mín. 203 mm (8").

NOTA: si se hacen funcionar dos o más unidades en el mismo espacio de aire cerrado, sus descargas deben dirigirse de manera de ayudar al desarrollo del movimiento de la masa de aire, a fin de lograr una dispersión uniforme del calor.

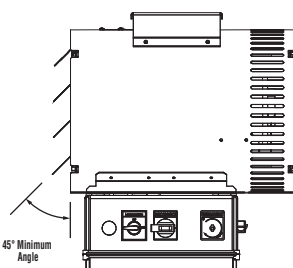


Figura 3 - Ajuste de las celosías

Conexión

Consulte el diagrama de conexión incluido con la unidad.

El diagrama de conexión puede encontrarse en el interior de la puerta del compartimento de cables. Si tiene preguntas que hacer, comuníquese con el Servicio Técnico llamando al 800-642-4328. Tenga como referencia el número de modelo que se encuentra en la placa de identificación.

PRECAUCION ⚠

TODOS LOS CONDUCTOS Y ACCESORIOS DE CONEXIONADO DEBEN ESTAR APROBADOS (LISTED) PARA APLICACIONES ESTANCAS, A FIN DE MANTENER LA CLASIFICACION DE GABINETE NEMA 4X PARA PREVENIR QUE EL AGUA DIRIGIDA POR UNA MANGUERA INGRESE A LA CAJA ELÉCTRICA.

NOTA: todo el cableado eléctrico debe hacerse de acuerdo con el Código Eléctrico Nacional de los EE. UU. y los códigos locales.

NOTA IMPORTANTE - Par de apriete de los terminales de tornillo en la instalación: Durante el transporte es posible que las conexiones de los terminales de tornillo se aflojen. Después de la instalación, antes de conectar la alimentación eléctrica al calefactor, revise las conexiones de los terminales de tornillo para verificar que cumplan con el valor de par de apriete recomendado de 3.9 N·m (35 lb-pulg.). Se incluye una herramienta para apretar los terminales en ubicaciones difíciles de alcanzar.

⚠ ADVERTENCIA ⚠

RIESGO DE CHOQUE ELÉCTRICO. TODA INSTALACIÓN QUE INCLUYA CALEFACTORES ELÉCTRICOS DEBE SER REALIZADA POR UNA PERSONA COMPETENTE Y DEBE ESTAR CONECTADA A TIERRA DE MANERA EFECTIVA, DE ACUERDO CON EL CÓDIGO ELÉCTRICO NACIONAL DE LOS EE. UU., A FIN DE ELIMINAR EL RIESGO DE CHOQUE ELÉCTRICO.

1. Conecte el calefactor únicamente a un circuito apto para la tensión (V), corriente (A) y frecuencia (Hz) especificadas en la placa de características.
2. Todas las unidades están provistas de borneras de control y de alimentación eléctrica para las conexiones del cliente.
3. Se ha provisto una protección contra sobrecalentamiento por medio de un interruptor térmico automático (el interruptor con reposición manual es opcional) que abre el circuito eléctrico si se restringe o interrumpe el flujo de aire normal. El interruptor vuelve a energizar el calefactor de manera automática cuando se elimina la obstrucción. Si se dispara el dispositivo de reposición manual opcional, determine la causa antes de volver a energizar el calefactor.

⚠ ADVERTENCIA ⚠

EL DISEÑADOR DEL SISTEMA ES RESPONSABLE DE LA SEGURIDAD DE ESTE EQUIPO, Y DEBE INSTALAR CONTROLES DE RESPALDO Y DISPOSITIVOS DE CONTROL ADECUADOS CON SU EQUIPO DE CALEFACCION ELÉCTRICA. ALLÍ DONDE LAS CONSECUENCIAS DE UNA FALLA PODRÍAN PROVOCAR LESIONES PERSONALES O DAÑOS MATERIALES, LOS CONTROLES DE RESPALDO SON IMPRESCINDIBLES.

4. Los calefactores están equipados con un control de retardo de ventilador. Este control hace que continúe la operación del ventilador durante un tiempo breve después de que los elementos calefactores se hayan desenergizado, a fin de disipar el calor residual.

⚠️ ADVERTENCIA ⚠️

DEBE VERIFICARSE LA ROTACIÓN DE LA PALETA DEL VENTILADOR. SI NO HAY FLUJO DE AIRE QUE PASE A TRAVÉS DE LA REJILLA DE SALIDA, INTERCAMBIE DOS CUALESQUIERA DE LOS TRES CABLES DE CONEXIÓN DE ALIMENTACIÓN ELÉCTRICA (EN UNIDADES TRIFÁSICAS ÚNICAMENTE).

Equipos opcionales

- **Termostato incorporado** (del tipo de bulbo y capilar) para control automático de la temperatura. El termostato controla los elementos calefactores y el ventilador simultáneamente a fin de alcanzar la temperatura de ajuste. La temperatura de ajuste en la posición 'Bajo' (Lo) del termostato es aproximadamente 4.4 °C (40 °F), y en la posición 'Alto' (Hi) es aproximadamente 32.2 °C (90 °F).
- **Selector de modo** (calefactor encendido, calefactor apagado, ventilador únicamente) para permitir el flujo de aire a la vez que se energizan o no los elementos calefactores. El interruptor es accesible desde afuera del gabinete NEMA 4X.
- **Luz indicadora (piloto)** para indicar que los elementos calefactores están energizados.
- **Fusible interno**
- **Límite térmico con reposición manual**
- **Interruptor Encendido/Apagado (ON/OFF)**
- Para ver los diagramas de conexionado que contienen las opciones, vea la etiqueta en el interior de la cubierta de la caja de terminales.

INSTRUCCIONES DE OPERACIÓN

1. El calefactor debe instalarse correctamente antes de ponerlo en funcionamiento.
2. Para revisar la instalación, lleve el Selector de modo a la posición Apagado (OFF). Conecte la alimentación eléctrica al calefactor en el tablero de desconexión principal y verifique que el calefactor no esté funcionando. Si funciona, desconecte la alimentación eléctrica y revise el cableado.
3. Haga girar el termostato en sentido horario hasta la posición de calor máximo. Con el selector Calor-Frío en la posición Apagado (OFF), el calefactor no debe funcionar.
4. Lleve el selector Calor-Frío (Heat-Cool) a la posición Ventilador únicamente (Fan Only). El ventilador debe encenderse y funcionar sin calor.
5. Lleve el selector Calor-Frío (Heat-Cool) a la posición Calor (Heat). El ventilador y el calefactor deben encenderse, y debe haber producción de calor.
6. Debe permitirse al calefactor funcionar con el termostato en la posición de calor máximo hasta que la temperatura de la habitación alcance el nivel deseado. Luego debe hacerse rotar el termostato en sentido antihorario hasta que los elementos calefactores se apaguen (debe oírse un clic). Esto debe permitir que el termostato haga describir al calefactor ciclos de encendido y apagado para mantener esta temperatura. Es posible que se necesite hacer ajustes finos para obtener la temperatura ambiente deseada en la habitación. Al hacer girar ligeramente el termostato en sentido horario aumentará la temperatura ambiente de la habitación, mientras que al hacerlo en sentido antihorario disminuirá la temperatura ambiente de la habitación.

NOTA: el retardo de ventilador incorporado hará que el ventilador funcione después de que los elementos se apaguen, a fin de disipar el calor residual.

NOTA: si se suministra la opción del interruptor de desconexión, el mismo será accesible desde el exterior de la caja de control y estará marcado con las leyendas Encendido (ON) y Apagado (OFF). En la posición Apagado (OFF), el calefactor no funcionará.

NOTA: si se suministra la opción de interruptor térmico con reposición manual, el botón REPOSICIÓN (RESET) estará marcado y será accesible en el panel de control. Este control de seguridad funcionará únicamente si se sobrecalienta el calefactor.

⚠️ ADVERTENCIA ⚠️

NO ALTERE NI PUENTEE NINGÚN LÍMITE DE SEGURIDAD INTERNO DEL CALEFACTOR.

INSTRUCCIONES DE MANTENIMIENTO

Es importante mantener limpio este calefactor. Su calefactor le brindará muchos años de servicio y confort con sólo un mínimo de cuidado. Para asegurar un funcionamiento eficiente, observe las instrucciones simples que se indican a continuación.

⚠️ ADVERTENCIA ⚠️

TODO SERVICIO, MÁS ALLÁ DE UNA SIMPLE LIMPIEZA, QUE REQUIERA UN DESMONTAJE DEBE SER REALIZADO POR PERSONAL DE SERVICIO CALIFICADO.

⚠️ ADVERTENCIA ⚠️

PARA REDUCIR EL RIESGO DE INCENDIO Y DE CHOQUE ELÉCTRICO O LESIONES, DESCONECTE TODA LA ALIMENTACIÓN ELÉCTRICA QUE LLEGA AL CALEFACTOR EN EL TABLERO PRINCIPAL DE SERVICIO Y VERIFIQUE QUE EL ELEMENTO CALEFACTOR ESTÉ FRÍO ANTES DE PRESTAR SERVICIO O DE REALIZAR EL MANTENIMIENTO.

Instrucciones de limpieza de mantenimiento:

1. Desconecte la alimentación eléctrica del calefactor y deje que los elementos calefactores se enfríen.
2. Antes de activar el calefactor para una nueva temporada de calefacción, límpielo por aspiración o lávelo con manguera, con agua a la presión de suministro, para eliminar el polvo y la pelusa acumulados que podrían generar humo o quemarse en el calentamiento inicial.
3. Vuelva a conectar la alimentación eléctrica al calefactor y asegúrese de que funcione correctamente.

Maintenance Cleaning Instructions:

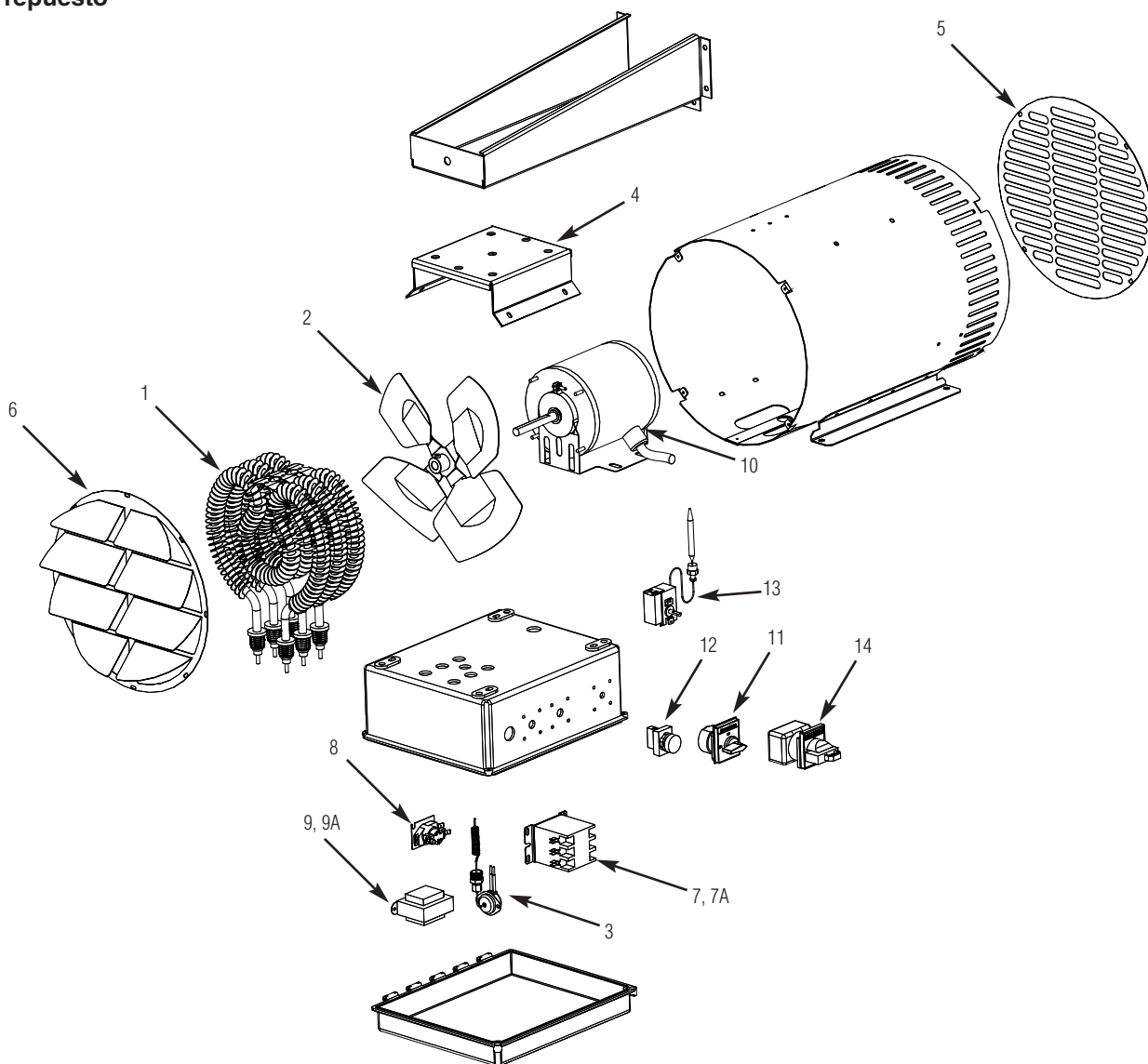
(a realizarse únicamente por personal de servicio calificado)

Al menos una vez por año, un técnico de servicio calificado debe limpiar y prestar servicio al calefactor para garantizar un funcionamiento seguro y eficiente. Esto debe incluir, según sea necesario, la aspiración del polvo y los desperdicios de los elementos calefactores y del ventilador, y la revisión de las conexiones de los terminales de tornillo para verificar que cumplan con el valor de par de apriete recomendado de 3.9 N-m (35 lb-pulg.). Si fuera necesario, use la(s) herramienta(s) incluida(s) para los terminales ubicados en lugares difíciles de alcanzar. Después de terminada la limpieza y servicio, el calefactor debe volver a montarse completamente y verificarse que funcione correctamente.

NOTA IMPORTANTE: para el caso de los calefactores que se lavan con manguera, se recomienda realizar periódicamente lo siguiente. Después del lavado (con la alimentación eléctrica desconectada en el tablero principal), abra la cubierta del compartimiento de cables e inspeccione el interior para comprobar si ha habido penetración de agua. Si se descubre agua, debe hacerse reparar el calefactor por un electricista competente para asegurar que los sellos estén instalados correctamente.

Durante cada limpieza deben inspeccionarse todos los sellos para comprobar si presentan daños, ya que esto es fundamental para que mantengan un sellado estanco. Si se encuentran daños (como desgarros o grietas), los sellos deben reemplazarse o repararse con un sellador de silicona apropiado.

Piezas de repuesto



Elementos calefactores (1)

| Calefactor KW | 120 V | 208 V | 240 V | 277 V | 480 V | 600 V |
|---------------|----------------|----------------|----------------|----------------|---|----------------|
| 2 | 1802-11012-001 | 1802-11012-002 | 1802-11012-003 | - | - | |
| 3 | 1802-11012-001 | 1802-11012-002 | 1802-11012-003 | 1802-11012-004 | 1802-11012-004 | |
| 5 | - | 1802-11012-005 | 1802-11012-006 | 1802-11012-007 | 1802-11012-008 1PH 1802-11012-007 3 PH | 1802-11012-027 |
| 7.5 | - | 1802-11012-011 | 1802-11012-012 | 1802-11012-009 | 1802-11012-008 | 1802-11012-027 |
| 10 | - | 1802-11012-010 | 1802-11012-011 | 1802-11012-012 | 1802-11012-013 | 1802-11012-028 |
| 12.5 | - | 1802-11013-001 | 1802-11013-002 | - | 1802-11013-003 | 1802-11013-021 |
| 15 | - | 1802-11013-004 | 1802-11013-005 | - | 1802-11013-006 | 1802-11012-027 |
| 20 | - | - | 1802-11013-007 | - | 1802-11013-008 | 1802-11012-010 |
| 25 | - | 1802-11013-001 | 1802-11013-002 | - | 1802-11013-003 | 1802-11012-011 |
| 30 | - | 1802-11013-004 | 1802-11013-005 | - | 1802-11013-006 | 1802-11013-022 |
| 39 | - | - | - | - | 1802-11013-009 | 1802-11013-023 |

Piezas mecánicas e interruptor térmico según potencia (kW)

| Potencia del calefactor (kW) | Paleta del ventilador (2) | Limite (3) | Soporte de montaje (4) | Rejilla de entrada (5) | Rejilla de salida (6) |
|------------------------------|---------------------------|----------------|------------------------|------------------------|-----------------------|
| 2kw, 3kw, 5kw, 7.5kw | 1210-11007-003 | 4520-11013-000 | 1215-11081-000 | 2504-11018-000 | 2504-11019-001 |
| 10kw | 1210-11007-002 | | | | |
| 12.5kw | 1210-11008-000 | 4520-11013-001 | 1215-11081-001 | 2504-11020-000 | 2504-11021-001 |
| 15kw, 20kw, 25kw, 30kw, 39kw | 1210-11008-001 | | | | |

Piezas eléctricas

| Potencia del calefactor (kW) | Tensión de línea del calefactor | Tensión de control del calefactor | Fases del calefactor | Contactador (7) | Contactador (7A) | Retardo de ventilador Relé (8) | Transformador (9) | ransformador (9A) | Bornera (No se muestra) |
|--|---------------------------------|-----------------------------------|----------------------|-----------------|------------------|--------------------------------|-------------------|-------------------|---|
| 2kw, 3kw, 5kw, 7.5kw, 10kw | 120 | 24 | 1 | 5018-0006-000 | N/A | 5018-11005-000 | 5814-0003-006 | N/A | 5823-0004-002 (480V also req 2900-0030-000) |
| | 208 | 24 | 1 or 3 | | | | 5814-0003-000 | | |
| | 240 | 24 | | | | | 5814-0003-000 | | |
| | 277 | 24 | 1 | | | | 5814-0003-001 | | |
| | 480 | 24 | 1 or 3 | | | | 5814-0003-002 | | |
| | 600 | 24 | 3 | | | | 5018-0006-000 | | |
| 2kw, 3kw, 5kw, 7.5kw, 10kw | 120 | 120 | 1 | 5018-0006-001 | N/A | 5018-11005-001 | N/A | N/A | |
| | 208 | 120 | 1 or 3 | | | | 5814-0003-003 | | |
| | 240 | 120 | | | | | 5814-0003-003 | | |
| | 277 | 120 | 1 | | | | 5814-0003-004 | | |
| | 480 | 120 | 1 or 3 | | | | 5814-0003-005 | | |
| | 600 | 120 | 3 | | | | 5018-0006-001 | | |
| Unfused large units 12.5kw,15kw, | 208 | 24 | 3 | 5018-0006-000 | 5018-11005-000 | | 5814-0003-000 | | |
| | 240 | 24 | | | | | 5814-0003-000 | | |
| | 480 | 24 | | | | | 5814-0003-002 | | |
| | 600 | 24 | | | | | 5814-0003-000 | | |
| | 208 | 120 | 3 | 5018-0006-001 | 5018-11005-001 | | 5814-0003-003 | | |
| | 240 | 120 | | | | | 5814-0003-003 | | |
| | 480 | 120 | | | | | 5814-0003-005 | | |
| | 600 | 120 | | | | | 5814-0003-003 | | |
| Fused large units | 208 | 24 | 1 | 5018-0006-000 | 5018-11005-000 | | 5814-0003-000 | | 480034002 |
| | 240 | 24 | | | | | 5814-0003-000 | | |
| | 480 | 24 | | | | | 5814-0003-002 | | |
| | 208 | 120 | 1 | 5018-0006-001 | 5018-11005-001 | | 5814-0003-003 | | |
| | 240 | 120 | | | | | 5814-0003-003 | | |
| | 480 | 120 | | | | | 5814-0003-005 | | |

Piezas eléctricas (continuación)

| Potencia del calefactor (kW) | Tensión de línea del | Tensión de control del | Fases del calefactor | Motor (10) | Selector de modo (11) (accesorio) | Luz indicadora (piloto) verde (12) (accesorio) | | |
|---------------------------------------|----------------------|------------------------|----------------------|----------------|-----------------------------------|--|---|----------------|
| 2kw, 3kw, 5kw, 7.5kw, 10kw | 120 | 24 | 1 | 3900-11029-002 | 5216-11016-000 | 3510-11009-000 | | |
| | 208 | 24 | 1 or 3 | 3900-11029-000 | | | | |
| | 240 | 24 | | | | | | |
| | 277 | 24 | 1 | 3900-11029-001 | | | | |
| | 480 | 24 | 1 or 3 | 3900-11029-000 | | | | |
| | 600 | 24 | 3 | | | | | |
| 2kw, 3kw, 5kw, 7.5kw, 10kw | 120 | 120 | 1 | 3900-11029-002 | | 3510-11009-001 | | |
| | 208 | 120 | 1 or 3 | 3900-11029-000 | | | | |
| | 240 | 120 | | | | | | |
| | 277 | 120 | 1 | 3900-11029-001 | | | | |
| | 480 | 120 | 1 or 3 | 3900-11029-000 | | | | |
| | 600 | 120 | 3 | | | | | |
| Unfused large units 12.5kw,15kw | 208 | 24 | 3 | 3900-11031-000 | | 3510-11009-000 | | |
| | 240 | 24 | | | | | | |
| | 480 | 24 | | | | | | |
| | 600 | 24 | 3 | 3900-11031-000 | | 3510-11009-001 | | |
| | 208 | 120 | 3 | | | | | |
| | 240 | 120 | | | | | | |
| Fused large units | 480 | 120 | 3 | 3900-11031-000 | 5216-11016-000 | 3510-11009-000 | | |
| | 600 | 120 | | | | | | |
| | 208 | 24 | | | | | 1 | |
| | 240 | 24 | 1 | 3900-11031-000 | | | | 3510-11009-001 |
| | 480 | 24 | | | | | | |
| | 208 | 120 | | | | | | |
| | 240 | 120 | | | | | | |
| 480 | 120 | | | | | | | |

Interruptor de desconexión (14)

| Calibre (A) | Número de pieza |
|-------------|-----------------|
| 40 | 4529-11009-031 |
| 60 | 4529-11009-032 |
| 100 | 4529-11009-033 |
| 125 | 4529-11009-034 |

Otras piezas

| Descripción | Número de pieza |
|-----------------------|-----------------|
| Termostato (13) | 5813-11010-000 |
| Junta (no se muestra) | 5206-11009-000 |

GARANTÍA LIMITADA

Todos los productos fabricados por Marley Engineered Products están garantizados contra defectos de fabricación y de materiales por 1 año desde la fecha de instalación. Esta garantía no se aplica a daños debidos a accidente, mal uso o alteración, ni a los casos en que la tensión eléctrica conectada supere a la tensión nominal -indicada en la placa de características- en más de 5 %, ni a equipos que hayan sido instalados o cableados incorrectamente, o mantenidos en forma que no cumpla lo indicado en las instrucciones de instalación del producto. Todo reclamo por trabajos en garantía debe acompañarse con una prueba de la fecha de instalación.

El cliente será responsable de todos los costos incurridos en el retiro o reinstalación de productos, incluyendo los costos de mano de obra y los costos de envío incurridos para regresar productos a un Centro de Servicio de Marley Engineered Products. Dentro de las limitaciones de esta garantía, las unidades que no funcionan deben regresarse al centro de servicio autorizado Marley más cercano, o al Centro de Servicio de Marley Engineered Products, y nosotros lo repararemos o reemplazaremos, a nuestra opción, sin cargo para usted, con el flete de retorno pagado por Marley. Se acuerda que tal reparación o reemplazo es el único recurso que Marley Engineered Products pone a su disposición.

LAS GARANTÍAS EXPUESTAS MÁS ARRIBA TOMAN EL LUGAR DE TODA OTRA GARANTÍA, EXPRESA O IMPLÍCITA, Y POR LA PRESENTE SE DECLINA Y EXCLUYE DE ESTE ACUERDO TODA GARANTÍA IMPLÍCITA DE COMERCIABILIDAD Y ADECUACIÓN A UN PROPÓSITO PARTICULAR QUE EXCEDA LAS GARANTÍAS EXPRESAS ANTEDICHAS. MARLEY ENGINEERED PRODUCTS NO SE HARÁ RESPONSABLE POR DAÑOS CONSIGUIENTES QUE SE PRODUZCAN CON RESPECTO AL PRODUCTO, EN BASE YA SEA A NEGLIGENCIA, AGRAVIO, RESPONSABILIDAD ESTRICTA, O CONTRATO.

Algunos estados o jurisdicciones no permiten la exclusión o limitación de daños incidentales o consiguientes, de modo que la exclusión o limitación expresada más arriba puede no aplicarse a su caso. Esta garantía le da derechos legales específicos, y usted puede tener también otros derechos, que varían de un estado o jurisdicción a otro.

Para obtener la dirección de su centro de servicio autorizado más cercano comuníquese con Marley Engineered Products en Bennettsville, SC, Estados Unidos, llamando al 1-800-642-4328. Toda mercadería regresada a la fábrica debe ser acompañada por una autorización de retorno y una etiqueta de identificación de servicio, disponibles ambas en Marley Engineered Products. Cuando solicite la autorización de retorno, incluya todos los números de catálogo mostrados en los productos.

CÓMO OBTENER SERVICIO EN GARANTÍA, PIEZAS DE REPUESTO E INFORMACIÓN GENERAL

- | | |
|--|--|
| 1. Servicio o repuestos en garantía | 1-800-642-4328 |
| 2. Compra de repuestos | 1-800-654-3545 |
| 3. Información general sobre productos | www.marleymep.com |

Nota: cuando solicite servicio, siempre dé la información que sigue:

1. Número de modelo del producto
2. Fecha de fabricación
3. Número de parte o descripción



Marley®
Engineered Products

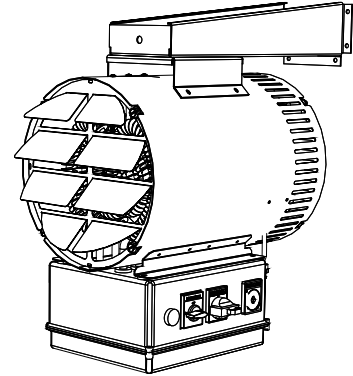
470 Beauty Spot Rd. East
Bennettsville, SC 29512 USA



Marley®
Engineered Products

Série WD

Radiateur résistant à la corrosion



Instructions d'installation, d'utilisation et d'entretien

Spécifications

| N° modèle | KW | Volts | Phase | Puissance BTU/H | Ampères radiateur | Volts moteur | Phase moteur | Ampères moteur | Montée en temp. | CFM | Poids lbs (kg) |
|-----------|------|-------|-------|-----------------|-------------------|--------------|--------------|----------------|-----------------|------|----------------|
| WD02112A | 2 | 120 | 1 | 6,824 | 16.7 | 120 | 1 | 1.554 | 9 | 700 | 60 (27.2) |
| WD02812A | 2 | 208 | 1 | 6,824 | 9.6 | 208 | 1 | 0.896 | 9 | 700 | 60 (27.2) |
| WD02212A | 2 | 240 | 1 | 6,824 | 8.3 | 240 | 1 | 0.777 | 9 | 700 | 60 (27.2) |
| WD03112A | 3 | 120 | 1 | 10,236 | 25.0 | 120 | 1 | 1.554 | 14 | 700 | 60 (27.2) |
| WD03812A | 3 | 208 | 1 | 10,236 | 14.4 | 208 | 1 | 0.896 | 14 | 700 | 60 (27.2) |
| WD03212A | 3 | 240 | 1 | 10,236 | 12.5 | 240 | 1 | 0.777 | 14 | 700 | 60 (27.2) |
| WD03712A | 3 | 277 | 1 | 10,236 | 10.8 | 277 | 1 | 0.673 | 14 | 700 | 60 (27.2) |
| WD03832A | 3 | 208 | 3 | 10,236 | 8.3 | 208 | 1 | 0.896 | 14 | 700 | 60 (27.2) |
| WD03232A | 3 | 240 | 3 | 10,236 | 7.2 | 240 | 1 | 0.777 | 14 | 700 | 60 (27.2) |
| WD03432A | 3 | 480 | 3 | 10,236 | 3.6 | 480 | 1 | 0.388 | 14 | 700 | 60 (27.2) |
| WD05812A | 5 | 208 | 1 | 17,060 | 24.0 | 208 | 1 | 0.896 | 23 | 700 | 60 (27.2) |
| WD05212A | 5 | 240 | 1 | 17,060 | 20.8 | 240 | 1 | 0.777 | 23 | 700 | 60 (27.2) |
| WD05712A | 5 | 277 | 1 | 17,060 | 18.1 | 277 | 1 | 0.673 | 23 | 700 | 60 (27.2) |
| WD05412A | 5 | 480 | 1 | 17,060 | 10.4 | 480 | 1 | 0.388 | 23 | 700 | 60 (27.2) |
| WD05832A | 5 | 208 | 3 | 17,060 | 13.9 | 208 | 1 | 0.896 | 23 | 700 | 60 (27.2) |
| WD05232A | 5 | 240 | 3 | 17,060 | 12.0 | 240 | 1 | 0.777 | 23 | 700 | 60 (27.2) |
| WD05432A | 5 | 480 | 3 | 17,060 | 6.0 | 480 | 1 | 0.388 | 23 | 700 | 60 (27.2) |
| WD05632A | 5 | 600 | 3 | 17,060 | 4.8 | 240 | 1 | 1.8 | 23 | 1450 | 75 (34) |
| WD07812A | 7.5 | 208 | 1 | 25,590 | 36.1 | 208 | 1 | 0.896 | 34 | 700 | 60 (27.2) |
| WD07212A | 7.5 | 240 | 1 | 25,590 | 31.3 | 240 | 1 | 0.777 | 34 | 700 | 60 (27.2) |
| WD07712A | 7.5 | 277 | 1 | 25,590 | 27.1 | 277 | 1 | 0.673 | 34 | 700 | 60 (27.2) |
| WD07412A | 7.5 | 480 | 1 | 25,590 | 15.6 | 480 | 1 | 0.388 | 34 | 700 | 60 (27.2) |
| WD07832A | 7.5 | 208 | 3 | 25,590 | 20.8 | 208 | 1 | 0.896 | 34 | 700 | 60 (27.2) |
| WD07232A | 7.5 | 240 | 3 | 25,590 | 18.0 | 240 | 1 | 0.777 | 34 | 700 | 60 (27.2) |
| WD07432A | 7.5 | 480 | 3 | 25,590 | 9.0 | 480 | 1 | 0.388 | 34 | 700 | 60 (27.2) |
| WD07632A | 7.5 | 600 | 3 | 25,590 | 7.2 | 240 | 1 | 1.8 | 34 | 1450 | 75 (34) |
| WD10212A | 10 | 240 | 1 | 34,120 | 41.7 | 240 | 1 | 0.777 | 22 | 1450 | 60 (27.2) |
| WD10712A | 10 | 277 | 1 | 34,120 | 36.1 | 277 | 1 | 0.673 | 22 | 1450 | 60 (27.2) |
| WD10412A | 10 | 480 | 1 | 34,120 | 20.8 | 480 | 1 | 0.388 | 22 | 1450 | 60 (27.2) |
| WD10832A | 10 | 208 | 3 | 34,120 | 27.8 | 208 | 1 | 0.896 | 22 | 1450 | 60 (27.2) |
| WD10232A | 10 | 240 | 3 | 34,120 | 24.1 | 240 | 1 | 0.777 | 22 | 1450 | 60 (27.2) |
| WD10432A | 10 | 480 | 3 | 34,120 | 12.0 | 480 | 1 | 0.388 | 22 | 1450 | 60 (27.2) |
| WD10632A | 10 | 600 | 3 | 34,120 | 9.6 | 240 | 1 | 1.8 | 33 | 2400 | 75 (34) |
| WD12812A | 12.5 | 208 | 1 | 42,650 | 60.1 | 208 | 1 | 1.793 | 27 | 1450 | 60 (27.2) |
| WD12212A | 12.5 | 240 | 1 | 42,650 | 52.1 | 240 | 1 | 1.554 | 27 | 1450 | 60 (27.2) |
| WD12832A | 12.5 | 208 | 3 | 42,650 | 34.7 | 208 | 1 | 1.793 | 27 | 1450 | 60 (27.2) |
| WD12232A | 12.5 | 240 | 3 | 42,650 | 30.1 | 240 | 1 | 1.554 | 27 | 1450 | 60 (27.2) |
| WD12432A | 12.5 | 480 | 3 | 42,650 | 15.0 | 480 | 1 | 0.777 | 27 | 1450 | 60 (27.2) |
| WD12632A | 12.5 | 600 | 3 | 42,650 | 12.0 | 240 | 1 | 1.8 | 27 | 2400 | 75 (34) |
| WD15812A | 15 | 208 | 1 | 51,180 | 72.1 | 208 | 1 | 1.793 | 20 | 2400 | 110 (49.9) |
| WD15212A | 15 | 240 | 1 | 51,180 | 62.5 | 240 | 1 | 1.554 | 20 | 2400 | 110 (49.9) |
| WD15412A | 15 | 480 | 1 | 51,180 | 31.3 | 480 | 1 | 0.777 | 20 | 2400 | 110 (49.9) |
| WD15832A | 15 | 208 | 3 | 51,180 | 41.6 | 208 | 1 | 1.793 | 20 | 2400 | 110 (49.9) |
| WD15232A | 15 | 240 | 3 | 51,180 | 36.1 | 240 | 1 | 1.554 | 20 | 2400 | 110 (49.9) |
| WD15432A | 15 | 480 | 3 | 51,180 | 18.0 | 480 | 1 | 0.777 | 20 | 2400 | 110 (49.9) |
| WD15632A | 15 | 600 | 3 | 51,180 | 14.5 | 240 | 1 | 1.8 | 20 | 2400 | 125 (56.6) |
| WD20412A | 20 | 480 | 1 | 68,240 | 41.7 | 480 | 1 | 0.777 | 26 | 2400 | 120 (54.4) |
| WD20232A | 20 | 240 | 3 | 68,240 | 48.1 | 240 | 1 | 1.554 | 26 | 2400 | 120 (54.4) |
| WD20432A | 20 | 480 | 3 | 68,240 | 24.1 | 480 | 1 | 0.777 | 26 | 2400 | 120 (54.4) |
| WD20632A | 20 | 600 | 3 | 68,240 | 19.3 | 240 | 1 | 1.8 | 26 | 2400 | 135 (61.2) |
| WD25832A | 25 | 208 | 3 | 85,300 | 69.4 | 208 | 1 | 1.793 | 33 | 2400 | 120 (54.4) |
| WD25232A | 25 | 240 | 3 | 85,300 | 60.1 | 240 | 1 | 1.554 | 33 | 2400 | 120 (54.4) |
| WD25432A | 25 | 480 | 3 | 85,300 | 30.1 | 480 | 1 | 0.777 | 33 | 2400 | 120 (54.4) |
| WD25632A | 25 | 600 | 3 | 85,300 | 24.1 | 240 | 1 | 1.8 | 33 | 2400 | 135 (61.2) |
| WD30832A | 30 | 208 | 3 | 102,360 | 83.3 | 208 | 1 | 1.793 | 39 | 2400 | 120 (54.4) |
| WD30232A | 30 | 240 | 3 | 102,360 | 72.2 | 240 | 1 | 1.554 | 39 | 2400 | 120 (54.4) |
| WD30432A | 30 | 480 | 3 | 102,360 | 36.1 | 480 | 1 | 0.777 | 39 | 2400 | 120 (54.4) |
| WD30632A | 30 | 600 | 3 | 102,360 | 28.9 | 240 | 1 | 1.8 | 39 | 2400 | 135 (61.2) |
| WD39432A | 39 | 480 | 3 | 133,068 | 46.9 | 480 | 1 | 0.777 | 51 | 2400 | 120 (54.4) |
| WD39632A | 39 | 600 | 3 | 133,068 | 37.6 | 240 | 1 | 1.8 | 51 | 2400 | 135 (61.2) |

REMARQUE : Les radiateurs de plus de 48 ampères nécessitent une protection par fusibles supplémentaire.

CONSERVEZ CES INSTRUCTIONS

INSTRUCTIONS IMPORTANTES



AVERTISSEMENT



LORS DE L'UTILISATION D'APPAREILS ÉLECTRIQUES, DES PRÉCAUTIONS DE BASE DOIVENT TOUJOURS ÊTRE SUIVIES AFIN DE RÉDUIRE LE RISQUE DE DÉPART D'INCENDIE, DE COMMOTION ÉLECTRIQUE ET DE BLESSURES AUX PERSONNES, INCLUANT CELLES QUI SUIVENT :

1. Lisez toutes les instructions avant d'installer ou d'utiliser le radiateur.
2. Ce radiateur est un produit commercial/industriel, non prévu pour une utilisation en résidentiel.
3. Ce radiateur comporte des pièces intérieures brûlantes qui génèrent des arcs ou des étincelles électriques, il ne doit pas être utilisé dans des atmosphères dangereuses, où sont entreposés ou utilisés des vapeurs ou liquides inflammables, ou d'autres combustibles tels que définis par NEC (norme électrique américaine). La non-observation de cette consigne peut entraîner explosion ou départ d'incendie.
4. Ce radiateur est chaud quand il est en fonctionnement. Pour éviter des brûlures, ne laissez pas de peau nue toucher ses surfaces chaudes. Maintenez les matières combustibles comme le mobilier, les oreillers, la literie, les papiers, les vêtements et les couvertures, à au moins 3 pieds (90 cm) de distance de l'avant du radiateur.
5. Il faut faire très attention quand un radiateur quelconque est utilisé par des enfants ou des personnes invalides ou près d'eux, et à chaque fois que le radiateur est laissé en marche sans surveillance.
6. N'utilisez plus un radiateur s'il a présenté des dysfonctionnements. Débranchez son alimentation au panneau de distribution du secteur et faites-le inspecter par un bon électricien avant de le réutiliser.
7. Ne l'utilisez pas à l'extérieur.
8. Pour déconnecter le radiateur, passez sa commande sur arrêt (Off) et coupez le secteur en amont au panneau de distribution.
9. N'insérez pas d'objets étrangers, et ne permettez pas qu'il en entre, dans toute ouverture d'admission ou d'évacuation, car cela peut causer une commotion électrique ou un départ d'incendie, ou endommager le radiateur.
10. Pour éviter un possible départ d'incendie, n'obstruez en aucune façon les admissions et les échappements d'air.
11. N'utilisez ce radiateur que comme c'est décrit dans ce manuel. Toute autre utilisation non recommandée par le constructeur peut entraîner un départ d'incendie, une commotion électrique ou des blessures aux personnes.
12. Lors de l'installation, voyez les INSTRUCTIONS D'INSTALLATION pour des mises en gardes et précautions supplémentaires.
13. Pour un fonctionnement sûr et efficace, et pour prolonger sa durée de service, gardez votre radiateur propre – Voyez les INSTRUCTIONS D'ENTRETIEN.

RADIATEUR NON PRÉVU POUR UNE UTILISATION RÉSIDENIELLE.



AVERTISSEMENT



Pour éviter un possible départ d'incendie, des blessures corporelles ou des dommages au radiateur, respectez ces consignes :

Remarque importante: Ce radiateur doit être installé par une personne qualifiée.

1. Débranchez toute alimentation secteur arrivant au panneau de service principal avant de câbler ou d'intervenir pour du service.
2. Toutes les procédures de câblage et les raccordements doivent être en conformité avec les normes nationales et locales applicables, et le radiateur doit être relié à la terre.

ATTENTION : Tous les conduits et raccords électriques doivent être listés pour des applications étanches, afin de maintenir la classification NEMA 4X du coffret, qui évite que de l'eau envoyée par jet n'entre dans le boîtier électrique.

3. Vérifiez que la tension du secteur arrivant au radiateur correspond bien aux valeurs spécifiées sur sa plaque signalétique.

ATTENTION : ALIMENTER LE RADIATEUR AVEC UNE TENSION DÉPASSANT LA VALEUR IMPRIMÉE SUR LA PLAQUE SIGNALÉTIQUE ENDOMMAGERA LE RADIATEUR ET ANNULERA SA GARANTIE, ET CELA PEUT PROVOQUER UN DÉPART D'INCENDIE.

4. Pour réduire le risque de départ d'incendie, n'entreposez pas et

n'utilisez pas d'essence ou d'autres produits inflammables sous forme de liquide ou de vapeurs à proximité du radiateur.

5. La structure de montage au plafond ou au mur et les dispositions d'ancrage doivent avoir une résistance suffisante pour supporter le poids du radiateur et de son support de montage. Consultez les Spécifications pour le poids total de radiateur.
6. Le radiateur ne doit être monté que pour un flux d'air horizontal. Le radiateur peut être monté à au moins 7" (231,4 cm) au-dessus du sol, pour éviter un contact accidentel avec la pale de ventilateur qui pourrait causer une blessure.
7. Gardez au moins 5" (152,4 cm) d'espacement sur l'avant du radiateur. Référez-vous à la Figure 2 pour les besoins en espacement sur les côtés, en haut et en bas.
8. Ne montez pas de thermostat de type au mercure directement sur le radiateur. La vibration pourrait causer un dysfonctionnement du radiateur.
9. La grille de sortie d'air est déterminée en usine avec ses volets fixés à un angle de 45°. C'est l'angle minimal permis pour éviter une surchauffe potentielle. Ces volets peuvent être ouverts jusqu'à 90° si vous le souhaitez pour permettre un meilleur envoi d'air, en écartant chaque volet vers l'extérieur. Voyez la Figure 3.

- D. Soit dirigé le long du côté face au vent quand l'installation est dans un bâtiment soumis à un vent dominant.

Placez le thermostat sur des cloisons de séparation intérieures ou des poteaux, à l'écart des courants d'air froids, des sources de chaleur intérieures et à distance des évacuations d'air du radiateur.

INSTRUCTIONS D'INSTALLATION

Généralités

Instructions de localisation du radiateur:

Disposez les radiateurs de façon à ce que leur flux d'air envoyé :

- A. Soit soumis à un minimum d'interférence venant de colonnes, machines ou cloisons.
- B. Passe sur les murs exposés sans souffler directement dessus.
- C. Ne soit pas dirigé vers des occupants de la pièce en chauffage de confort.

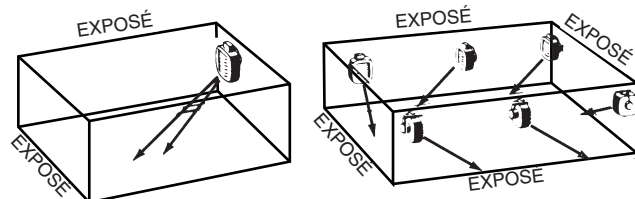


Figure 1

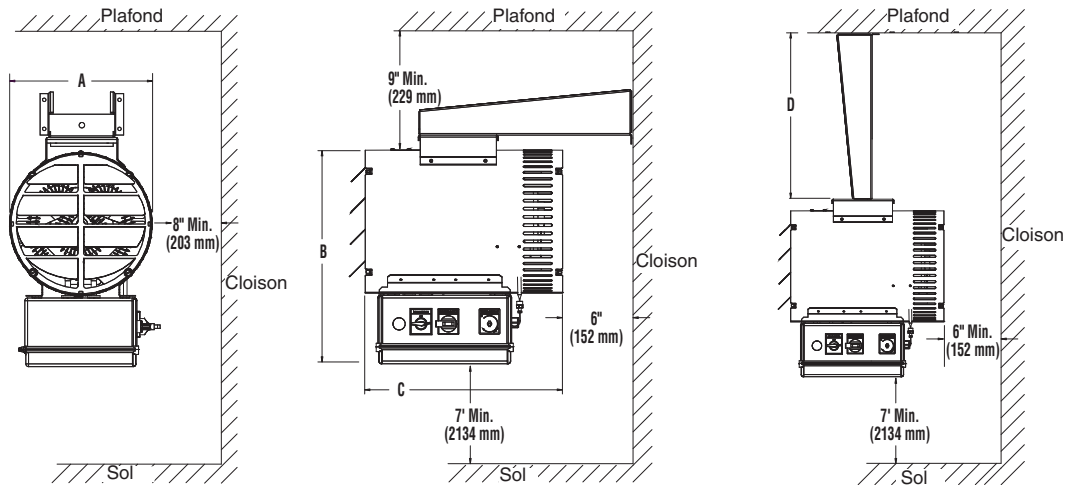


Figure 2

| kW | Dimension en pouces (mm) | | | |
|-----------|--------------------------|------------|----------|------------|
| | A | B | C | D |
| 2-10 | 13 (330) | 19.5 (495) | 18 (457) | 19.5 (495) |
| 12.5-39.0 | 20 (508) | 31 (787) | 27 (686) | 24.2 (615) |

Des petites pièces peuvent être réchauffées avec un seul radiateur. Quand deux murs sont exposés, le radiateur doit être monté comme c'est montré en Figure 1.

Des pièces plus grandes nécessitent l'installation de plusieurs radiateurs. Le nombre et la capacité des radiateurs sont à déterminer en fonction du volume de bâtiment et de la surface en mètres carrés des zones à réchauffer. Disposez les radiateurs pour fournir une ventilation du périmètre, chaque radiateur renforçant le flux d'air du précédent.

Montage de radiateurs avec support de montage universel fourni

AVIS — Ces radiateurs sont conçus pour un montage au plafond ou sur un mur avec envoi d'air horizontal uniquement. Tout autre mode de montage annulerait la garantie.

- Hauteur au-dessus du sol
 - Dans des zones où la hauteur de plafond fait plus de 12 pieds (365,8 cm), la hauteur de montage recommandée est d'environ 10 pieds (304,8 cm), du sol au dessous du radiateur.
 - Pour des hauteurs de plafond de 12 pieds (365,8 cm) ou moins, la hauteur de montage maximale est déterminée par l'utilisation du support de montage offert avec ces radiateurs. L'écartement par rapport au plafond doit être au moins de 9" (22,9 cm). (Voyez la Figure 2).
 - Dans tous les cas la hauteur de montage minimale est de 7 pieds (213,4 cm) du sol au dessous du radiateur. (Voyez la Figure 2).
- Écartement par rapport à des parois adjacentes (Voyez la Figure 2).
 - De l'arrière de l'enceinte au mur d'adossement, 6" (15,2 cm) au minimum.
 - Du côté de l'enceinte au mur latéral, 8" (20,3 cm) au minimum.

REMARQUE : Si deux radiateurs ou plus sont activés dans le même espace clos, leurs décharges d'air doivent être dirigées pour contribuer au mouvement de la masse d'air afin d'assurer une dispersion homogène de la chaleur.

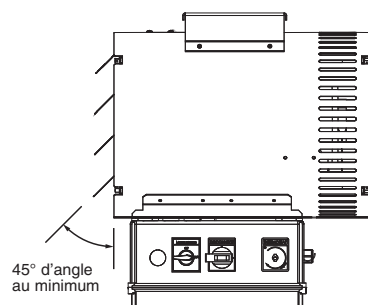


Figure 3 - Réglage des volets

Câblage

Référez-vous au schéma de câblage fourni avec le radiateur.

Ce schéma de câblage se trouve sur l'intérieur de la porte du compartiment de câblage. Pour toute question, veuillez contacter le service technique au 800-642-4328. Ayez sous la main votre référence de modèle, que vous trouvez sur sa plaque signalétique.

CAUTION ⚠

TOUS LES CONDUITS ET RACCORDS ÉLECTRIQUES DOIVENT ÊTRE LISTÉS POUR DES APPLICATIONS ÉTANCHES, AFIN DE MAINTENIR LA CLASSIFICATION NEMA 4X DU COFFRET, QUI ÉVITE QUE DE L'EAU ENVOYÉE PAR JET N'ENTRE DANS LE BOÎTIER ÉLECTRIQUE.

REMARQUE : Tout le câblage électrique doit être effectué par une personne qualifiée, en conformité avec la norme américaine (NEC) et les normes locales.

NOTE IMPORTANTE - Couple des bornes à vis d'installation : Durant le transport il est possible que les connexions par cosses à visser se soient desserrées. Après l'installation, avant de mettre sous tension l'appareil de chauffage, vérifiez toutes les connexions par borne à vis, leur serrage doit être à un couple d'au moins 35 in-lbs. (3,9 N-m). Un outil est inclus pour resserrer les vissages des cosses dans les endroits difficiles à atteindre.

⚠ AVERTISSEMENT ⚠

TOUS LES CONDUITS ET RACCORDS ÉLECTRIQUES DOIVENT ÊTRE LISTÉS POUR DES APPLICATIONS ÉTANCHES, AFIN DE MAINTENIR LA CLASSIFICATION NEMA 4X DU COFFRET, QUI ÉVITE QUE DE L'EAU ENVOYÉE PAR JET N'ENTRE DANS LE BOÎTIER ÉLECTRIQUE.

- Branchez le radiateur sur une alimentation secteur conforme (tension/ampérage/fréquence) à la spécification de la plaque signalétique.
- Tous les radiateurs sont fournis avec des borniers de commandes et l'alimentation secteur pour les raccordements par le client.
- Des protections contre une surchauffe sont assurées par une coupure thermique automatique (coupure avec restauration manuelle en option) qui ouvre le circuit électrique d'alimentation si le flux normal d'air est gêné ou obstrué. Le dispositif réactive automatiquement le radiateur si la cause de l'obstruction est éliminée. En cas de dispositif optionnel à restauration manuelle, il faut déterminer et solutionner la cause avant de réactiver.

⚠ AVERTISSEMENT ⚠

LE CONCEPTEUR DU SYSTÈME EST RESPONSABLE DE LA SÉCURITÉ DE CET ÉQUIPEMENT, ET DOIT INSTALLER DES CONTRÔLES DE SECOURS ET DES DISPOSITIFS DE SÉCURITÉ AVEC SES APPAREILS BLESSURES CORPORELLES OU DES DÉGÂTS MATÉRIELS, DES CONTRÔLES DE SECOURS SONT DE CHAUFFAGE ÉLECTRIQUES. LÀ OÙ DES CONSÉQUENCES DE PANNE PEUVENT ENTRAÎNER DES ESSENTIELS.

4. Les radiateurs sont équipés d'une commande de temporisation de ventilateur. Cette commande fait poursuivre l'activation du ventilateur un court délai après la désactivation des éléments de chauffe, afin de dissiper leur chaleur résiduelle.

⚠ AVERTISSEMENT ⚠

LE SENS DE ROTATION DE LA PALE DE VENTILATEUR DOIT ÊTRE VÉRIFIÉ. S'IL N'Y A PAS DE FLUX D'AIR QUI SORT DE LA GRILLE D'ÉVACUATION, PERMUTEZ DEUX DES TROIS FILS D'ARRIVÉE DE L'ALIMENTATION, SUR LES MODÈLES EN SECTEUR TRIPHASÉ UNIQUEMENT.

Équipement optionnel

- **Thermostat intégré** (type à bulbe ou capillaire) pour un contrôle automatique de la température. Le thermostat contrôle simultanément les éléments de chauffe et le ventilateur pour atteindre et maintenir la température fixée.
Son réglage bas (Lo) du thermostat est pour environ 40°F (4,4 °C) et son réglage haut (Hi) pour environ 90°F (32,2 °F).
- **Commutateur de mode** (radiateur activé, radiateur désactivé, ventilation uniquement) fait passer un flux d'air, toute en faisant chauffer ou non les éléments. Ce commutateur est accessible depuis l'extérieur de l'enceinte NRMA 4X.
- **Voyant indicateur** pour signaler que les éléments de chauffe sont activés.
- **Fusible interne**
- **Détecteur de limite à restauration manuelle**
- **Commutateur M/A (On/Off)**
- Pour trouver un schéma de câblage contenant ces options, voyez celui collé sur l'intérieur du couvercle du boîtier de raccordement.

INSTRUCTIONS D'UTILISATION

1. Le radiateur doit être correctement installé avant d'être mis en marche.
2. Pour contrôler l'installation, passez le commutateur de mode en position d'arrêt (Off). Envoyez l'alimentation secteur vers le radiateur à partir du tableau de distribution en amont et constatez que le radiateur ne fonctionne pas. Si le radiateur chauffait déjà, débranchez-le et vérifiez le câblage.
3. Faites tourner la consigne du thermostat en sens horaire sur la position de demande de chauffe la plus forte. Avec son commutateur de mode toujours en position d'arrêt (Off) le radiateur ne chauffe pas.
4. Passez ce commutateur de mode en position de ventilation uniquement. Le ventilateur doit démarrer et souffler de l'air non réchauffé.
5. Passez ce commutateur de mode en position de chauffe. Le ventilateur doit s'activer et souffler de l'air réchauffé par les éléments du radiateur.
6. Le radiateur doit être laissé en fonctionnement dans ce dernier mode avec la consigne de thermostat à une valeur de température élevée ou à fond, jusqu'à ce que la température de la pièce atteigne le niveau voulu. Le réglage du thermostat doit alors être ramené en sens antihoraire jusqu'à la désactivation des éléments de chauffe (un déclic est audible). Cela devrait permettre au thermostat d'activer/désactiver par cycles le radiateur afin de maintenir cette température. Des ajustements fins peuvent être nécessaires pour obtenir la température ambiante désirée dans la pièce. Le fait de tourner légèrement le réglage de thermostat en sens horaire élèvera un peu la température ambiante, en sens antihoraire l'abaissera un peu.

REMARQUE: Une temporisation de ventilateur intégrée prolongera son activation une fois que les éléments de chauffe sont désactivés, afin de dissiper leur chaleur résiduelle.

REMARQUE: Si une option de commutateur M/A est fournie, ce commutateur sera accessible depuis l'extérieur du tableau de commandes et sera marqué ON et OFF. En position d'arrêt OFF le radiateur ne fonctionnera pas.

REMARQUE: Si une option de restauration manuelle de la coupure sur dépassement de limite est fournie, un bouton de restauration marqué RESET sera accessible sur le tableau de commandes. Ce dispositif de sécurité ne déclenchera que si le radiateur passe en surchauffe.

⚠ AVERTISSEMENT ⚠

NE TOUCHEZ PAS ET NE CONTOURNEZ PAS LES LIMITES DE SÉCURITÉ À L'INTÉRIEUR DU RADIATEUR .

INSTRUCTIONS D'ENTRETIEN

Il est important de garder propre le radiateur. Votre radiateur vous fournira des années de bon service et de confort avec juste un minimum de soins. Pour assurer son fonctionnement efficace, suivez les instructions simples ci-dessous :

⚠ AVERTISSEMENT ⚠

TOUTE INTERVENTION DE SERVICE AU-DELÀ D'UN SIMPLE NETTOYAGE, QUI NÉCESSITE UN DÉMONTAGE, DEVRA ÊTRE RÉALISÉE PAR DU PERSONNEL DE SERVICE QUALIFIÉ.

⚠ AVERTISSEMENT ⚠

POUR RÉDUIRE LE RISQUE DE DÉPART D'INCENDIE ET DE COMMOTION ÉLECTRIQUE OU DE BLESSURE, DÉBRANCHEZ TOUTE ALIMENTATION ÉLECTRIQUE ALLANT AU RADIATEUR EN AMONT AU PANNEAU DE SERVICE, ET VÉRIFIEZ QUE L'ÉLÉMENT DE CHAUFFE EST FROID AVANT D'INTERVENIR POUR DU SERVICE OU DE L'ENTRETIEN..

Instructions de nettoyage par l'utilisateur :

1. Une fois que le radiateur est froid, vous pouvez utiliser un aspirateur avec son accessoire brosse pour éliminer la poussière et les peluches des surfaces extérieures du radiateur, y compris les ouvertures de la grille.
2. Avec un chiffon humide, enlevez poussière et peluche de la grille et des surfaces extérieures.
3. Remettez le radiateur sous tension et vérifiez son bon fonctionnement.

Instructions de nettoyage d'entretien :

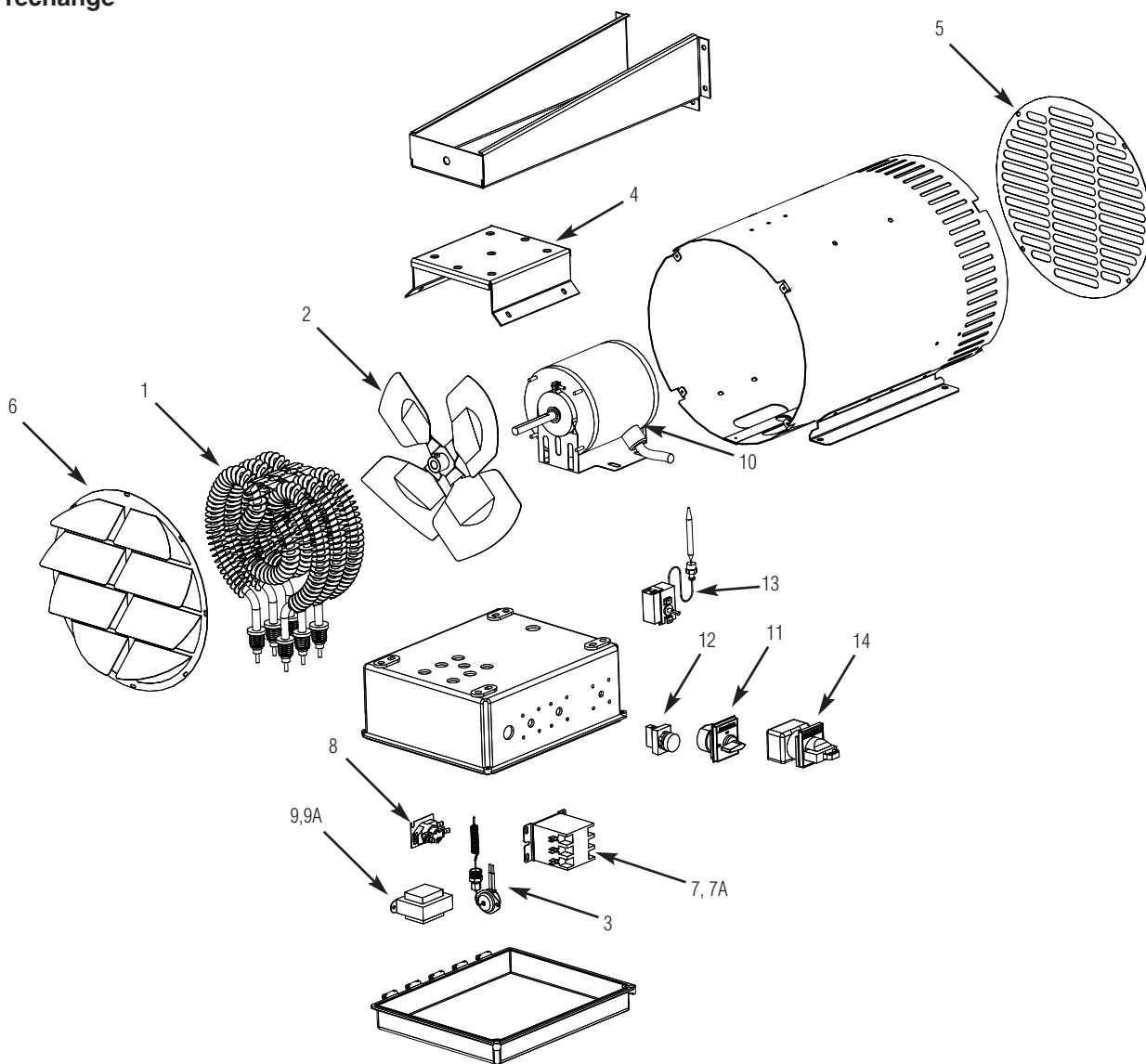
(Ne doit être exécuté que par du personnel de service qualifié)

Au moins une fois par an le radiateur doit être nettoyé et vérifié par une personne de service qualifiée afin d'assurer un fonctionnement sûr et efficace. Cela doit inclure si nécessaire l'aspiration des poussières et débris des éléments et du ventilateur, et un contrôle du bon serrage de tous les raccords par cosses à visser, avec un couple recommandé de 35 in-lbs. (3.9 N-m) en utilisant le ou les outils pour les cosses difficiles à atteindre si nécessaire. Une fois le nettoyage et le service terminés, le radiateur doit être complètement remonté et son bon fonctionnement vérifié.

IMPORTANT NOTE: Pour des radiateurs utilisés dans une application avec arrosage, il est recommandé que périodiquement après un arrosage ayant atteint le radiateur (étant coupé à son panneau de commande) le couvercle du compartiment de câblage soit ouvert et l'intérieur inspecté pour vérifier l'absence d'infiltration d'eau. Si de l'eau est découverte dedans, le radiateur doit être réparé par un électricien qualifié pour s'assurer que les joints d'étanchéité sont bien en place.

Durant chaque nettoyage, tous les joints sont à inspecter pour chercher d'éventuels dommages, car il est critique qu'ils puissent préserver une étanchéité à l'eau. Si des dommages sont découverts (comme des déchirures ou craquelures), il faut remplacer ces joints ou les réparer avec un produit d'étanchéité adéquat aux silicones.

Pièces de rechange



Éléments (1)

| Radiateur KW | 120 V | 208 V | 240 V | 277 V | 480 V | 600 V |
|--------------|----------------|----------------|----------------|----------------|---|----------------|
| 2 | 1802-11012-001 | 1802-11012-002 | 1802-11012-003 | - | - | |
| 3 | 1802-11012-001 | 1802-11012-002 | 1802-11012-003 | 1802-11012-004 | 1802-11012-004 | |
| 5 | - | 1802-11012-005 | 1802-11012-006 | 1802-11012-007 | 1802-11012-008 1PH 1802-11012-007 3 PH | 1802-11012-027 |
| 7.5 | - | 1802-11012-011 | 1802-11012-012 | 1802-11012-009 | 1802-11012-008 | 1802-11012-027 |
| 10 | - | 1802-11012-010 | 1802-11012-011 | 1802-11012-012 | 1802-11012-013 | 1802-11012-028 |
| 12.5 | - | 1802-11013-001 | 1802-11013-002 | - | 1802-11013-003 | 1802-11013-021 |
| 15 | - | 1802-11013-004 | 1802-11013-005 | - | 1802-11013-006 | 1802-11012-027 |
| 20 | - | - | 1802-11013-007 | - | 1802-11013-008 | 1802-11012-010 |
| 25 | - | 1802-11013-001 | 1802-11013-002 | - | 1802-11013-003 | 1802-11012-011 |
| 30 | - | 1802-11013-004 | 1802-11013-005 | - | 1802-11013-006 | 1802-11013-022 |
| 39 | - | - | - | - | 1802-11013-009 | 1802-11013-023 |

Parties mécaniques et coupure – En fonction de la puissance

| Puissance de radiateur en kW | Pale de ventilateur (2) | Limite (3) | Support de montage (4) | Grille d'amission (5) | Grille d'évacuation (6) |
|-----------------------------------|-------------------------|----------------|------------------------|-----------------------|-------------------------|
| 2 kW, 3 kW, 5 kW, 7.5 kW | 1210-11007-003 | 4520-11013-000 | 1215-11081-000 | 2504-11018-000 | 2504-11019-001 |
| 10 kW | 1210-11007-002 | | | | |
| 12.5 kW | 1210-11008-000 | 4520-11013-001 | 1215-11081-001 | 2504-11020-000 | 2504-11021-001 |
| 15 kW, 20 kW, 25 kW, 30 kW, 39 kW | 1210-11008-001 | | | | |

Pièces électriques

| Puissance de calefactor (kW) | Tension secteur línea del calefactor | Tension de control del calefactor | Phase du calefactor | Contacteur (7) | Contacteur (7A) | Relais de ventilador Relé (8) | Transformador (9) | Transformador (9A) | Bornier (No se muestra) |
|--|--------------------------------------|-----------------------------------|---------------------|----------------|-----------------|-------------------------------|-------------------|--------------------|---|
| 2kw, 3kw, 5kw, 7.5kw, 10kw | 120 | 24 | 1 | 5018-0006-000 | N/A | 5018-11005-000 | 5814-0003-006 | N/A | 5823-0004-002 (480V also req 2900-0030-000) |
| | 208 | 24 | 1 or 3 | | | | 5814-0003-000 | | |
| | 240 | 24 | | | | | 5814-0003-000 | | |
| | 277 | 24 | 1 | | | | 5814-0003-001 | | |
| | 480 | 24 | 1 or 3 | | | | 5814-0003-002 | | |
| | 600 | 24 | 3 | | | | 5018-0006-000 | | |
| 2kw, 3kw, 5kw, 7.5kw, 10kw | 120 | 120 | 1 | 5018-0006-001 | N/A | 5018-11005-001 | N/A | N/A | |
| | 208 | 120 | 1 or 3 | | | | 5814-0003-003 | | |
| | 240 | 120 | | | | | 5814-0003-003 | | |
| | 277 | 120 | 1 | | | | 5814-0003-004 | | |
| | 480 | 120 | 1 or 3 | | | | 5814-0003-005 | | |
| | 600 | 120 | 3 | | | | 5018-0006-001 | | |
| Unfused large units 12.5kw,15kw, | 208 | 24 | 3 | 5018-0006-000 | 5018-11005-000 | | 5814-0003-000 | | |
| | 240 | 24 | | | | | 5814-0003-000 | | |
| | 480 | 24 | | | | | 5814-0003-002 | | |
| | 600 | 24 | | | | | 5814-0003-000 | | |
| | 208 | 120 | 3 | 5018-0006-001 | 5018-11005-001 | | 5814-0003-003 | | |
| | 240 | 120 | | | | | 5814-0003-003 | | |
| | 480 | 120 | | | | | 5814-0003-005 | | |
| | 600 | 120 | | | | | 5814-0003-003 | | |
| Fused large units | 208 | 24 | 1 | 5018-0006-000 | 5018-11005-000 | | 5814-0003-000 | | 480034002 |
| | 240 | 24 | | | | | 5814-0003-000 | | |
| | 480 | 24 | | | | | 5814-0003-002 | | |
| | 208 | 120 | 1 | 5018-0006-001 | 5018-11005-001 | | 5814-0003-003 | | |
| | 240 | 120 | | | | | 5814-0003-003 | | |
| | 480 | 120 | | | | | 5814-0003-005 | | |

Pièces électriques (Suite)

| Puissance de radiateur en kW | Tension secteur de radiateur | Tension de commande de radiateur | Phase du secteur de radiateur | Moteur (10) | Commutateur de mode (11) (Accessoire) | Transformateur (9) (Accessoire) | | |
|---------------------------------------|------------------------------|----------------------------------|-------------------------------|----------------|---------------------------------------|---------------------------------|--|----------------|
| 2kw, 3kw, 5kw, 7.5kw, 10kw | 120 | 24 | 1 | 3900-11029-002 | 5216-11016-000 | 3510-11009-000 | | |
| | 208 | 24 | 1 or 3 | 3900-11029-000 | | | | |
| | 240 | 24 | | | | | | |
| | 277 | 24 | 1 | 3900-11029-001 | | | | |
| | 480 | 24 | 1 or 3 | 3900-11029-000 | | | | |
| | 600 | 24 | 3 | | | | | |
| 2kw, 3kw, 5kw, 7.5kw, 10kw | 120 | 120 | 1 | 3900-11029-002 | | 3510-11009-001 | | |
| | 208 | 120 | 1 or 3 | 3900-11029-000 | | | | |
| | 240 | 120 | | | | | | |
| | 277 | 120 | 1 | 3900-11029-001 | | | | |
| | 480 | 120 | 1 or 3 | 3900-11029-000 | | | | |
| | 600 | 120 | 3 | | | | | |
| Unfused large units 12.5kw,15kw | 208 | 24 | 3 | 3900-11031-000 | | 3510-11009-000 | | |
| | 240 | 24 | | | | | | |
| | 480 | 24 | | | | | | |
| | 600 | 24 | 3 | | | | | |
| | 208 | 120 | 3 | 3900-11031-000 | | 3510-11009-001 | | |
| | 240 | 120 | | | | | | |
| 480 | 120 | | | | | | | |
| Fused large units | 600 | 120 | 3 | | 5216-11016-000 | 3510-11009-000 | | |
| | 208 | 24 | 1 | 3900-11031-000 | | | | |
| | 240 | 24 | | | | | | |
| | 480 | 24 | | | | | | |
| | 208 | 120 | 1 | 3900-11031-000 | | | | 3510-11009-001 |
| | 240 | 120 | | | | | | |
| 480 | 120 | | | | | | | |

Interrupteur de coupure (14)

| Calibre en courant | N° de pièce |
|--------------------|----------------|
| 40 | 4529-11009-031 |
| 60 | 4529-11009-032 |
| 100 | 4529-11009-033 |
| 125 | 4529-11009-034 |

Divers

| Description | N° de pièce |
|--------------------|----------------|
| Thermostat (13) | 5813-11010-000 |
| Joint (non montré) | 5206-11009-000 |

GARANTIE LIMITÉE

Tous les produits fabriqués par Marley Engineered Products sont garantis contre les défauts de fabrication et de matériau pendant une année à compter de leur date d'installation. Cette garantie ne couvre pas les dommages causés par un accident, une mauvaise utilisation ou une altération et ne s'applique pas si la tension d'alimentation dépasse de 5% ou plus celle de la plaque signalétique, si l'équipement est mal installé, mal câblé ou mal entretenu, contrairement aux instructions d'installation et d'utilisation du produit. Toutes les réclamations sous garantie doivent être accompagnées d'une preuve de date d'installation.

Le client sera responsable de tous les coûts encourus pour enlever et réinstaller le produit, ce qui inclut les frais de main d'œuvre et les frais de port encourus pour retourner le produit au centre de réparation agréé par Marley le plus près ou au centre de réparation de la société Marley Engineered Products. Sous réserve des restrictions figurant dans cette garantie, tout appareil défectueux doit être retourné au centre de réparation agréé par Marley le plus près ou au centre de réparation de la société Marley Engineered Products. Il sera ensuite gratuitement réparé ou remplacé, à notre discrétion, et les frais de port de retour seront pris en charge par Marley. Il est entendu que cette réparation ou ce remplacement constitue le seul et unique recours disponible auprès de la société Marley Engineered Products.

LA GARANTIE CI-DESSUS REMPLACE ET PRÉVAUT SUR TOUTE AUTRE GARANTIE EXPRESSE OU IMPLICITE ET TOUTE GARANTIE IMPLICITE DE COMMERCIALISATION OU DE CONVENANCE À UN USAGE QUELCONQUE ALLANT AU-DELÀ DE LA GARANTIE EXPRESSE CI-DESSUS EST PAR LES PRÉSENTES RÉFUTÉE ET EXCLUE DE CETTE ENTENTE. LA SOCIÉTÉ MARLEY ENGINEERED PRODUCTS NE PEUT SOUS AUCUNE CIRCONSTANCE ÊTRE RESPONSABLE DE QUELQUE DOMMAGE ACCESSOIRE ASSOCIÉ À CE PRODUIT, SANS QU'IL SOIT POSSIBLE D'INVOQUER UNE NÉGLIGENCE, UN DÉLIT CIVIL, UNE RESPONSABILITÉ STRICTE OU UNE OBLIGATION CONTRACTUELLE.

Puisque certaines juridictions interdisent d'exclure ou de limiter les dommages indirects et accessoires, il est possible que les exclusions et restrictions ci-dessus ne s'appliquent pas à vous. Cette garantie vous accorde des droits juridiques spécifiques, mais il est possible que vous ayez également d'autres droits selon votre lieu de résidence.

Pour connaître l'adresse du centre de réparation agréé le plus près, contactez la société Marley Engineered Products à Bennettsville (Caroline du Sud) au 1-800-642-4328. Les produits retournés à l'usine doivent être accompagnés d'un numéro d'autorisation de retour et d'une étiquette d'identification de service, tous deux disponibles auprès de la société Marley Engineered Products. Lorsque vous demandez une autorisation de retour, indiquez tous les numéros de catalogue indiqués sur les produits.

POUR OBTENIR UNE RÉPARATION OU DES PIÈCES SOUS GARANTIE, DE MÊME QUE DES INFORMATIONS GÉNÉRALES

1. Réparations et pièces sous garantie **1-800-642-4328**
2. Achat de pièces de rechange **1-800-654-3545**
3. Informations générales sur les produits **www.marleymep.com**

Remarque : Lorsque vous demandez une intervention, ayez toujours en main les informations suivantes :

1. Numéro de modèle du produit
2. Date de fabrication
3. Numéro de pièce ou description



Marley®
Engineered Products

470 Beauty Spot Rd. East
Bennettsville, SC 29512 USA