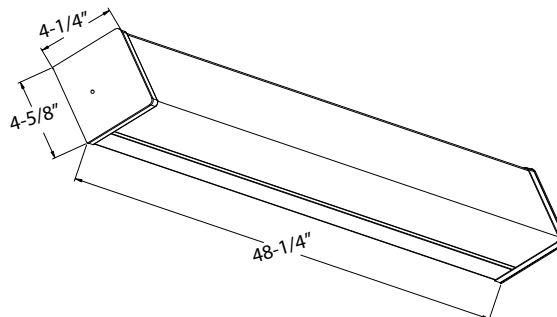


# 4116

120V-277V Universal Voltage

Catalog #:		Type
Project:		Date
Prepared by:		

## 4' Stairwell - Non-Dimmable



### DESCRIPTION

Safety, reliability, and efficiency are just a few things that come to mind when thinking stairwell lighting. Our LED stairwell lights deliver just that in a simple and practical design. You can increase your energy savings with the optional Daylight/Occupancy sensor by only lighting the stairwell when occupied or when not enough ambient lighting is available. With the available Emergency Battery Pack option, this increases your available applications for this useful fixture.

### DESIGN FEATURES

#### Construction

- Heavy-duty steel housing
- Frosted Acrylic Lens

#### Electrical

- 120V-277V Universal Voltage
- Non-dimmable
- 38W | 4150 lms (delivered)
- 50,000 hours projected life
- 4000K | 80 CRI
- 120° beam angle

#### Emergency (EM) Option

- RP Lighting 4782EM emergency battery back up factory installed (see separate 4782EM spec sheet for further details)
- Emergency Output = 9W
- Emergency lumen output - 9W x fixture L/W (109 L/W) = 980 nominal lumens

#### Installation

- Ceiling or wall mount

#### Dimensions

- 48-1/4" L x 4-1/4" W x 4-5/8" H

#### Daylight/Occupancy Sensor (OS) Option

- Microwave Sensor installed behind lens
  - o Daylight Sensor (factory default = Disabled)
  - o Ambient Range = 0.5 foot-candle - 14 foot-candle
  - o Stand-by Dimming Level = 10%, 20%, or 50%
- Occupancy Sensor
  - o Detection Area (factory default = 100%)
    - Settings = 10%; 50%; 75%; 100%
  - o Hold Time at 100% (factory default = 30 seconds)
    - Settings = 5s, 30s, 1m, 3m, 20m, 30m
  - o Stand-by (factory default = 5 seconds)
    - Settings = 0s, 5s, 5m, 30m, 60m
- See Installation Instructions for further details

#### Certifications

- cETLus Certified
- LED Lamps: 5 Year Limited Warranty
- Other components: 1 Year Limited Warranty

### ORDERING GUIDE

Example: 4116WH-OS-EM

Model #	Finish	Sensor Option	EM Option
4116	WH		
4116	WH : White	(blank) : no sensor option -OS : adds Daylight/Occupancy Sensor	(blank) : no EM option -EM : add EM Battery back up

\* For 2' Stairwell see 4115 or 4115DM

\* For 4' Dimming Stairwell see 4116DM

TEL: 800.937.6925 | Fax: 800.207.9509 | [www.rplighting.com](http://www.rplighting.com)

Specifications and dimensions subject to change without notice.

9/22/21 R1



RP LIGHTING · FANS