

INSTALLATION INSTRUCTIONS

LED FLUSH MOUNT

Model: 4350

120VAC 60HZ Input, Dimmable

www.rplighting.com


RP LIGHTING • FA

READ AND FOLLOW SAFETY INFORMATION

- WARNING** – Turn off the main power at the circuit breaker before installing and servicing the fixture to prevent possible injury from electric shock.
- All electrical connections must be in accordance with local and National Electrical Code (N.E.C.) standards. If you are unfamiliar with proper electrical wiring connections, obtain the services of a qualified electrician.

ASSEMBLY & INSTALLATION (see FIG.1)

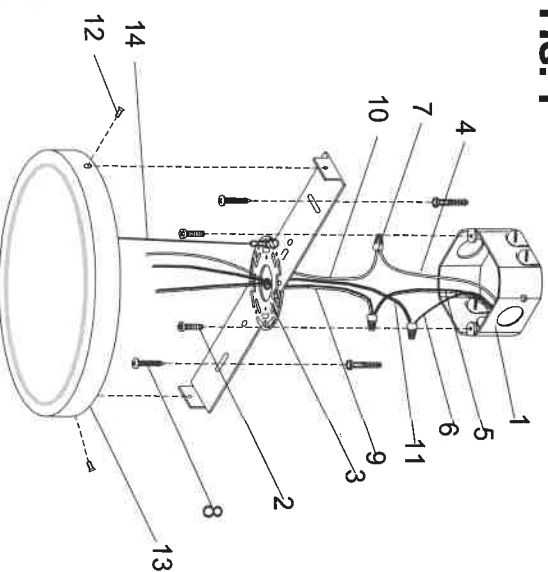
Remove the fixture and the mounting package from the box and make sure that no parts are missing by referencing the illustrations on the installation instructions.

- Place the mounting plate(3) over the outlet box(1), align the mounting slots of the wall plate with holes of the outlet box as shown.
- Mark the location of the keyhole slots of the mounting plate on ceiling. Drill a 1/4" holes at the narrow end of each keyhole slot marking on the ceiling. Carefully hammer anchor into each drilled hole.
- Replace the mounting plate(3) over outlet box, align the narrow end of each keyhole slot with its respective anchor. Feed the anchor screws (8) through keyhole slots and thread them into the anchors until mounting plate is flush against ceiling. Additionally, fasten the mounting plate to thread holes in outlet box using two outlet box screws, as shown.
- Pull the supply wires (4 &5) and house ground wire (6) out from the outlet box (1) before attaching mounting plate to outlet box. Make electrical connections, connect the white fixture wire (10) to the white supply wire (4) and the black fixture wire (9) to the black supply wire (5) using wire nut (7). Connect the fixture ground wire (11) to the supply ground wire (6) together using wire nut (7). Wrap all wire connections with electrical tape to ensure secure connection.
- Place the fixture base (13) over the mounting plate (3) and secure by using two fixture screws (12). Installation is complete, restore power at the circuit breaker and turn light switch on to activate this fixture.

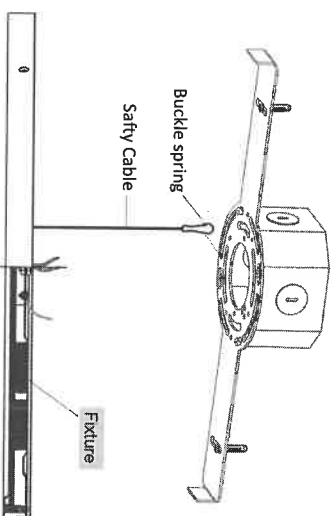
NOTE

- Replacement: This LED product has no bulb to replace.
 - Care & Maintenance: Use a clean, soft cloth to wipe the surface of the fixture.
- DO NOT** use any cleaners with chemicals, solvents or harsh abrasives.

FIG. 1



1. OUTLET BOX (EXCLUDED)
2. OUTLET BOX SCREWS
3. MOUNTING PLATE
4. WHITE SUPPLY WIRE
5. BLACK SUPPLY WIRE
6. HOUSE GROUND WIRE
7. WIRE NUTS x3pcs
8. ANCHOR & SCREWS x4
9. BLACK FIXTURE WIRE
10. WHITE FIXTURE WIRE
11. FIXTURE GROUND WIRE
12. FIXTURE SCREWS
13. FIXTURE BASE
14. SAFETY CABLE



- Dimming:** This product is compatible with most commercial residential type dimmers, dimming performance depends on dimmers.

- Recommended Dimmers**
 - Lutron MACL-153M DVL-153P SCL-153P
 - Leviton IPL06-10Z 6674-POW

WIRE CONNECTION

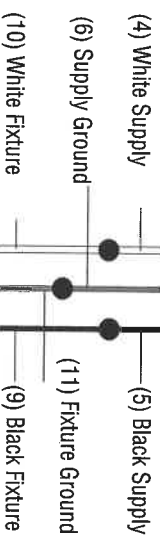


FIG. 2

WARNING

- To avoid possible fire or electrical shock, make certain no bare wire strands are exposed outside wire connections.